

Food Performance Data Set (FPDS)

Version 0.97

23 September 2010

Published by the Victorian Government Department of Health
Melbourne, Victoria

© Copyright State of Victoria 2010

This publication is copyright, no part may be reproduced by any
process except in accordance with the provisions of the *Copyright
Act 1968*.

This document may also be downloaded from the Department of
Health website at:

<http://www.health.vic.gov.au/foodsafety/>

Authorised by the State Government of Victoria, 50 Lonsdale
Street, Melbourne.

Food Performance Data Set

Contents

Food Performance Data Set	4
Introduction.....	7
Introduction.....	7
Audience.....	7
Purpose.....	7
Manual Content Summary.....	8
Scope Statement - Food Performance Dataset.....	9
Uses of the Food Performance Dataset.....	9
Contact Information.....	9
Concept	10
Diagrams/Models.....	10
Introduction.....	11
Concept specification template—instructions for use.....	12
Concept specification.....	13
Address	13
Audit Assessment	14
Complaint	15
Council	16
Enforcement	17
File Header	18
Food Recall	20
Inspection	21
Premises	22
Prosecution	23
Registration Status	24
Verdict	25
Data Elements	26
Introduction.....	26
What is a data element?	26
Types of data elements	26
Data element specification template—data collection version, guide for use.....	28
Data element specification – Business Data Elements.....	31
Address—level number—[X(5)]	31
Address—level type code—A[AAA]	33
Address—locality name—A(46)	35
Address—postcode—N(4)	37
Address—road name—X(45)	39
Address—road number 1—X(6)	41
Address—road number 2—X(6)	43
Address—road suffix—A[A]	45
Address—road type—AA[AA]	47
Address—sub-dwelling unit number—X(7)	49
Address—sub-dwelling unit type code—A[AAA]	51
Audit Assessment —Auditor ID—N(20)	53
Audit Assessment—Conducted Date—DDMMYYYY	54
Audit Assessment —ID—N(20)	55

Audit Assessment—Performed By—NN	56
Audit Assessment—Result—NN	57
Audit Assessment—Type—NN	59
Complaint—Category—NN	60
Complaint—Complaint Received Date—DDMMYYYY	62
Complaint—ID—N(20)	63
Enforcement—Action—NN	65
Enforcement—Action—NN	65
Enforcement—Action Date—DDMMYYYY	67
Enforcement—Audit Assessment ID—N(20)	68
Enforcement—ID—N(20)	70
Enforcement—Inspection ID—N(20)	71
Enforcement—Type—NN	72
Food Recall—ID—N(20)	74
Food Recall—ID—N(20)	74
Food Recall—Recall Date—DDMMYYYY	75
Food Recall—Type—NN	76
Inspection—Audit Assessment ID—N(20)	77
Inspection—Enforcement ID—N(20)	78
Inspection—ID—N(20)	79
Inspection—Inspection Date—DDMMYYYY	80
Inspection—Result—NN	81
Inspection—Type—NNNN	83
Premises—Council Registration Number—A(15)	85
Premises—Food Safety Program Type—NN	86
Premises—Registration Date—DDMMYYYY	88
Premises—Food Business Classification—NNN	89
Premises—Trading Name—X[X(99)]	92
Premises—Type—NNN	93
Premises—Water Supply—NN	95
Prosecution—ID—N(20)	96
Prosecution—Initial Court Date—DDMMYYYY	97
Prosecution—Inspection ID—N(20)	98
Prosecution—Enforcement ID—N(20)	99
Prosecution—Type—NN	100
Current Registration Status - Current Description—X[X(99)]	102
Current Registration Status - Current Registration Condition—NN	103
Current Registration Status - Current Period - Current End -DDMMYYYY	105
Current Registration Status - Current Period - Current Start -DDMMYYYY	106
Historical Registration Status - Historical Description—X[X(99)]	107
Historical Registration Status - Historical Registration Condition—NN	108
Historical Registration Status - Historical Period—Historical End - DDMMYYYY	110
Historical Registration Status - Historical Period— Historical Start - DDMMYYYY	111
Verdict—ID—N(20)	113
Verdict—Nature of Sentence—X[X(99)]	114
Verdict—Prosecution ID—N(20)	115
Verdict—Type—NN	116
Verdict—Verdict Date—DDMMYYYY	117
Data element specification - Derived Data Elements	118
Address—statistical local area (SLA)—N[9]	118
Enforcement—Type—NN	120
Data element specification - Transmission Data Elements	122
File Header—AgencyIdentifier—NNNN[N]	122
File Header—Data Collection Code—AAA[AAA]	124
File Header—Data Transmission Identifier— YYYYMMDDHHMM	125

File Header—Transmission—Record Count—N[NNNN]	127
File Header—Portion Number—N[NNN]	128
File Header—Reporting Period Calendar Year Quarter—YYYYQN	130
File Header—Transmission File Number—N[NNN]	132
File Header—Version Identifier—NNN(N)	133
Edit/validation rules	135
Edit/validation rule specification—instructions for use.....	135
Edit/validation rule specification	136
Food Performance Rules	137
File Header Rules	138
Address Rules	140
Abbreviations	141
Appendix I – Large Value Domains	142
Appendix II –Data Release and Confidentiality	143
Appendix III – Food Performance Transmission Format	145
Performance Reporting Logical Data Model.....	145
Introduction to the Performance Reporting XML Schema.....	146
Logical Data Model and XML Schema Relationships	146
Schema Module Imports	147
Schema Module Folder Structure	148
Food Performance XML Schema Files.....	149
Food Performance XML Schema Definitions	149
Food Performance Doc Schema Module	149
Information Aggregate Schema Modules	150
Qualified Data Type Schema Modules	169
Enumeration Schema Modules	188
Cross Agency Core Data Type Schema Module	281
Examples: Food Performance Data XML Instance.....	288
Example 1 : Instance of a single premises active with no other history.	288
Generic Instance XML Document	289
Transmission File Name Format.....	291

Introduction

The Victorian Competition and Efficiency Commission (VCEC) report *Simplifying the Menu: Food Regulation in Victoria 2008* recommended that the Food Act be amended. The report proposed that the Minister of Health be responsible for overseeing the performance of local governments in meeting their obligations under the Act. This recommendation was similar to those of the 2005 and 2002 Victorian Auditor reports concerning the management of food safety in Victoria.

A key recommendation of the reports relates to the need for improved accountability from both the Department of Health (the department) and all local government authorities (councils) regarding their respective performance within the food safety regulatory systems.

In 2008, the VCEC recommended a number of legislative changes which will assist in achieving an exchange and reporting of information between the various parties and provide the foundations for a Reporting Framework. The Food Act has been amended to address these recommendations.

The goals of the Reporting Framework are to:

- increase and aid the accountability of food safety regulators, enforcers and businesses;
- provide reassurance about measures undertaken by government to reduce the risks of food-related illnesses;
- enable policy makers and regulators to monitor policy effectiveness and identify trends that should be addressed in order to improve delivery of the regulations; and,
- make public performance reporting information on food compliance.

The amendments to the Act are designed to ensure a more effective surveillance of the safety of food served to the Victorian community. The food surveillance system in the state is to move more fully into a risk-based approach and analysis and reporting of food surveillance is to be improved.

Prior attempts to collate and analyse local government authorities (Councils) food surveillance and food safety activities performance activities data have been hampered by incompatible Council IT systems and lack of coordination and guidance.

The department has, in conjunction with Councils and analytical laboratories, reviewed the reporting framework for the management of food safety in Victoria. The department has now finalised the requirements for reporting under the Act as follows:

- by councils on their Mandatory food safety regulatory activities; and,
- by analytical laboratories about the results of council food sampling and surveillance activities.

It is preferred that all reporting data be collected electronically. This received in principle support from suppliers of this information with the proviso that this does not increase the workload of their data entry staff.

Audience

The audience for this Food Performance Data Dictionary (FPDD) includes:

- Department of Health staff in the food safety program responsible for the development and management of this data collection and associated documentation;
- software vendors who develop and provide software solutions for the collection, storage and reporting of data; and,
- external organisations, i.e. Councils who provide or report data to the department.

Purpose

The objective of the FPDD is to provide a common set of concepts, data elements and edit/validation rules that define the basis of activities carried out under the Food Act. The terminology is aligned to the new concepts and provisions in the amended Act. This includes the new premises classification system and associated regulatory requirements, and the compliance arrangements for each class.

The data collection/dataset (referred as Food Performance Dataset) and the reporting requirements to the department therefore reflect the reforms to the Act and practice that are designed to improve food safety regulation. The use of a common set of data elements across all council municipalities will also promote a consistent approach to the administration of the Act across the State, as provided in section 7A of the Act.

The use of the data set by all councils will be essential to ensuring that a council can meet its obligations regarding reporting and under the Act, and will also assist in the transition to the new regulatory requirements.

Use of the FPDD also supports the ease of use of data collection specifications by data collection managers, data providers and software vendors. The eventual outcome will be a more efficiently managed data collection process and the subsequent standardisation and improvement of data quality and reporting.

This guide deals with information *management*—not information *technology*. The FPDD provides specification of information requirements (in a standardised way), which is an important step that precedes the development or delivery of information technology solutions.

Manual Content Summary

The FPDD is divided into four sections, plus two appendices. A detailed contents list is provided at the beginning of each section. A broad overview of each section is provided below.

Section 1: Introduction

Includes introductory comments and a background to the development of the Food Performance Dataset (FPDS).

Section 2: Concept

Provides:

Concept definitions that form the foundation of the data collection
Diagrams outlining the concepts, and the concepts and data elements
Explanation of the derived items

Section 3: Data Elements

Presents that data specifications for reporting the FPDS. It includes definitions for each required data element. The data elements are arranged in alphabetical order within sections (Business Data Elements and Transmission Data Elements).

Section 4: Edit/validation Rules

Summarises the business rules that apply to the data items.

Appendix 1: Large Value Domains (Supplementary Code Lists)

Draws together the full range of code sets used in the FPDS.

Appendix 2: Data Release and Confidentiality

Discusses issues concerning the Information Privacy Act 2000, the Health Records Act 2001 and the Charter of Human Rights and Responsibilities Act 2006.

Appendix 3: Food Performance Transmission Format

Provides the specifications for generating the XML data file used to transmit FPDS data to the department.

Scope Statement - Food Performance Dataset

Under the Food Act 1984, Councils are required to report regularly to the department their food safety regulatory activities.

Councils are required to report, for the first time, within the first week of January 2011 covering activities for the 6 months from 1 July to 31 December 2010.

Subsequent reports will be collected quarterly where the report for the quarter covering 1 January 2011 to 31 March 2011 will be due in the first week of the following quarter. eg April 2011 and so on.

Though Councils are required to report on a quarterly basis, i.e. has to submit data at least once every quarter (except for the 1st collection which is six monthly), the department is prepared and can accept data to be submitted more frequently, i.e. daily, weekly, monthly, as the Council thinks fit. (Software vendors can design the reporting function with this flexibility in mind.)

Uses of the Food Performance Dataset

The data collected will be analysed to-

- assist in the development of an annual report on the food regulatory system that will inform the community, industry, the Minister and other government oversight agencies about how the Food Act 1984 is being administered by Victorian councils and the department ;
- analyse whether a risk or educative based approach to food safety regulatory activities result in increased compliance and reduction in food-related illness;
- understand the composition and profile of the Victorian regulated food industry (size, type of premises etc);
- enable Councils to compare and contrast their own food regulatory activities against state trends/average and like councils e.g. input and output measures; and,
- inform policy design and development of regulations using statistical trends analysis of emerging food regulation issues e.g. increase advent of new food premise types.

Contact Information

Contact details are listed below for further information regarding the FPDD.

Email: foodsafety@dhs.vic.gov.au

Internet: <http://www.health.vic.gov.au/foodsafety>

Staff: **Food Safety Definitions and Policy**

- Philip Montalto, Senior Food Safety Project Officer, Food Safety & Regulatory Activities, Public Health, 9096 0366.

Information Management Principles

- Catherine Perry, Manager, Health and Aged Care (H&AC) Team, IM strategy unit, 9096 1483.

Technical Matters (Transmission Requirements)

- George Lau, Systems Development Manager, Information & Systems Development, Planning & Resources, 9096 1460.

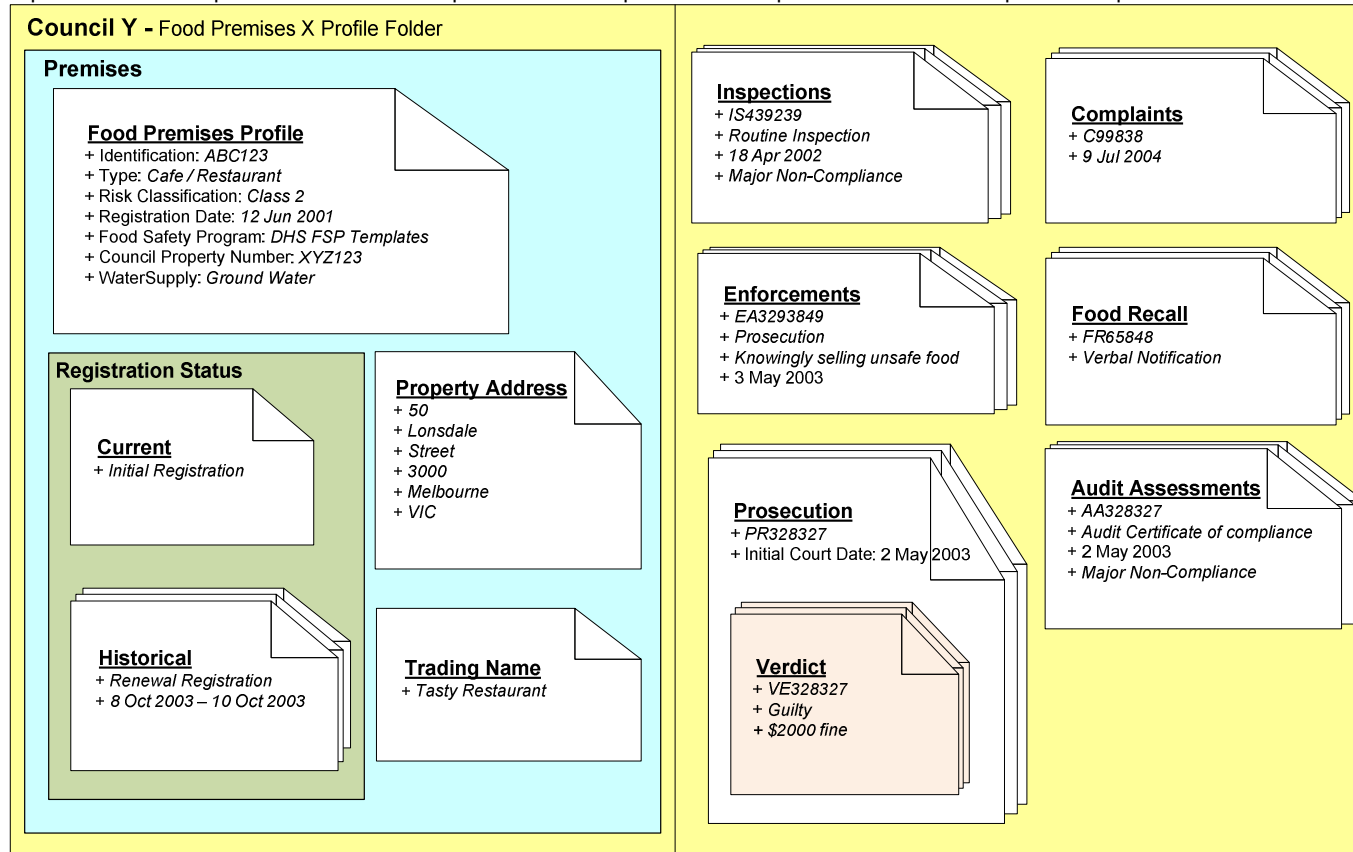
Reporting Data Requirements

- Dr Geoffrey Campbell, Manager, Food Safety Scientific Data Systems, Food Safety & Regulatory Activities, Public Health, 9096 9055.

Concept

Diagrams/Models

The diagram below is a graphical representation of the information related to a council's enforcement of the Food Act 1984. The **bold text** represents a concept used in the data captured for food premises and plain text is an example of the possible data to be included.



Introduction

A concept is a key idea, person or thing that provides context for the data collected through a data set. As defined by the IM strategy, a concept can be:

- metadata items defined nationally, including: glossary items, properties, objects, data element concepts
- other terms which require a common understanding for use within a data collection.

Concepts aid understanding, and are useful for defining:

- objects against which multiple attributes (properties, in the form of data elements) are collected; for example, 'contact' may be defined as a concept, which aids in the application of data elements, including contact date, contact delivery mode and contact client present status
- scope-related terms; for example, for some data collections it may be necessary to define, for the object of client, the following terms: asylum seekers, Medicare eligibility status—eligible persons, Medicare eligibility status—ineligible persons
- terms that may relate to specific data elements, or individual value domain values that require extended and/or repeated explanation; for example, there is a data element within the Victorian Housing Data Collection (VHDC) that confirms whether the client has any accompanying children, and where the client does have accompanying children, this affects which other data elements are reported, including the accompanying children identifier and demographic-related data elements.

The use of concepts reduces the repetition of large sections of text across multiple data elements.

A 'concept' is not synonymous with a 'data element concept'. A data element concept is specifically defined as a concept created by the union of an object class and property (see the section on data elements, below, for further discussion of object class and property). Data element concepts are not documented separately in IM strategy tools, but are a subset of concepts.

Concept specification template—instructions for use

The concept specification template (common data dictionary version) displayed below provides assistance in how to read the concepts presented in the following section.

[Concept name] instructions for use	
Proposed use	[The data collections that currently use, or are proposed to use, the concept]
<i>Identifying and definitional attributes</i>	
Definition	[A concise statement that expresses the essential nature of the concept and its differentiation from other concepts]
Concept attributes	
<i>Collection and usage attributes</i>	
Guide for use	[Provide advice or interpretation on how to use the particular concept]
<i>Source and reference attributes</i>	
Department of Health common data dictionary	Current options: 'not applicable', 'ARDD v1', 'TRDD v1', 'CCDD v3', 'CSDD v1', 'CWDD v1'.
Definition source	[For example, 'METeOR', 'ABS', 'the department (unit name)']
Definition source identifier	[Options: '<METeOR/other source identifier>', 'based on <METeOR/other source identifier>' or 'not applicable']
<i>Relational attributes</i>	
Related concepts	[A list of related concepts that affect, or are affected by, this concept]
Related data elements	[A list of related data elements that affect, or are affected by, this concept]
Other related information	[A list of related information, not including concepts, data elements or edits/data validation that affect, or are affected by, the concept]
<i>Administrative attributes</i>	
Version	For example, 'version 1.0', 'not applicable'.
Collection start date	For example, '1 July 2009'.
<i>Notes for data collection manager</i>	
<i>[Notes to guide the potential application of the concept]</i>	

Concept specification

Concepts for the food performance data dictionary are listed in alphabetical order:

Address

Identifying and definitional attributes

Definition The referential description of a location where an entity is located or can be otherwise reached or found.
For the FPDS, it refers to the operating location of the premises.

Concept attributes

Collection and usage attributes

Guide for use The following are attributes commonly used in the formation of a full address:

- address line (this is a composite data element containing many attributes of the specific location of a full address, and is not collected separately)
- address type
- non-Australian state/province
- postal delivery point identifier
- postcode—Australian
- postcode—international
- suburb/town/locality.

Some attributes of an address located within Australia also provide the elements to determine the statistical local area (SLA), which enables:

- comparison of the use of services by persons residing in different geographical areas
- characterisation of catchment areas and populations for facilities for planning purposes
- documentation of provision of services to clients who reside in other states or territories.

The address is also a relevant element in the unambiguous identification of a health care client and a health care provider.

Source and reference attributes

Department of Health common data dictionary ARDD v1
Definition source METeOR
Definition source identifier [327278—Address](#)

Relational attributes

Related concepts Food Premises
Related data elements Address – Level Number, Address – Level Type, Address – Locality Name, Address – Postcode, Address – Road Name, Address – Road Number 1, Address – Road Number 2, Address – Road Suffix, Address – Road Type, Address – Sub Dwelling Unit Number, Address – Sub Dwelling Unit Type

Other related information

Administrative attributes

Version #
Collection start date 1 July 2010

Audit Assessment

Identifying and definitional attributes

Definition A check to see if a premises' Food Safety Program is safe and suitable.

Concept attributes

Collection and usage attributes

Guide for use

Source and reference attributes

**Department of Health
common data dictionary** Not applicable

Definition source Department of Health

**Definition source
identifier**

Relational attributes

Related concepts Premises

Related data elements Audit Assessment – ID, Audit Assessment – Performed By, Audit Assessment – Result, Audit Assessment – Type, Audit Assessment – Conducted Date, Audit Assessment – Auditor ID

Other related information

Administrative attributes

Version #

Collection start date 1 July 2010

Complaint

Identifying and definitional attributes

Definition Any reports of poor food quality or adverse reactions to food from the public

Concept attributes

Collection and usage attributes

Guide for use

Source and reference attributes

**Department of Health
common data dictionary** Not applicable

Definition source Department of Health

**Definition source
identifier**

Relational attributes

Related concepts Premises

Related data elements Complaint – ID, Complaint – Complaint Received Date, Complaint –
Complaint - Category

Other related information

Administrative attributes

Version #

Collection start date 1 July 2010

Council

Identifying and definitional attributes

Definition A local government body responsible under legislation to perform food sampling activities and other food safety related duties.

Concept attributes

Collection and usage attributes

Guide for use

Source and reference attributes

Department of Health common data dictionary Not applicable
Definition source Department of Health
Definition source identifier

Relational attributes

Related concepts Premises
Related data elements -File Header – Agency Identifier
Other related information

Administrative attributes

Version #
Collection start date 1 July 2010

Enforcement

Identifying and definitional attributes

Definition A Mandatory action imposed by a local council on a premise for infractions of the Food Act legislation

Concept attributes

Collection and usage attributes

Guide for use

Source and reference attributes

Department of Health common data dictionary Not applicable

Definition source Department of Health

Definition source identifier

Relational attributes

Related concepts Premises

Related data elements Enforcement – ID, Enforcement – Action, Enforcement – Type, Enforcement – Action Date, Enforcement – Audit Assessment ID, Enforcement – Inspection ID

Other related information

Administrative attributes

Version #

Collection start date 1 July 2010

File Header

Identifying and definitional attributes

Definition The file header contains automatically generated high level information describing the information being transmitted between two systems.

Concept attributes

Collection and usage attributes

Guide for use The information contained within the file header is automatically generated and therefore does not need to be manually collected or entered. Please refer to the Transmission Reference Data Dictionary for further information and instructions.

Source and reference attributes

Department of Health common data dictionary TRDD
Definition source Department of Health
Definition source identifier

Relational attributes

Related concepts

Related data elements File Header – Agency Identifier, File Header – Data Collection Code, File Header – Data Transmission ID, File Header – Record Count, File Header – Portion Number, File Header – Reporting Period Calendar Year Quarter, File Header – Transmission File Number, File Header – Version Identifier

Other related information

Administrative attributes

Version
Collection start date 1 July 2010

Food Recall

Identifying and definitional attributes

Definition A notification sent by a local council to a premises informing them of a food recall initiative

Concept attributes

Collection and usage attributes

Guide for use

Source and reference attributes

Department of Health common data dictionary Not applicable
Definition source Department of Health
Definition source identifier

Relational attributes

Related concepts Premises
Related data elements Food Recall – ID, Food Recall – Recall Date, Food Recall Type
Other related information

Administrative attributes

Version #
Collection start date 1 July 2010

Inspection

Identifying and definitional attributes

Definition Inspection of a food premises to determine compliance with the Food Act & Standards.

Concept attributes

Collection and usage attributes

Guide for use

Source and reference attributes

Department of Health common data dictionary Not applicable
Definition source Department of Health
Definition source identifier

Relational attributes

Related concepts Premises
Related data elements Inspection – ID, Inspection – Type, Inspection – Inspection Date, Inspection – Result, Inspection – Audit Assessment ID, Inspection – Enforcement ID

Other related information

Administrative attributes

Version #
Collection start date 1 July 2010

Premises

Identifying and definitional attributes

Definition A business/establishment/stand where food is offered for sale and/or consumption.

NOTE: The Food Performance Reporting system will be used to report all Temporary and Mobile Food Premises until July 2011. At which time, all Temporary and Mobile Food Premise reporting will be done through Templink.

Concept attributes

Collection and usage attributes

Guide for use The Premises is the central feature of any data transmission. It is not possible to submit an instance without reference to a premises.

Source and reference attributes

Department of Health common data dictionary Not applicable

Definition source Department of Health

Definition source identifier

Relational attributes

Related concepts Address, Audit, Complaint, Council, Enforcement, Inspection, Food Recall, Registration Status

Related data elements Premises – Business Name - Name, Premises – Council Property Number, Premises – Food Safety Program, Premises – ID, Premises – Registration Date, Premises – Risk Classification, Premises – Trading Name – Name, Premises – Type, Premises – Water Supply

Other related information

Administrative attributes

Version #

Collection start date 1 July 2010

Prosecution

Identifying and definitional attributes

Definition A court appearance / trial for infractions of The Food Act 1984.

Concept attributes

Collection and usage attributes

Guide for use

Source and reference attributes

**Department of Health
common data dictionary** Not applicable

Definition source Department of Health

**Definition source
identifier**

Relational attributes

Related concepts Premises

Related data elements Prosecution – ID, Prosecution – Initial Court Date, Prosecution – Enforcement ID, Prosecution – Inspection ID, Prosecution—Type

Other related information

Administrative attributes

Version #

Collection start date 1 July 2010

Registration Status

Identifying and definitional attributes

Definition The registration status assigned to a premises by a local council

Concept attributes

Collection and usage attributes

Guide for use All data transmissions will contain reference to at least one premises. For each transmission referencing a Premises, Current Registration data elements must be included. Current Registration status and date period start and end dates will override any previous values in the repository for Current Registration. Historical Registration data elements can be left blank, but typically the previous details for a Current Registration can be entered as Historical registration elements for the transaction. Hence a Premises will always have a Current Registration set of data elements. The records of previous Registration can be entered as Historical Registration elements. A given transmission on a Premises will always have a Current Registration set of data elements, and may have zero or many Historical Registration data elements detailing data ranges of previous registration histories.

Source and reference attributes

Department of Health common data dictionary Not applicable

Definition source Department of Health

Definition source identifier

Relational attributes

Related concepts Premises

Related data elements Registration Status – Description, Registration Status – Registration Condition, Registration Status – Period – End, Registration Status – Period – Start, for both current and historical status and periods.

Other related information

Administrative attributes

Version #

Collection start date 1 July 2010

Verdict

Identifying and definitional attributes

Definition The outcome of a prosecution / trial.

Concept attributes

Collection and usage attributes

Guide for use

Source and reference attributes

Department of Health common data dictionary Not applicable

Definition source Department of Health

Definition source identifier

Relational attributes

Related concepts Premises

Related data elements Verdict – ID, Verdict – Nature Of Sentence, Verdict – Type, Verdict – Verdict Date, Verdit – Proseccion ID

Other related information

Administrative attributes

Version #

Collection start date 1 July 2010

Data Elements

Introduction

What is a data element?

A data element is a basic unit of identifiable and definable data which can be collected. Data elements describe, in a standardised way, what is required to be known about something.

A data element is comprised of three components:

- an object, which is the thing, such as a person or organisation, that is of interest and is being described
- a property, which is the characteristic of the object that is of interest
- a value domain, which is how the property is measured or represented.

For example, we may wish to know what language a client prefers to speak:

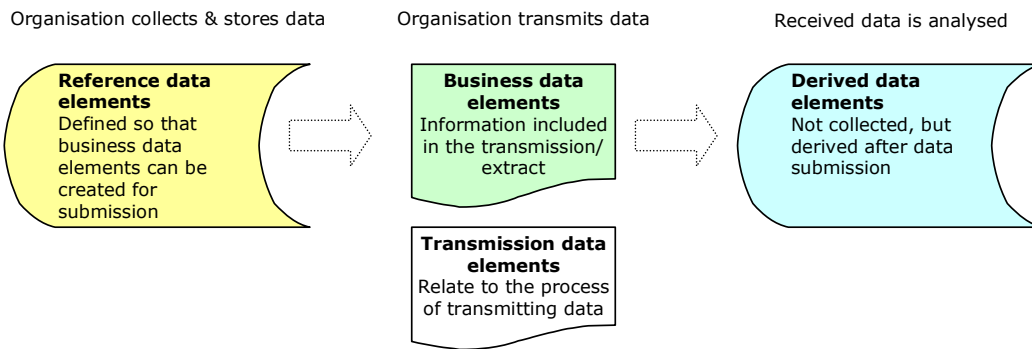
- object = the client
- property = preferred language
- value domain = a list of language codes from the *Australian Standard Classification of Languages* (ABS 1267.0–2007).

Types of data elements

There are different approaches to categorising data elements. The perspective considered most useful for data collection managers is a data element's application within a data set. In this context, data elements are categorised as one of four types (see below for details).

For each specific data set, depending on their use in relation to the transmission/extract, data elements are categorised as one of four types:

- **Business data elements** are collected by external/funded organisations and included in the transmission/extract.
- **Reference data elements** are not included in the transmission/extract, but are defined so that the reporting organisation can create or validate another data element for the transmission/extract. For example, the data element 'client date of birth' might be defined so that a reporting organisation can create a 'client age' which is included in the transmission/extract.
- **Derived data elements** are not collected, but are defined so that once a transmission/extract is received a new data element can be derived. For example, if 'client date of birth' is part of a transmission/extract, 'client age' can then be derived.
- **Transmission data elements** are data elements that relate only to the process of transmitting the data. For example, a 'header end date' is usually included in the transmission file to note the last date that for which data is transmitted.



Example: management of date of birth and age data elements in different data collections

Data set name	Data element type		
	Reference data element	Business data element	Derived data element
Data collection A	Date of birth	Age	Age range
Data collection B		Date of birth	Age Age range

The data element specification section in this data collection manual groups the data elements by the following groups:

- Business data elements
- Derived data elements
- Transmission data elements

There are no reference data elements that apply to this data collection

Data element specification template—data collection version, guide for use

Information about each data element is presented in the following structured format:

[Data element name]

Identifying and definitional attributes

Definition A concise statement that expresses the essential nature of the data element and its differentiation from other data elements

Value domain attributes

Representational attributes

Representation class The class of representation of a value domain.
Valid representation classes are:

Value	Meaning
Average	A numeric value representing an arithmetic mean
Code	A system of valid symbols that substitute for longer values
Date	A numeric value representing a calendar date (that is, day, month and year) or recognised part of a calendar date (that is, day, month, and/or year)
Identifier	A value which establishes identity
Percentage	Parts per hundred
Ratio	An expression of the quantity of one substance or entity in relation to that of another
Text	An unformatted, descriptive value
Time	A numeric value representing a specific instance in time
Total	A numeric value representing the sum of a set of values or an entire quantity (including monetary)

Data type A set of distinct values, characterised by properties of those values and by the operations on those values.
Valid data types are:

Value	Meaning
Boolean	A binary value expressed using a string (for example, true or false)
Currency	A numeric value expressed using a particular medium of exchange (for example, \$AUD)
Date/time	A specific instance of time expressed in numeric form (for example, two hours)
Number	A sequence of numeric characters which may contain decimals (for example, 500), excluding codes with 'leading' characters
String	A sequence of alphabetic and/or numeric characters, including 'leading' characters for example, '01', '02', '03'

Format A template for the presentation of values, including specification and layout of permitted characters, the maximum and minimum size, and precision.
Valid format values are:

Value	Valid character range
A	Alphabetic character set: contains the letters a-z and A-Z and may contain special characters, ¹ but not numeric characters
N	Numeric character set: contains whole and decimal numbers and may contain special characters, but not alphabetic characters
X	Alphanumeric character set: contains alphabetic and numeric characters, and may contain blank characters
D	A numeric character representing a number of days ²
M	A numeric character representing a number of months ²
Y	A numeric character representing a number of years ²
H	Any numeric character representing a number of hours ²
M	Any numeric character representing a number of minutes ²
S	Any numeric character representing number of seconds ²
{ }	The string within the curly brackets (braces) is optional in its entirety (for example, X{XX} indicates one or three alphanumeric characters (that is, X, or XXX))
[]	The string within the square brackets is optional in any ordered combination (for example, [XXX] indicates zero, one, two or three alphanumeric characters (that is, blank, X, XX or XXX))
()	The character preceding the round brackets (parentheses) is repeated the number of times specified (for example, X(9) indicates nine alphanumeric characters)

Notes

¹ 'Special character' is a character which has a visual representation and is neither a letter, number, ideogram or blank, for example, punctuation marks and mathematical symbols.

² Valid in value domains of representation class date or time only.

Maximum character length	The maximum number of characters permitted to represent the values.
Permissible values instructions	Additional information required when applying the permissible values. Examples include <ul style="list-style-type: none"> • 'select the first appropriate category' for hierarchical codesets where codes not mutually exclusive • 'refer to [appendix/section for large-value domains]'
Permissible values	A list of codes and code descriptors representing values specified.
Supplementary values	
Unit of measure	The name of the unit of measure for all data values for the value domain.

Data element attributes

Reporting attributes

Reported for [Remove if attribute is not used]	The specified circumstances in which this data element must be reported. Examples include: [amend to examples used within the data collection] : <ul style="list-style-type: none"> • all episodes • once the separation date is reported in the episode record • when the carer availability is 1—has a carer.
Reported when [Remove if attribute is not used]	The stage in the data submission cycle when this data element is to be reported. Examples include: [amend to examples used within the data collection] : <ul style="list-style-type: none"> • when the admission date is reported.

used]

Collection and usage attributes

Guide for use	Provide advice or interpretation on how to use the particular data element. Includes additional information where required, such as: <ul style="list-style-type: none">• the meaning or interpretation of values or codes• what is collected or included• what is excluded or not collected• number of values to be collected• collection methods, advice or instructions for the actual capture of data.
Purpose/context	The main reasons for the collection of this data element, and how it will be used
Principal data users	Identifies the primary users of the data collected. Includes 'Commonwealth' when national reporting requirements apply.
National reporting requirements	The national reporting requirement that applies to this data element if applicable. Where there is no national reporting requirement for this data element, 'not applicable' is recorded.

Source and reference attributes

Department of Health common data dictionary	Current options: 'not applicable', 'ARDD v1', 'TRDD v1', 'CCDD v3', 'CSDD v1', 'CWDD v1'.
Definition source	[For example, 'METeOR', 'ABS', 'the department (unit name)']
Definition source identifier	[Options: '<METeOR/other source identifier>', 'based on <METeOR/other source identifier>' or 'not applicable']
Value domain source	[For example, 'METeOR', 'ABS', 'the department (unit name)']
Value domain identifier	[Options: '<METeOR/other source identifier>', 'based on <METeOR/other source identifier>' or 'not applicable']

Relational attributes

Related concepts	A list of related concepts that affect the assignment of a value in this data element.
Related data elements	A list of related data elements that affect the assignment of a value in this data element, or which are affected by the assignment of a value in this data element.
Edit/validation rules	A list of related edit/validation rules that affect the assignment of a code in this data element—ID and edit/validation rule provided.
Other related information	A list of related information, not including concepts, data elements or edit/validation rules, that affect the assignment of a code in this data element.

Administrative attributes

Version	For example, 'version 1.0', 'not applicable'.
Collection start date	For example, '1 July 2009'.

Data element specification – Business Data Elements

The business data elements are listed in alphabetical order.

Address—level number—[X(5)]

Identifying and definitional attributes

Definition Within a complex, a number used to distinguish a floor or level of a multi-storey building/sub-complex.

Value domain attributes

Representational attributes

Representation class	Identifier	Data type	String
Format	[X(5)]	Maximum character length	5

Data element attributes

Reporting attributes

Reported for Each Premises
Reported when Optional.

Collection and usage attributes

Guide for use The data element may include a leading alphabetic prefix.
 The data element may include a trailing alphabetic suffix.
 Usage examples:

Apartment 7a Level 3 Apex Building 48 Johnson Road CLAYTON VIC 3168	level number is 3
Floor 2 Building 75 Monash University 1-131 Wellington Road CLAYTON VIC 3168	level number is 2

Purpose/context To determine the physical location of each Premises
Principal data users Department of Health (Public Health)
National reporting requirements Not applicable

Source and reference attributes

Department of Health common data dictionary ARDD v1
Definition source AS 4590-2006: Australian Standard—Interchange of client information, Section 5.5.2.2 Level number
Definition source identifier
Value domain source Not applicable
Value domain identifier

Relational attributes

Related concepts

Related data elements Address—level type code

Edit/validation rules AD03 Level number is zero or a negative number

Other related information METeOR: [270029—Person \(address\)—floor/level identifier, \[NNNA\]](#)

Administrative attributes

Version

Collection start date 1 July 2010

National reporting requirements	Not applicable
--	----------------

Source and reference attributes

Department of Health common data dictionary	ARDD v1
Definition source	AS 4590–2006: Australian Standard—Interchange of client information, Section 5.5.2.1 Level type code
Definition source identifier	
Value domain source	AS/NZS 4819:2003: Geographic information—Rural and urban addressing, Section H4.3
Value domain identifier	

Relational attributes

Related concepts

Related data elements Address—level number

Edit/validation rules

Other related information METeOR: [270024—Person \(address\)—floor/level type, code A\[A\]](#)

Administrative attributes

Version

Collection start date 1 July 2010

Address—locality name—A(46)

Identifying and definitional attributes

Definition The name of the locality/suburb of the address.

Value domain attributes

Representational attributes

Representation class	Text	Data type	String
Format	A(46)	Maximum character length	46
Permissible values instructions	Refer to ARDD v.1 Appendix 3: Large-value domains for an example (excluding mailbox-only postcodes/locality names). Refer to Australia Post locality names for periodic updates. Examples from the full list are below:		

Permissible values	Value	Meaning
	ABBAYARD	Abbeyard
	ABBOTSFORD	Abbotsford

	MELBOURNE	Melbourne

	NNNN	and so on

Data element attributes

Reporting attributes

Reported for	Each Premises
Reported when	Not to be reported to the Department of Health, but retained by the Council.

Collection and usage attributes

Guide for use	For mailing purposes, the format of this data element should be upper case (capital letters). Refer to the <i>Australia Post Address Presentation Standard</i> . Discussion: official locality names and their associated boundary extents are assigned by relevant state naming committees/protocols. Their correct usage is encouraged.
Purpose/context	To determine the physical location of each Premises
Principal data users	Department of Health (Public Health)
National reporting requirements	Not applicable

Source and reference attributes

Department of Health common data dictionary	ARDD v1
Definition source	AS 4590–2006: Australian Standard—Interchange of client information, Section 5.11 Locality name
Definition source identifier	
Value domain source	Australia Post
Value domain identifier	

Relational attributes

Related concepts

Related data elements	Address—postcode
Edit/validation rules	AD04 Incorrect combination of postcode and locality name
Other related information	METeOR: 287326—Person (address)—suburb/town/locality name, text [A(50)]

Administrative attributes

Version

Collection start date 1 July 2010

Address—postcode—N(4)

Identifying and definitional attributes

Definition	The Australian numeric descriptor for a postal delivery area, aligned with locality, suburb or place.
-------------------	---

Value domain attributes

Representational attributes

Representation class	Identifier	Data type	Number
Format	N(4)	Maximum character length	4
Permissible values instructions	Refer to ARDD v.1 Appendix 3: Large-value domains for an example (excluding mailbox-only postcodes/locality names). Refer to Australia Post postcodes for periodic updates.		

Data element attributes

Reporting attributes

Reported for	Each Premises
Reported when	Not to be reported to the Department of Health, but retained by the Council.

Collection and usage attributes

Guide for use	Australian postal addresses should include a valid postcode. All postcodes should be represented using four digits. Any three-digit postcodes should include a leading zero (see the Darwin example below). Refer to the <i>Australia Post Address Presentation Standard</i> for rules on presentation and positioning of postcodes on mail. For a full list of Australian postcodes visit the Australia Post website: www.auspost.com.au Examples:
----------------------	---

Code	Description
3056	Postcode for BRUNSWICK, VIC
0800	Postcode for DARWIN, NT

Purpose/context	To determine the physical location of each Premises
Principal data users	Department of Health (Public Health)
National reporting requirements	Not applicable

Source and reference attributes

Department of Health common data dictionary	ARDD v1
Definition source	AS 4590–2006: Australian Standard—Interchange of client information, Section 5.13 Postcode
Definition source identifier	
Value domain source	Australia Post www.auspost.com.au
Value domain identifier	

Relational attributes

Related concepts	
Related data elements	Address—locality name
Edit/validation rules	AD05 Incorrect combination of postcode and locality name

Other related information

METeOR: [302040—Dwelling—Australian postcode code \(postcode datafile\)](#)
{NNNN}

Administrative attributes

Version

Collection start date 1 July 2010

Address—road name—X(45)

Identifying and definitional attributes

Definition	The name of the road/thoroughfare applicable to the address site or complex.
-------------------	--

Value domain attributes

Representational attributes

Representation class	Text	Data type	String
Format	X(45)	Maximum character length	45

Data element attributes

Reporting attributes

Reported for	Each Premises
Reported when	Not to be reported to the Department of Health, but retained by the Council.

Collection and usage attributes

Guide for use	Within a road name, it is possible to find what appears to be a road type (for example, The Boulevard). It is also possible to have a null road type. Only the road name should be stored in this data element. Examples:
----------------------	---

Road name in full	Road name components		
	Road name	Road type	Road suffix
Lonsdale Street	Lonsdale	Street	<null>
Browns Road West	Browns	Road	W
The Avenue West	The Avenue	<null>	W
Cotswold Brett	Cotswold Brett	<null>	<null>
High Street Road	High Street	Road	<null>

Purpose/context	To determine the physical location of each Premises
Principal data users	Department of Health (Public Health)
National reporting requirements	Not applicable

Source and reference attributes

Department of Health common data dictionary	ARDD v1
Definition source	AS 4590–2006: Australian Standard—Interchange of client information, Section 5.9.1 Road name 8.3
Definition source identifier	
Value domain source	Not applicable
Value domain identifier	

Relational attributes

Related concepts	
Related data elements	Address—road suffix Address—road type
Edit/validation rules	

Other related information

METeOR: [270019—Person \(address\)—street name, text \[A\(30\)\]](#)

Administrative attributes

Version

Collection start date 1 July 2010

Address—road number 1—X(6)

Identifying and definitional attributes

Definition	Identifies the number of the address in the road or thoroughfare, and for a range address, is the start number.
-------------------	---

Value domain attributes

Representational attributes

Representation class	Identifier	Data type	String
Format	X(6)	Maximum character length	6

Data element attributes

Reporting attributes

Reported for	Each Premises
Reported when	Not to be reported to the Department of Health, but retained by the Council.

Collection and usage attributes

Guide for use	The data element may include an alphabetic prefix, and/or an alphabetic suffix. Examples:
----------------------	--

48 Johnson Rd CLAYTON VIC 3168	'road number 1' is 48
-----------------------------------	-----------------------

7-9 Queens Road SOUTH MELBOURNE VIC 3205	'road number 1' is 7
---	----------------------

Purpose/context	To determine the physical location of each Premises
Principal data users	Department of Health (Public Health)
National reporting requirements	Not applicable

Source and reference attributes

Department of Health common data dictionary	ARDD v1
Definition source	AS 4590-2006: Australian Standard—Interchange of client information, Section 5.8.2 Road number
Definition source identifier	
Value domain source	Not applicable
Value domain identifier	

Relational attributes

Related concepts	
Related data elements	Address—road number 2
Edit/validation rules	AD05 Road number range in reverse order AD06 Road range must include road number 1
Other related information	METeOR: 270030—Person (address)—house/property identifier, text [X(12)]

Administrative attributes

Version

Collection start date	1 July 2010
------------------------------	-------------

Address—road number 2—X(6)

Identifying and definitional attributes

Definition Identifies the last number for a range address in the road or thoroughfare.

Value domain attributes

Representational attributes

Representation class	Identifier	Data type	String
Format	X(6)	Maximum character length	6

Data element attributes

Reporting attributes

Reported for	Each Premises
Reported when	Not to be reported to the Department of Health, but retained by the Council.

Collection and usage attributes

Guide for use The data element may include an alphabetic prefix and/or an alphabetic suffix.
This element is used for ranged street numbers, otherwise it is left blank.
Examples:

12–16 Clash Lane CLAMPDOWN VIC 3256	'road number 1' is 12 'road number 2' is 16
1–131 Wellington Road CLAYTON VIC 3168	'road number 1' is 1 'road number 2' is 131

Purpose/context	To determine the physical location of each Premises
Principal data users	Department of Health (Public Health)
National reporting requirements	Not applicable

Source and reference attributes

Department of Health common data dictionary	ARDD v1
Definition source	AS 4590–2006: Australian Standard—Interchange of client information, Section 5.8.3 Road number 2
Definition source identifier	
Value domain source	Not applicable
Value domain identifier	

Relational attributes

Related concepts	
Related data elements	Address—road number 1
Edit/validation rules	AD05 Road number range in reverse order AD06 Road range must include road number 1
Other related information	METeOR: 270030—Person (address)—house/property identifier, text [X(12)]

Administrative attributes

Version

Collection start date	1 July 2010
------------------------------	-------------

Address—road suffix—A[A]

Identifying and definitional attributes

Definition The abbreviation code used to distinguish the suffix of the road/thoroughfare applicable to the address site/complex.

Value domain attributes

Representational attributes

Representation class	Code	Data type	String
Format	A[A]	Maximum character length	2
Permissible values	Value	Meaning	
	CN	central	
	E	east	
	EX	extension	
	LR	lower	
	N	north	
	NE	north east	
	NW	north west	
	S	south	
	SE	south east	
	SW	south west	
	UP	upper	
	W	west	

Data element attributes

Reporting attributes

Reported for Each Premises

Reported when Not to be reported to the Department of Health, but retained by the Council.

Collection and usage attributes

Guide for use For postal purposes the abbreviated road code should be used.
Examples:

Road name in full	Road name components		
	Road name	Road type	Road suffix
Browns Road West	Browns	RD	W
The Avenue West	The Avenue	<null>	W
Cotswold Brett	Cotswold Brett	<null>	<null>
High Street Road	High Street	RD	<null>

Purpose/context To determine the physical location of each Premises

Principal data users Department of Health (Public Health)

National reporting requirements Not applicable

Source and reference attributes

Department of Health common data dictionary ARDD v1

Definition source	AS 4590-2006: Australian Standard—Interchange of client information, Section 5.9.3 Road suffix code
Definition source identifier	
Value domain source	AS/NZS 4819:2003: Geographic information—Rural and urban addressing, Section H5.5
Value domain identifier	

Relational attributes

Related concepts	
Related data elements	Address—road name Address—road type
Edit/validation rules	
Other related information	METeOR: 270022—Person (address)—street suffix, code A[A]

Administrative attributes

Version	
Collection start date	1 July 2010

Address—road type—AA[AA]

Identifying and definitional attributes

Definition The abbreviation code used to distinguish the type of road/thoroughfare applicable to the address site/complex.

Value domain attributes

Representational attributes

Representation class Code **Data type** String
Format AA(AA) **Maximum character length** 4

Permissible values instructions Refer to ARDD v.1 Appendix 3: Large-value domains. Examples from the full list are below:

Permissible values	Value	Meaning
	AV	avenue
	BVD	boulevard
	CT	court

	RD	road
	ST	street
	TCE	terrace
	WKWY	walkway

	NNNN	and so on

Data element attributes

Reporting attributes

Reported for Each Premises

Reported when Not to be reported to the Department of Health, but retained by the Council.

Collection and usage attributes

Guide for use Within a road name it is possible to find what appears to be a road type. It is also possible to have a null road type. For postal purposes the road type should be abbreviated. Examples:

Road name in full	Road name components		
	Road name	Road type	Road suffix
Lonsdale Street	Lonsdale	ST	<null>
Browns Road West	Browns	RD	W
The Avenue West	The Avenue	<null>	W
Cotswold Brett	Cotswold Brett	<null>	<null>
High Street Road	High Street	RD	<null>

Purpose/context To determine the physical location of each Premises

Principal data users Department of Health (Public Health)

National reporting requirements	Not applicable
--	----------------

Source and reference attributes

Department of Health common data dictionary	ARDD v1
Definition source	AS 4590–2006: Australian Standard—Interchange of client information, Section 5.9.2 Road type code 8.3
Definition source identifier	
Value domain source	AS/NZS 4819:2003: Geographic information—Rural and urban addressing, Section H5 AS/NZS 4819
Value domain identifier	

Relational attributes

Related concepts	
Related data elements	Address—road name Address—road suffix
Edit/validation rules	
Other related information	METeOR: 270020—Person (address)—street type, code A[AAA]

Administrative attributes

Version	
Collection start date	1 July 2010

Address—sub-dwelling unit number—X(7)

Identifying and definitional attributes

Definition	Within a complex, a number used to distinguish an address found within a building/sub-complex or marina.
-------------------	--

Value domain attributes

Representational attributes

Representation class	Identifier	Data type	String
Format	X(7)	Maximum character length	7
Permissible values instructions	See example in the guide for use		

Data element attributes

Reporting attributes

Reported for	Each Premises
Reported when	Not to be reported to the Department of Health, but retained by the Council.

Collection and usage attributes

Guide for use	The data element may include a leading alphabetic prefix. The data element may include a trailing alphabetic suffix. Usage examples:				
	<hr/> <table><tr><td>Apartment 7a Level 3 Apex Building 48 Johnson Road CLAYTON VIC 3168</td><td>sub-dwelling unit number is 7a</td></tr><tr><td>Suite 54 Beacon Cove Foodstore 103 Beach Road PORT MELBOURNE VIC 3207</td><td>sub-dwelling unit number is 54</td></tr></table> <hr/>	Apartment 7a Level 3 Apex Building 48 Johnson Road CLAYTON VIC 3168	sub-dwelling unit number is 7a	Suite 54 Beacon Cove Foodstore 103 Beach Road PORT MELBOURNE VIC 3207	sub-dwelling unit number is 54
Apartment 7a Level 3 Apex Building 48 Johnson Road CLAYTON VIC 3168	sub-dwelling unit number is 7a				
Suite 54 Beacon Cove Foodstore 103 Beach Road PORT MELBOURNE VIC 3207	sub-dwelling unit number is 54				
Purpose/context	To determine the physical location of each Premises				
Principal data users	Department of Health (Public Health)				
National reporting requirements	Not applicable				

Source and reference attributes

Department of Health common data dictionary	ARDD v1
Definition source	AS 4590-2006: Australian Standard—Interchange of client information, Section 5.5.1.2 Sub-dwelling unit number
Definition source identifier	
Value domain source	Not applicable
Value domain identifier	

Relational attributes

Related concepts	
Related data elements	Address—sub-dwelling unit type code

Edit/validation rules

Other related information METeOR: [270018—Person \(address\)—building/complex sub-unit identifier, \[X\(7\)\]](#)

*Administrative attributes***Version**

Collection start date 1 July 2010

Address—sub-dwelling unit type code—A[AAA]

Identifying and definitional attributes

Definition	Within a complex, an abbreviation used to distinguish the type of an address found within a building/sub-complex or marina.
-------------------	---

Value domain attributes

Representational attributes

Representation class	Code	Data type	String
Format	A[AAA]	Maximum character length	4
Permissible values instructions	Refer to ARDD v.1 Appendix 3: Large-value domains. Examples from the full list are below:		
Permissible values	Value	Meaning	
	ANT	Antenna	
	APT	apartment	
	BLDG	building	
	FCTY	factory	
	
	VLLA	Villa	
	WARD	Ward	
	
	NNNN	and so on	

Data element attributes

Reporting attributes

Reported for	Each Premises
Reported when	Not to be reported to the Department of Health, but retained by the Council.

Collection and usage attributes

Guide for use	Usage examples:
	Apartment 7a Level 3 Apex Building 48 Johnson Road CLAYTON VIC 3168
	sub-dwelling unit type code is APT (apartment)
	Suite 54 Beacon Cove Foodstore 103 Beach Road PORT MELBOURNE VIC 3207
	sub-dwelling unit type code is SE (suite)
Purpose/context	To determine the physical location of each Premises
Principal data users	Department of Health (Public Health)
National reporting requirements	Not applicable

Source and reference attributes

Department of Health common data dictionary	ARDD v1
Definition source	AS 4590–2006: Australian Standard—Interchange of client information, section 5.5.1.1 Sub-dwelling unit type code

Definition source identifier

Value domain source AS/NZS 4819:2003: Geographic information—Rural and urban addressing Section H4.2

Value domain identifier

*Administrative attributes***Related concepts**

Related data elements Address—sub-dwelling unit number

Edit/validation rules

Other related information METeOR: [270023—Person \(address\)—building/complex sub-unit type, code A\[AAA\]](#)

*Administrative attributes***Version**

Collection start date 1 July 2010

Audit Assessment – Auditor ID—N(20)

Identifying and definitional attributes

Definition	The unique identifier assigned by and used by the department to identify an authorised food auditor.
-------------------	--

Value domain attributes

Representational attributes

Representation class	Identifier	Data type	Number
Format	N(20)	Maximum character length	20
Permissible values instructions	Refer to http://www.health.vic.gov.au/foodsafety/bus/auditing.htm		

Data element attributes

Reporting attributes

Reported for	Every Audit conducted for a given Premises where the Audit Assessment – Conducted Date is within the current reporting period.
Reported when	Mandatory if Audit Assessment ID is non-null

Collection and usage attributes

Guide for use	The full list of ID's for authorised Auditors can be found on the department website at http://www.health.vic.gov.au/foodsafety/downloads/auditors.pdf All food auditors have an Auditor ID. This includes both third party Auditors and Auditors employed by councils.
Purpose/context	To calculate the gross total of third party audits performed by a given auditor given a set of reporting conditions.
Principal data users	Department of Health (Public Health)
National reporting requirements	Not applicable

Source and reference attributes

Department of Health common data dictionary	
Definition source	Department of Health (Public Health)
Definition source identifier	
Value domain source	Department of Health (Public Health)
Value domain identifier	

Relational attributes

Related concepts	Audit
Related data elements	
Edit/validation rules	
Other related information	

Administrative attributes

Version	
Collection start date	1 July 2010

Audit Assessment—Conducted Date—DDMMYYYY

Identifying and definitional attributes

Definition The date at which an audit or assessment was conducted on a food premises by an approved auditor

Value domain attributes

Representational attributes

Representation class	Date	Data type	Date
Format	DDMMYYYY	Maximum character length	8
Permissible values instructions			

Data element attributes

Reporting attributes

Reported for	Every Audit / Assessment conducted for a given Premises where the Audit Assessment – Conducted Date is within the current reporting period.
Reported when	Mandatory if Audit Assessment ID is non-null

Collection and usage attributes

Guide for use	Date comparison to retrieve audits taken by a council that occurred within a specified reporting date range. Must comply with Department of Health format for Date.
Purpose/context	To be used as comparison token to filter audit / assessment records for a given reporting date range or at specific date
Principal data users	Department of Health (Public Health)
National reporting requirements	Not applicable

Source and reference attributes

Department of Health common data dictionary	
Definition source	Department of Health (Public Health)
Definition source identifier	
Value domain source	
Value domain identifier	

Relational attributes

Related concepts	Audit
Related data elements	
Edit/validation rules	FP01
Other related information	

Administrative attributes

Version	
Collection start date	1 July 2010

Audit Assessment –ID–N(20)

Identifying and definitional attributes

Definition	The unique identifier assigned by and used within local government to identify an audit or assessment conducted on a food premises under the jurisdiction of a given council
-------------------	--

Value domain attributes

Representational attributes

Representation class	Identifier	Data type	Number
Format	N(20)	Maximum character length	20

Data element attributes

Reporting attributes

Reported for	Every Audit / Assessment conducted for a given Premises where the Audit Assessment – Conducted Date is within the current reporting period.
Reported when	Mandatory for each Audit Assessment to be submitted

Collection and usage attributes

Guide for use	Requirements to report on the gross number of audits and/or assessments conducted on a food premises. The Audit Assessment ID provides a unique number for which an accurate number of audits and/or assessments can be made.
Purpose/context	To calculate the gross total audit /assessment conducted on a food premises given a set of reporting conditions
Principal data users	Department of Health (Public Health)
National reporting requirements	Not applicable

Source and reference attributes

Department of Health common data dictionary	
Definition source	Department of Health (Public Health)
Definition source identifier	
Value domain source	Department of Health (Public Health)
Value domain identifier	

Relational attributes

Related concepts	Audit
Related data elements	
Edit/validation rules	
Other related information	The third party audit identifier must be unique across all the transaction data received by the department from a given council and identifies an audit undertaken on a food premises under the jurisdiction of a given council

Administrative attributes

Version	
Collection start date	1 July 2010

Audit Assessment—Performed By—NN

Identifying and definitional attributes

Definition The party that performed the assessment of the premises

Value domain attributes

Representational attributes

Representation class	Identifier	Data type	Number
Format	NN	Maximum character length	2
Permissible values	Value	Meaning	
	10	Council	
	11	Third Party	

Data element attributes

Reporting attributes

Reported for Every Assessment conducted for a given Premises where the Audit Assessment – Conducted Date is within the current reporting period.

Reported when Mandatory if Audit Assessment - Type is equal to 11 (e.g. "Assessment")

Collection and usage attributes

Guide for use Requirements for the gross number of audits and assessments by performing party

Purpose/context To calculate the number of assessments performed by third parties and councils

Principal data users Department of Health (Public Health)

National reporting requirements Not applicable

Source and reference attributes

Department of Health common data dictionary

Definition source Department of Health (Public Health)

Definition source identifier

Value domain source Department of Health (Public Health)

Value domain identifier

Relational attributes

Related concepts Audit

Related data elements Audit – Result, Audit - Type

Edit/validation rules

Other related information

Administrative attributes

Version

Collection start date 1 July 2010

Audit Assessment—Result—NN

Identifying and definitional attributes

Definition The level of compliance awarded by the auditing/assessment party

Value domain attributes

Representational attributes

Representation class	Identifier	Data type	Number
Format	NN	Maximum character length	2
Permissible values	Value	Meaning	
	10	Compliant	
	11	Major non compliance	
	12	Critical non compliance	

Data element attributes

Reporting attributes

Reported for Every Audit / Assessment conducted for a given Premises where the Audit Assessment – Conducted Date is within the current reporting period.

Reported when Mandatory if Audit Assessment ID is non-null

Collection and usage attributes

Guide for use Requirements for the gross number of compliant and non-compliant audits / assessments

10 The FSP Food Act or Code is compliant.

11 The potential impact from a major non compliance is likely to compromise food safety if no remedial action is taken. For example lack of appropriate hand drying facility.

12 A critical non-compliance with the FSP, Act or Standard where the potential impact is serious or imminent risk to public health is identified. For example: cross contamination issues; pest infestation; food handling practices; identification of allergies.

Purpose/context To calculate the number of compliant and non-compliant audits / assessments

Principal data users Department of Health (Public Health)

National reporting requirements Not applicable

Source and reference attributes

Department of Health common data dictionary

Definition source Department of Health (Public Health)

Definition source identifier

Value domain source Department of Health (Public Health)

Value domain identifier

Relational attributes

Related concepts Audit

Related data elements Audit Type, Audit – Performed By

Edit/validation rules

Other related information

Administrative attributes

Version

Collection start date 1 July 2010

Audit Assessment—Type—NN

Identifying and definitional attributes

Definition This field indicates if an audit or assessment was performed on the premise

Value domain attributes

Representational attributes

Representation class	Identifier	Data type	Number
Format	NN	Maximum character length	2
Permissible values	Value	Meaning	
	10	Audit determines whether the food safety requirements applying to the premises have been complied with and whether the FSP is adequate.	
	11	Assessment to determine whether the food safety requirements applying to the premises have been complied with and in the case of FSP whether the program complies.	

Data element attributes

Reporting attributes

Reported for	Every Audit / Assessment conducted for a given Premises where the Audit Assessment – Conducted Date is within the current reporting period.
Reported when	Mandatory if Audit Assessment ID is non-null

Collection and usage attributes

Guide for use	Requirements for the gross number of audits and assessments performed
Purpose/context	To calculate the number of audits or assessments performed
Principal data users	Department of Health (Public Health)
National reporting requirements	Not applicable

Source and reference attributes

Department of Health common data dictionary	
Definition source	Department of Health (Public Health)
Definition source identifier	
Value domain source	Department of Health (Public Health)
Value domain identifier	

Relational attributes

Related concepts	Audit
Related data elements	Audit – Result, Audit - Performed By
Edit/validation rules	
Other related information	

Administrative attributes

Version	
Collection start date	1 July 2010

Complaint—Category—NN

Identifying and definitional attributes

Definition A code that defines the category of complaints on a food premises under the jurisdiction of a given council

Value domain attributes

Representational attributes

Representation class	Code	Data type	Number
Format	NN	Maximum character length	2
Permissible values	Value	Meaning	
	10	Food Adulteration - Food complaint received from the community concerning food which has been alleged to have been adulterated with a foreign object.	
	11	Microbiological - Alleged food poisoning or food spoilage complaint received from the community.	
	12	Chemical Adulteration - Food complaint received from the community concerning food which has been adulterated by chemicals.	
	13	Food premises related - Food complaint received from the community concerning a food premises such as: <ul style="list-style-type: none">•Storage conditions•Food Handling / Personal Hygiene•Cleanliness•Structure	

Data element attributes

Reporting attributes

Reported for Every Complaint received for a given Premises where the Complaint Received Date is with the current reporting period.

Reported when Mandatory if Complaint ID is non-null

Collection and usage attributes

Guide for use Classification and grouping of aggregated data in compliance reports requirements relating to complaints received on a food premises

Purpose/context To calculate the number of complaints by category.

Principal data users Department of Health (Public Health)

National reporting requirements Not applicable

Source and reference attributes

Department of Health common data dictionary

Definition source Department of Health (Public Health)

Definition source identifier

Value domain source The code list is derived by extracting complaint category code values from selected councils system. The extracted values were then harmonised which results in a common set of complaint category code list

Value domain identifier

Relational attributes

Related concepts Complaint

Related data elements

Edit/validation rules

Other related information

Administrative attributes

Version

Collection start date 1 July 2010

Complaint—Complaint Received Date—DDMMYYYY

Identifying and definitional attributes

Definition	The date at which a complaint on a food premises under the jurisdiction of a given council is received
-------------------	--

Value domain attributes

Representational attributes

Representation class	Date	Data type	Date
Format	DDMMYYYY	Maximum character length	8

Data element attributes

Reporting attributes

Reported for	Every Complaint received for a given Premises where the Complaint Received Date is with the current reporting period.
Reported when	Mandatory if Complaint ID is non-null

Collection and usage attributes

Guide for use	Date comparison to retrieve complaints within a specified reporting date range. Must comply with Department of Health format for Date.
Purpose/context	To be used as comparison token to filter complaint records for a given reporting date range or at specific date
Principal data users	Department of Health (Public Health)
National reporting requirements	Not applicable

Source and reference attributes

Department of Health common data dictionary	
Definition source	Department of Health (Public Health)
Definition source identifier	
Value domain source	
Value domain identifier	

Relational attributes

Related concepts	Complaint
Related data elements	
Edit/validation rules	FP01
Other related information	

Administrative attributes

Version	
Collection start date	1 July 2010

Complaint—ID—N(20)

Identifying and definitional attributes

Definition	The unique identifier assigned by and used within local government to identify a complaint
-------------------	--

Value domain attributes

Representational attributes

Representation class	Identifier	Data type	Number
Format	N(20)	Maximum character length	20

Data element attributes

Reporting attributes

Reported for	Every Complaint received for a given Premises where the Complaint Received Date is with the current reporting period.
Reported when	Mandatory for each Complaint to be submitted

Collection and usage attributes

Guide for use	Complaint identifier is unique across the transactional data received by the department and identifies a complaint of a given food premises under jurisdiction of a given council
Purpose/context	To calculate the gross total of complaints within a council jurisdiction for a report requirement with given specified conditions. Used in all reports
Principal data users	Department of Health (Public Health)
National reporting requirements	Not applicable

Source and reference attributes

Department of Health common data dictionary	
Definition source	Department of Health (Public Health)
Definition source identifier	
Value domain source	Department of Health (Public Health)
Value domain identifier	

Relational attributes

Related concepts	Complaint
Related data elements	
Edit/validation rules	
Other related information	

Administrative attributes

Version	
Collection start date	1 July 2010

Enforcement—Action—NN

Identifying and definitional attributes

Definition A code that defines the type of enforcement action undertaken by a council on a food premises

Value domain attributes

Representational attributes

Representation class	Identifier	Data type	Number
Format	NN	Maximum character length	2
Permissible values instructions	Refer to Appendix I: Large-value domains for the full list of permissible values.		

Examples from the full list:

Permissible values	Value	Meaning
	12	Section 19 (3) Closure order

	19	Section 19H Audit/Assessment Frequency.
	20	Offence S16(1) contravention with FSC 3.2.2 Clause—5(2)(a)
	74	Prosecution-Sale of food not complying with purchaser's demand

Data element attributes

Reporting attributes

Reported for Every Enforcement issued for a given Premises where the Enforcement – Action Date is within the current reporting period.

Reported when Mandatory if Enforcement ID is non-null

Collection and usage attributes

Guide for use These enforcements determine what actions are required by the premise to remain in operation. See Appendix I – Large Value Domains for the full list

Purpose/context To calculate the total number of enforcements by offence.

Principal data users Department of Health (Public Health)

National reporting requirements Not applicable

Source and reference attributes

Department of Health common data dictionary

Definition source Department of Health (Public Health)

Definition source identifier

Value domain source Department of Health (Public Health)

Value domain identifier

Relational attributes

Related concepts Enforcement

Related data elements

Edit/validation rules

Other related information

[*Administrative attributes*](#)

Version

Collection start date 1 July 2010

Enforcement—Action Date—DDMMYYYY

Identifying and definitional attributes

Definition The date on which an enforcement action was imposed on the premise

Value domain attributes

Representational attributes

Representation class	Date	Data type	Date
Format	DDMMYYYY	Maximum character length	8

Data element attributes

Reporting attributes

Reported for	Every Enforcement issued for a given Premises where the Enforcement - Action Date is within the current reporting period.
Reported when	Mandatory if Enforcement ID is non-null

Collection and usage attributes

Guide for use	Date comparison to retrieve enforcement actions taken by a council that occurred within a specified reporting date range. Must comply with Department of Health format for Date.
Purpose/context	To be used as comparison token to filter Enforcement action records for a given reporting date range or at specific date
Principal data users	Department of Health (Public Health)
National reporting requirements	Not applicable

Source and reference attributes

Department of Health common data dictionary	
Definition source	Department of Health (Public Health)
Definition source identifier	
Value domain source	
Value domain identifier	

Relational attributes

Related concepts	Enforcement
Related data elements	
Edit/validation rules	FP01
Other related information	

Administrative attributes

Version	
Collection start date	1 July 2010

Enforcement—Audit Assessment ID—N(20)

Identifying and definitional attributes

Definition A reference to the unique identifier of a non-compliant Audit / Assessment that led to this Enforcement

Value domain attributes

Representational attributes

Representation class	Identifier	Data type	Number
Format	N(20)	Maximum character length	20

Data element attributes

Reporting attributes

Reported for Every Enforcement issued for a given Premises where the Enforcement – Action Date is within the current reporting period and this Enforcement was the result of an Audit / Assessment.

Reported when Mandatory when the Enforcement is the result of an Audit / Assessment

Collection and usage attributes

Guide for use The entry in this field can then be used to trace and recall the audit / assessment that triggered the enforcement. This field should only be completed if the enforcement was applied at the time of the Audit / Assessment. If the Audit / Assessment instead lead to a Non-Compliance Inspection, Enforcement – Inspection ID should be completed instead. Note: the related Audit Assessment may not be in the same reporting period as the Enforcement.

Purpose/context To be used to reference the Audit / Assessment that triggered this enforcement. To calculate the total number of enforcements that were the result of a non-compliant audit / assessment.

Principal data users Department of Health (Public Health)

National reporting requirements Not applicable

Source and reference attributes

Department of Health common data dictionary

Definition source Department of Health (Public Health)

Definition source identifier

Value domain source Department of Health (Public Health)

Value domain identifier

Relational attributes

Related concepts Enforcement

Related data elements Audit Assessment – ID, Enforcement – Inspection ID (exclusive: this field and the current field should never both be filled in, e.g. one or the other)

Edit/validation rules FP06

Other related information

Administrative attributes

Version

Collection start date 1 July 2010

Enforcement—ID—N(20)

Identifying and definitional attributes

Definition	The unique identifier assigned by and used within local government to identify an enforcement undertaken on a food premises under the jurisdiction of a given council
-------------------	---

Value domain attributes

Representational attributes

Representation class	Identifier	Data type	Number
Format	N(20)	Maximum character length	20

Data element attributes

Reporting attributes

Reported for	Every Enforcement issued for a given Premises where the Enforcement – Action Date is within the current reporting period.
Reported when	Mandatory for each Enforcement to be submitted

Collection and usage attributes

Guide for use	Requirements to report on the gross number of food premises that has enforcement action taken
Purpose/context	To calculate the gross total of enforcement actions or outcomes undertaken on a food premises given a set of reporting conditions
Principal data users	Department of Health (Public Health)
National reporting requirements	Not applicable

Source and reference attributes

Department of Health common data dictionary	
Definition source	Department of Health (Public Health)
Definition source identifier	
Value domain source	Department of Health (Public Health)
Value domain identifier	

Relational attributes

Related concepts	Enforcement
Related data elements	
Edit/validation rules	
Other related information	Enforcement identifier must be unique across all the transaction data received by the department from a given council and identifies an enforcement undertaken on a food premises under the jurisdiction of a given council

Administrative attributes

Version	
Collection start date	1 July 2010

Enforcement—Inspection ID—N(20)

Identifying and definitional attributes

Definition A reference to the unique identifier of an Inspection that led to this Enforcement

Value domain attributes

Representational attributes

Representation class	Identifier	Data type	Number
Format	N(20)	Maximum character length	20

Data element attributes

Reporting attributes

Reported for Every Enforcement issued for a given Premises where the Enforcement – Action Date is within the current reporting period and this Enforcement was a result of an Inspection. This Inspection may have occurred in a previous reporting period.

Reported when Mandatory when the Enforcement is related to a prior Inspection

Collection and usage attributes

Guide for use The entry in this field can then be used to trace and recall the Inspection that triggered the enforcement. This field should only be completed if the enforcement was applied at the time of an inspection. Note: the related Inspection may not be in the same reporting period as the Enforcement.

Purpose/context To be used to reference the Inspection that triggered this enforcement. To calculate the total number of enforcements that were the result of a non-compliant inspection.

Principal data users Department of Health (Public Health)

National reporting requirements Not applicable

Source and reference attributes

Department of Health common data dictionary

Definition source Department of Health (Public Health)

Definition source identifier

Value domain source Department of Health (Public Health)

Value domain identifier

Relational attributes

Related concepts Enforcement

Related data elements Inspection – ID, Enforcement – Audit Assessment ID (exclusive: this field and the current field should never both be filled in, e.g. one or the other)

Edit/validation rules FP06

Other related information

Administrative attributes

Version

Collection start date 1 July 2010

Enforcement—Type—NN

Identifying and definitional attributes

Definition A code for the broad type of enforcement by a council on a food premises.

Value domain attributes

Representational attributes

Representation class	Identifier	Data type	Number
Format	NN	Maximum character length	2
Permissible values instructions	There are only the three values listed here.		
Permissible values	Value	Meaning	
	10	General Enforcement	
	11	Penalty Infringement Notice (PIN)	
	12	Prosecution	

Data element attributes

Reporting attributes

Reported for Every Enforcement issued for a given Premises where the Enforcement – Action Date is within the current reporting period.

Reported when Mandatory if Enforcement ID is non-null

Collection and usage attributes

Guide for use This is the broad classification for enforcement type. For the full detailed list, see the excel spreadsheet for large value domains and the tab listing Enforcement Actions. The full detail code goes into the Enforcement—Action—NN data element. (see also the derived element on page 121)

Purpose/context To calculate the total number of enforcements broad grouping.

Principal data users Department of Health (Public Health)

National reporting requirements Not applicable

Source and reference attributes

Department of Health common data dictionary

Definition source Department of Health (Public Health)

Definition source identifier

Value domain source Department of Health (Public Health)

Value domain identifier

Relational attributes

Related concepts Enforcement

Related data elements Enforcement—Action—NN

Edit/validation rules

Other related information

Administrative attributes

Version

Collection start date 1 July 2010

Food Recall—ID—N(20)

Identifying and definitional attributes

Definition	The unique identifier assigned by Department of Health and used within local government to identify a food recall issued to a premises
-------------------	--

Value domain attributes

Representational attributes

Representation class	Identifier	Data type	Number
Format	N(20)	Maximum character length	20
Permissible values instructions	Refer to the relevant Food Recall Notification issued of the Department of Health		

Data element attributes

Reporting attributes

Reported for	Every Food Recall undertaken for a given Premises where the Food Recall – Recall Date is within the current reporting period.
Reported when	Mandatory for each Food Recall to be submitted

Collection and usage attributes

Guide for use	Requirements to report on the gross number of food recalls
Purpose/context	To calculate the gross total of food recalls undertaken on a food premises given a set of reporting conditions
Principal data users	Department of Health (Public Health)
National reporting requirements	Not applicable

Source and reference attributes

Department of Health common data dictionary	
Definition source	Department of Health (Public Health)
Definition source identifier	
Value domain source	Department of Health (Public Health)
Value domain identifier	

Relational attributes

Related concepts	Food Recall
Related data elements	
Edit/validation rules	
Other related information	Enforcement identifier must be unique across all the transaction data received by the department from a given council and identifies an enforcement undertaken on a food premises under the jurisdiction of a given council

Administrative attributes

Version	
Collection start date	1 July 2010

Food Recall—Recall Date—DDMMYYYY

Identifying and definitional attributes

Definition The date which the food recall notice was issued by the Department of Health to the Council.

Value domain attributes

Representational attributes

Representation class	Date	Data type	Date
Format	DDMMYYYY	Maximum character length	8

Data element attributes

Reporting attributes

Reported for Every Food Recall undertaken for a given Premises where the Food Recall – Recall Date is within the current reporting period.

Reported when Mandatory if Food Recall - ID is non-null

Collection and usage attributes

Guide for use Date comparison to retrieve food recalls within a specified reporting date range. Must comply with Department of Health format for Date.

Purpose/context To be used as comparison token to filter records for a given reporting date range or at specific date

Principal data users Department of Health (Public Health)

National reporting requirements Not applicable

Source and reference attributes

Department of Health common data dictionary

Definition source Department of Health (Public Health)

Definition source identifier

Value domain source

Value domain identifier

Relational attributes

Related concepts Food Recall

Related data elements

Edit/validation rules FP01

Other related information

Administrative attributes

Version

Collection start date 1 July 2010

Food Recall—Type—NN

Identifying and definitional attributes

Definition The method in which a premises was contacted about the food recall initiative

Value domain attributes

Representational attributes

Representation class	Identifier	Data type	Number
Format	NN	Maximum character length	2
Permissible values	Value	Meaning	
	10	On Site Visit	
	11	Verbal Notification	
	12	Written Notification	

Data element attributes

Reporting attributes

Reported for Every Food Recall undertaken for a given Premises where the Food Recall – Recall Date is within the current reporting period.

Reported when Mandatory if Food Recall - ID is non-null

Collection and usage attributes

Guide for use

10	On site assessment of a food premises by council following the receipt of a food recall notification.
11	Food proprietors are contacted by Council via the telephone as a result of a food recall notification being received.
12	Food proprietors are contacted by Council via email, fax or letter as a result of a food recall notification being received.

Purpose/context To calculate the total number of food recalls by type

Principal data users Department of Health (Public Health)

National reporting requirements Not applicable

Source and reference attributes

Department of Health common data dictionary

Definition source Department of Health (Public Health)

Definition source identifier

Value domain source Department of Health (Public Health)

Value domain identifier

Relational attributes

Related concepts Food Recall

Related data elements

Edit/validation rules

Other related information

Administrative attributes

Version

Collection start date 1 July 2010

Inspection—Audit Assessment ID—N(20)

Identifying and definitional attributes

Definition	A reference to the unique identifier of a non-compliant Audit / Assessment that led to this Inspection
-------------------	--

Value domain attributes

Representational attributes

Representation class	Identifier	Data type	Number
Format	N(20)	Maximum character length	20

Data element attributes

Reporting attributes

Reported for	Every Inspection undertaken where the Inspection – Inspection Date is within the current reporting period and where a given Inspection was the result of an Audit / Assessment.
Reported when	Mandatory when Inspection – Type is equal to “1212” (“Non-Compliance Inspection”)

Collection and usage attributes

Guide for use	Councils should follow up a non-compliant audit/assessment with an inspection. The entry in this field can then be used to trace and recall the initial audit / assessment that triggered this inspection. Note: the related Audit Assessment may not be in the same reporting period as the Inspection.
Purpose/context	To be used to reference the Audit / Assessment that triggered this Inspection. To calculate the total number of Inspections that were the result of a non-compliant Audit / Assessment.
Principal data users	Department of Health (Public Health)
National reporting requirements	Not applicable

Source and reference attributes

Department of Health common data dictionary	
Definition source	Department of Health (Public Health)
Definition source identifier	
Value domain source	Department of Health (Public Health)
Value domain identifier	

Relational attributes

Related concepts	Inspection
Related data elements	Audit Assessment – ID
Edit/validation rules	FP03
Other related information	

Administrative attributes

Version	
Collection start date	1 July 2010

Inspection—Enforcement ID—N(20)

Identifying and definitional attributes

Definition	A reference to the unique identifier of an Enforcement that led to this Inspection
-------------------	--

Value domain attributes

Representational attributes

Representation class	Identifier	Data type	Number
Format	N(20)	Maximum character length	20

Data element attributes

Reporting attributes

Reported for	Every Inspection undertaken where the Inspection – Inspection Date is within the current reporting period and where a given Inspection was the result of an Enforcement.
Reported when	Mandatory when Inspection – Type is equal to “1220” (“Follow-Up Inspection”)

Collection and usage attributes

Guide for use	Councils should follow up an Enforcement with an inspection to ensure that the enforcement actions have been followed. The entry in this field can then be used to trace and recall the enforcement that triggered this inspection. Note: the related Enforcement may not be in the same reporting period as the Inspection.
Purpose/context	To be used to reference the Enforcement that triggered this Inspection. To calculate the total number of Inspections that were the result of an Enforcement.
Principal data users	Department of Health (Public Health)
National reporting requirements	Not applicable

Source and reference attributes

Department of Health common data dictionary	
Definition source	Department of Health (Public Health)
Definition source identifier	
Value domain source	Department of Health (Public Health)
Value domain identifier	

Relational attributes

Related concepts	Inspection
Related data elements	Enforcement – ID
Edit/validation rules	FP02
Other related information	

Administrative attributes

Version	
Collection start date	1 July 2010

Inspection—ID—N(20)

Identifying and definitional attributes

Definition	The unique identifier assigned by and used within local government to identify an inspection conducted on a food premises
-------------------	---

Value domain attributes

Representational attributes

Representation class	Identifier	Data type	Number
Format	N(20)	Maximum character length	20

Data element attributes

Reporting attributes

Reported for	Every Inspection undertaken where the Inspection – Inspection Date is within the current reporting period.
Reported when	Mandatory for each Inspection to be submitted

Collection and usage attributes

Guide for use	All reports
Purpose/context	To calculate the gross total of inspections conducted on a give food premises under the jurisdiction of a council for a given specified reporting conditions
Principal data users	Department of Health (Public Health)
National reporting requirements	Not applicable

Source and reference attributes

Department of Health common data dictionary	
Definition source	Department of Health (Public Health)
Definition source identifier	
Value domain source	Department of Health (Public Health)
Value domain identifier	

Relational attributes

Related concepts	Inspection
Related data elements	
Edit/validation rules	
Other related information	Inspection identifier is unique across the transactional data received by the department and identifies an inspection conducted on a food premises under the jurisdiction of a given council

Administrative attributes

Version	
Collection start date	1 July 2010

Inspection—Inspection Date—DDMMYYYY

Identifying and definitional attributes

Definition The date at which an inspection is conducted on a food premises

Value domain attributes

Representational attributes

Representation class	Date	Data type	Date
Format	DDMMYYYY	Maximum character length	8

Data element attributes

Reporting attributes

Reported for Every Inspection undertaken where the Inspection - Inspection Date is within the current reporting period.

Reported when Mandatory if Inspection - ID is non-null

Collection and usage attributes

Guide for use Date comparison to retrieve inspections that were conducted within a specified reporting date range. Must comply with Department of Health format for Date.

Purpose/context To be used as comparison token to filter records for a given reporting date range or at specific date

Principal data users Department of Health (Public Health)

National reporting requirements Not applicable

Source and reference attributes

Department of Health common data dictionary

Definition source Department of Health (Public Health)

Definition source identifier

Value domain source

Value domain identifier

Relational attributes

Related concepts Inspection

Related data elements

Edit/validation rules FP01

Other related information

Administrative attributes

Version

Collection start date 1 July 2010

Inspection—Result—NN

Identifying and definitional attributes

Definition	The result of the testing carried out on the food premises to determine compliance with the Food Act and the Codes or any other requirement. For example, payment of Infringement Notices.
-------------------	--

Value domain attributes

Representational attributes

Representation class	Code	Data type	Number
Format	NN	Maximum character length	2
Permissible values	Value	Meaning	
	10	Compliant	
	11	Major non compliance	
	12	Critical non compliance	
	13	Paid – Infringement Notice	
	14	Withdrawn / Cancelled – Infringement Notice	
	15	Unpaid enforcement under Infringement Act	

Data element attributes

Reporting attributes

Reported for	Every Inspection undertaken where the Inspection – Inspection Date is within the current reporting period.
Reported when	Mandatory if Inspection - ID is non-null

Collection and usage attributes

Guide for use	Calculate the number of inspections of a given outcome by premises
10	An inspection conducted by a Council officer to assess a food premises to ensure that the premises complies with the Food Act and Food Standards Codes.
11	Major non compliance with the Act and Code. The potential impact from a major non compliance is likely to compromise food safety if no remedial action is taken. For example lack of appropriate hand drying facility.
12	A critical non-compliance with the Act or Code where the potential impact is serious or imminent risk to public health is identified. For example: cross contamination issues; pest infestation; food handling practices; incorrect labelling
13	Paid – The Infringement Notice issued by Council and paid
14	Withdrawn/Cancelled – Infringement Notice issued to a food proprietor was withdrawn/cancelled by the Council.
15	Enforcement under the Infringement Act – The Infringement Notice was not paid and further action is being commenced by Council in accordance with the Infringement Act
Purpose/context	To calculate the total number of Inspections by result.
Principal data users	Department of Health (Public Health)
National reporting requirements	Not applicable

Source and reference attributes

Department of Health

common data dictionary

Definition source Department of Health (Public Health)

Definition source identifier

Value domain source The code list is derived by extracting inspection type code values from sources such as VicFIN and selected councils systems. The extracted values were harmonised which results in a common set of inspection type code list.

Value domain identifier

Relational attributes

Related concepts Inspection

Related data elements

Edit/validation rules

Other related information

Administrative attributes

Version

Collection start date 1 July 2010

Inspection—Type—NNNN

Identifying and definitional attributes

Definition A code that defines the types of inspections conducted on a food business establishment across Victoria

Value domain attributes

Representational attributes

Representation class	Code	Data type	Number
Format	NNNN	Maximum character length	4
Permissible values	Value	Meaning	
	1210	Routine Inspection	
	1211	Mandatory Inspection	
	1212	Non-Compliance Inspection / Follow-up to Council audit.	
	1213	Food complaint inspection - food adulteration (foreign object)	
	1214	Food complaint inspection- Microbiological	
	1215	Food complaint inspection- Chemical Adulteration	
	1216	Food complaint inspection- Food Premises Related	
	1217	Food poisoning inspection	
	1218	Undertaking application	
	1219	An inspection to determine that the undertaking application granted by the regulatory authority or by the Secretary has been complied within the timeframe specified in the accepted undertaking.	
	1220	Follow-Up Inspection	

Data element attributes

Reporting attributes

Reported for Every Inspection undertaken where the Inspection – Inspection Date is within the current reporting period.

Reported when Mandatory if Inspection - ID is non-null

Collection and usage attributes

Guide for use To calculate the number of each type of inspection performed on a given premises.

1210 To include: inspection as a result of failure food sampling and additional inspections undertaken in accordance with a council's risk management plan or an inspection undertaken at the request of the food proprietor.

1211 Inspections required under the Food Act, such as registration, transfer and renewal of registration for premises.

1212 Follow up inspection that has occurred as a result of a non-compliance with the Food Act / Food Standards Code / Food Safety Program detected during a previous assessment/audit, inspection, or audit undertaken by a Council Officer.

1213 Food complaint received from the community concerning food which has been allegedly adulterated by a foreign object.

1214 Alleged food poisoning or food spoilage complaint received from the

- community.
- 1215 Food complaint received from the community concerning food which has been adulterated by chemicals.
- 1216 Food complaint received from the community concerning a food premises such as:
- Storage Conditions
 - Food Handling/Personal Hygiene
 - Cleanliness
 - Structure
- 1217 A notification received from the department concerning a food poisoning investigation resulting in an inspection of a food premises.
- 1218 An inspection to determine that the undertaking application should be accepted/ granted by the regulatory authority or by the Secretary
- 1219 An inspection to determine that the undertaking application granted by the regulatory authority or by the Secretary has been complied within the timeframe specified in the accepted undertaking.
- 1220 A follow-up inspection scheduled to ensure that an enforcement actions has been followed.

Purpose/context	To calculate the number of Inspections by type.
Principal data users	Department of Health (Public Health)
National reporting requirements	Not applicable

Source and reference attributes

Department of Health common data dictionary

Definition source Department of Health (Public Health)

Definition source identifier

Value domain source The code list is derived by extracting inspection type code values from sources such as VicFIN and selected councils systems. The extracted values were harmonised which results in a common set of inspection type code list.

Value domain identifier

Relational attributes

Related concepts Inspection

Related data elements

Edit/validation rules

Other related information

Administrative attributes

Version

Collection start date 1 July 2010

Premises—Council Registration Number—A(15)

Identifying and definitional attributes

Definition The unique identifier assigned by and used within a specified council to identify a food business

Value domain attributes

Representational attributes

Representation class	Identifier	Data type	String
Format	A(15)	Maximum character length	15

Data element attributes

Reporting attributes

Reported for Every premises that was not closed before the start of the reporting period must be reported.

Reported when Mandatory. This is the only unique Council identifier of the premises reported to the Department of Health.

Collection and usage attributes

Guide for use Combined with Council ID to form a unique ID across all the department for each premises.

Purpose/context To be used as comparison token to filter records for a given premises.

Principal data users Department of Health (Public Health)

National reporting requirements Not applicable

Source and reference attributes

Department of Health common data dictionary

Definition source Department of Health (Public Health)

Definition source identifier

Value domain source Department of Health (Public Health)

Value domain identifier

Relational attributes

Related concepts Premises

Related data elements

Edit/validation rules

Other related information

Administrative attributes

Version

Collection start date 1 July 2010

Premises—Food Safety Program Type—NN

Identifying and definitional attributes

Definition A code that indicates the type of food safety program a given food premises is compliant to

Value domain attributes

Representational attributes

Representation class	Code	Data type	Number
Format	NN	Maximum character length	2
Permissible values	Value	Meaning	
	10	the department FSP templates	
	11	Other the department registered FSP templates	
	12	Proprietary FSPs	
	13	Section 19DD-Other non standard FSP	

Data element attributes

Reporting attributes

Reported for Every premises that was not closed before the start of the reporting period must be reported.

Reported when Mandatory if Premises – Type is 200 or 201 (i.e. “Class 1” or “Class 2” respectively).

Collection and usage attributes

Guide for use Requirements to report on the number of food premises using independent food safety program

10	the department developed and registered FSP that are adopted by the food premises
11	Privately developed FSP accepted by the department as suitable.
12	FSP developed by the proprietor of the food premises.
13	The use of the department declared specified quality assurance system or code that is used as the food safety program for the premises.

Purpose/context To be used as comparison token to filter premises records for a given Food Safety Program type.

Principal data users Department of Health (Public Health)

National reporting requirements Not applicable

Source and reference attributes

Department of Health common data dictionary

Definition source Department of Health (Public Health)

Definition source identifier

Value domain source Department of Health (Public Health)

Value domain identifier

Relational attributes

Related concepts Premises

Related data elements
Edit/validation rules
Other related information

Administrative attributes

Version

Collection start date 1 July 2010

Premises—Registration Date—DDMMYYYY

Identifying and definitional attributes

Definition A date at which a given food premises is first registered

Value domain attributes

Representational attributes

Representation class	Date	Data type	Date
Format	DDMMYYYY	Maximum character length	8

Data element attributes

Reporting attributes

Reported for Every premises that was not closed before the start of the reporting period must be reported.

Reported when Mandatory if Premises - ID is non-null

Collection and usage attributes

Guide for use Must comply with Department of Health format for Date.

Purpose/context To be used as comparison token to filter Premises records for a given reporting date range or at specific date

Principal data users Department of Health (Public Health)

National reporting requirements Not applicable

Source and reference attributes

Department of Health common data dictionary

Definition source Department of Health (Public Health)

Definition source identifier

Value domain source

Value domain identifier

Relational attributes

Related concepts Premises

Related data elements

Edit/validation rules

Other related information

Administrative attributes

Version

Collection start date 1 July 2010

Premises—Food Business Classification—NNN

Identifying and definitional attributes

Definition	Risk classification is a code to classify food businesses based on the type of food, activity of the business, method of processing and customer base
-------------------	---

Value domain attributes

Representational attributes

Representation class	Code	Data type	Number
Format	NNN	Maximum character length	3
Permissible values	Value	Meaning	
	200	Class 1: hospitals, child care centres and listed facilities for the aged at which ready to eat potentially hazardous food is served.	
	201	Class 2: other premises that handle potentially hazardous unpackaged foods.	
	202	Class 3: premises handling unpackaged low risk foods, selling potentially hazardous pre-packaged foods, or the warehouse/distribution of pre-packaged foods.	
	203	Class 4: premises that only retail pre-packaged low risk foods, and certain other low risk activities.	

Data element attributes

Reporting attributes

Reported for	Every premises that was not closed before the start of the reporting period must be reported.
Reported when	Mandatory if Premises - ID is non-null

Collection and usage attributes

Guide for use	200	<p>A class 1 food premises is:</p> <p>(a) a facility is declared at which potentially hazardous food is prepared for, or served to, patients, residents, or other persons receiving services at the facility (other than that part of the premises that is a canteen or other place at which food is available to be served to members of the public or staff of the facility); or</p> <p>(b) a food premises at which the predominant activity is preparing ready to eat food for either, or a combination of, the following purposes:</p> <ol style="list-style-type: none"> the food is intended to be served to patients, residents, or other persons receiving services at any of the facilities as declared; the food is intended to be delivered to aged persons in their homes or other persons who, due to illness, frailty or impairment are unable prepare their own food; or <p>(c) a supported residential service at which potentially hazardous food is prepared for, or served to, residents, and the majority of those residents are aged persons.</p>
	201	<p>A class 2 food premises is a food premises at which any unpackaged potentially hazardous food is handled, other than-</p> <ol style="list-style-type: none"> a class 1 food premises; or a food premises at which the only handling of unpackaged

potentially hazardous food is of a kind which renders the premises a class 3 or class 4 food premises;

(Note: a separate declaration will provide that a community group will not require a FSS if it sells ready-to-eat, potentially hazardous food at an event or events and-

- only operates for two consecutive days or less at any one event; and
- the majority of persons involved in the handling of the food are volunteers.)

- 203 A class 3 food premises is a food premises at which
- (a) one or more of the following food handling activities occurs:
- the handling of unpackaged low risk food; or
 - warehouses or distributes pre-packaged foods; or
 - the sale of pre-packaged potentially hazardous food; or
 - the sale of ready-to-eat, potentially hazardous food by a community group if-
 - o all of the food is cooked on site with the intention of being served immediately;
 - o the majority of persons involved in the handling of the food are volunteers; and
 - o this activity takes place at the premises for a maximum of two consecutive days at any one time- but does not include a food premises at which the only handling of food is of a kind which renders the premises a class 4 food premises.
- 204 A class 4 food premises is a food premises at which the only food handling activities are one or more of the following:
- (a) the sale to members of the public of:
- pre-packaged low risk food; or
 - wine, with or without low risk food or dairy food that has been prepared and is ready to eat, at a wine tasting; or
 - sausages that are cooked and served immediately, with or without onions cooked at the same time, and bread and sauce- when cooked and sold at a temporary food premises or by a non-profit body; or
 - cakes (other than cakes with a cream filling), biscuits, tea or coffee (with or without milk or soymilk) at a temporary premises by a community group; or
- (b) the sale to members of the public or the wholesale of whole (uncut) fruit or vegetables; or
- (c) the handling of low risk food or cut fruit or vegetables and the serving of that food to children at a sessional children's service.

Purpose/context	To calculate the number of Premises by food business type.
Principal data users	Department of Health (Public Health)
National reporting requirements	Not applicable

Source and reference attributes

**Department of Health
common data dictionary**

Definition source	Department of Health (Public Health)
Definition source identifier	
Value domain source	The code list is derived by extracting food premises type code values from

multiple sources such as VicFIN, ANSFA and several councils system. The extracted values were harmonized which results in a common set of food premises type code list.

Value domain identifier

Relational attributes

Related concepts Premises

Related data elements

Edit/validation rules

Other related information Classification and grouping of aggregated data in reports

Administrative attributes

Version

Collection start date 1 July 2010

Premises—Trading Name—X[X(99)]

Identifying and definitional attributes

Definition	The name which a premises operates under in the public domain (e.g. "McDonalds" even though the particular franchise may be owned by a group of investors with a business called "The Example Group")
-------------------	---

Value domain attributes

Representational attributes

Representation class	Text	Data type	String
Format	X[100]	Maximum character length	100

Data element attributes

Reporting attributes

Reported for	Every premises that was not closed before the start of the reporting period must be reported.
Reported when	Mandatory if Premises - ID is non-null for Council to retain. Not required to be transmitted to Department of Health.

Collection and usage attributes

Guide for use	Use the full trading name as displayed on the premises and advertising (e.g. use "McDonalds" instead of "Maccas")
Purpose/context	To calculate the number of Premises operating under the same trading name (e.g. the number of McDonalds in Melbourne).
Principal data users	Department of Health (Public Health)
National reporting requirements	Not applicable

Source and reference attributes

Department of Health common data dictionary	
Definition source	Department of Health (Public Health)
Definition source identifier	
Value domain source	Department of Health (Public Health)
Value domain identifier	

Relational attributes

Related concepts	Premises
Related data elements	
Edit/validation rules	
Other related information	

Administrative attributes

Version	
Collection start date	1 July 2010

Premises—Type—NNN

Identifying and definitional attributes

Definition A code to define the type of food business establishments across Victoria

NOTE: The Food Performance Reporting system will be used to report all Temporary and Mobile Food Premises until July 2011. At which time, all Temporary and Mobile Food Premise reporting will be done through Templink.

Value domain attributes

Representational attributes

Representation class	Code	Data type	Number
Format	NNN	Maximum character length	3
Permissible values instructions	Refer to Appendix I: Large-value domains for full list and explanations of all permissible values. The use of different styles below indicates the hierarchies within the codeset. (Full Guide for Use included in the Large Value Domain documentation)		

Examples from the full list:

Permissible values	Value	Meaning
	100	Community Events
	103	Bakery retailer
	111	Supermarket

Data element attributes

Reporting attributes

Reported for	Every premises that was not closed before the start of the reporting period must be reported.
Reported when	Mandatory if Premises - ID is non-null.

Collection and usage attributes

Guide for use	To be used to drive reporting by Premises Type Appendix I: Large value domains contains further instructions and details about each Premises Type.
Purpose/context	To calculate the number of Premises by type.
Principal data users	Department of Health (Public Health)
National reporting requirements	Not applicable

Source and reference attributes

Department of Health common data dictionary	
Definition source	Department of Health (Public Health)
Definition source identifier	
Value domain source	The code list is derived by extracting food premises type code values from multiple sources such as VicFIN, ANSFA and several councils system. The extracted values were harmonized which results in a common set of food premises type code list.
Value domain identifier	

Relational attributes

Related concepts Premises

Related data elements

Edit/validation rules

Other related information

Administrative attributes

Version

Collection start date 1 July 2010

Premises—Water Supply—NN

Identifying and definitional attributes

Definition A code that defines the type of water supply a food premises uses.

Value domain attributes

Representational attributes

Representation class	Code	Data type	Number
Format	NN	Maximum character length	2
Permissible values	Value	Meaning	
	10	The food premises is served by public water supply	
	11	The food premises is served by a private water supply	

Data element attributes

Reporting attributes

Reported for	Every premises that was not closed before the start of the reporting period must be reported.
Reported when	Mandatory if Premises - ID is non-null after 1 January 2011

Collection and usage attributes

Guide for use

Purpose/context	To be used to calculate the number of Premises with a given water supply type.
Principal data users	Department of Health (Public Health)
National reporting requirements	Not applicable

Source and reference attributes

Department of Health common data dictionary

Definition source	Department of Health (Public Health)
Definition source identifier	
Value domain source	Department of Health (Public Health)
Value domain identifier	

Relational attributes

Related concepts	Premises
Related data elements	
Edit/validation rules	
Other related information	

Administrative attributes

Version	
Collection start date	1 January 2011

Prosecution—ID—N(20)

Identifying and definitional attributes

Definition	The unique identifier assigned by and used within local government to identify an alleged offence brought before a court of law.
-------------------	--

Value domain attributes

Representational attributes

Representation class	Identifier	Data type	Number
Format	N(20)	Maximum character length	20

Data element attributes

Reporting attributes

Reported for	Every Prosecution initiated for a given Premises where the Prosecution – Initial Court Date is within the current reporting period.
Reported when	Mandatory for each Prosecution to be submitted

Collection and usage attributes

Guide for use	Requirements to report on the gross number of food premises that has prosecution actions taken
Purpose/context	To calculate the gross total of prosecution actions or outcomes undertaken on a food premises given a set of reporting conditions
Principal data users	Department of Health (Public Health)
National reporting requirements	Not applicable

Source and reference attributes

Department of Health common data dictionary	
Definition source	Department of Health (Public Health)
Definition source identifier	
Value domain source	Department of Health (Public Health)
Value domain identifier	

Relational attributes

Related concepts	Enforcement Outcome
Related data elements	Prosecution—Initial Court Date—DDMMYYYY, Prosecution—Inspection ID—N(20), Prosecution—Enforcement ID—N(20), Prosecution—Type—NN
Edit/validation rules	FP04
Other related information	Enforcement identifier must be unique across all the transaction data received by the department from a given council and identifies an enforcement undertaken on a food premises under the jurisdiction of a given council

Administrative attributes

Version	
Collection start date	1 July 2010

Prosecution—Initial Court Date—DDMMYYYY

Identifying and definitional attributes

Definition The date on which the court proceedings commenced.

Value domain attributes

Representational attributes

Representation class	Date	Data type	Date
Format	DDMMYYYY	Maximum character length	8

Data element attributes

Reporting attributes

Reported for Every Prosecution initiated for a given Premises where the Prosecution – Initial Court Date is within the current reporting period.

Reported when Mandatory if Prosecution ID is non-null

Collection and usage attributes

Guide for use Date comparison to retrieve prosecutions from a council that occurred within a specified reporting date range. Must comply with Department of Health format for Date.

Purpose/context To be used as comparison token to filter records for a given reporting date range or at specific date

Principal data users Department of Health (Public Health)

National reporting requirements Not applicable

Source and reference attributes

Department of Health common data dictionary

Definition source Department of Health (Public Health)

Definition source identifier

Value domain source

Value domain identifier

Relational attributes

Related concepts Prosecution

Related data elements Prosecution—ID—N(20), Prosecution—Initial Court Date—DDMMYYYY, Prosecution—Inspection ID—N(20), Prosecution—Enforcement ID—N(20), Prosecution—Type—NN

Edit/validation rules FP01, FP04

Other related information

Administrative attributes

Version

Collection start date 1 July 2010

Prosecution—Inspection ID—N(20)

Identifying and definitional attributes

Definition A reference to the unique identifier of an Inspection that led to this Prosecution

Value domain attributes

Representational attributes

Representation class	Identifier	Data type	Number
Format	N(20)	Maximum character length	20

Data element attributes

Reporting attributes

Reported for Every Prosecution initiated for a given Premises where the Prosecution – Initial Court Date is within the current reporting period and where this Prosecution is the result of an Inspection.

Reported when Mandatory when the Prosecution results from an Inspection.

Collection and usage attributes

Guide for use The entry in this field can be used to trace and recall the Inspection that triggered a given Prosecution. Note: the related Inspection may not be in the same reporting period as the Prosecution.

Purpose/context To be used to reference the Inspection that triggered this Prosecution. To calculate the total number of Prosecutions that were the result of a non-compliant Inspection.

Principal data users Department of Health (Public Health)

National reporting requirements Not applicable

Source and reference attributes

Department of Health common data dictionary

Definition source Department of Health (Public Health)

Definition source identifier

Value domain source Department of Health (Public Health)

Value domain identifier

Relational attributes

Related concepts Prosecution

Related data elements Inspection – ID, Prosecution—ID—N(20), Prosecution—Initial Court Date—DDMMYYYY, Prosecution—Enforcement ID—N(20), Prosecution—Type—NN

Edit/validation rules FP04

Other related information

Administrative attributes

Version

Collection start date 1 July 2010

Prosecution—Enforcement ID—N(20)

Identifying and definitional attributes

Definition	A reference to the unique identifier of an Enforcement that led to this Prosecution
-------------------	---

Value domain attributes

Representational attributes

Representation class	Identifier	Data type	Number
Format	N(20)	Maximum character length	20

Data element attributes

Reporting attributes

Reported for	Every Prosecution initiated for a given Premises where the Prosecution – Initial Court Date is within the current reporting period and where this Prosecution is the result of an Enforcement.
Reported when	Mandatory when Enforcement – Type equal “12” (“Prosecution”).

Collection and usage attributes

Guide for use	The entry in this field can be used to trace and recall the Enforcement that triggered the Prosecution. Note: the related Enforcement may not be in the same reporting period as the Prosecution.
Purpose/context	To be used to reference the Enforcement that triggered this Prosecution. To calculate the total number of Prosecutions that were the result of an Enforcement action.
Principal data users	Department of Health (Public Health)
National reporting requirements	Not applicable

Source and reference attributes

Department of Health common data dictionary	
Definition source	Department of Health (Public Health)
Definition source identifier	
Value domain source	Department of Health (Public Health)
Value domain identifier	

Relational attributes

Related concepts	Prosecution
Related data elements	Prosecution—ID—N(20), Prosecution—Initial Court Date—DDMMYYYY, Prosecution—Inspection ID—N(20), Enforcement—Action—NN, Enforcement ID—N(20), Prosecution—Type—NN
Edit/validation rules	FP04
Other related information	

Administrative attributes

Version	
Collection start date	1 July 2010

Prosecution—Type—NN

Identifying and definitional attributes

Definition A code to identify alleged offence to be prosecuted by a council against a food proprietor.

Value domain attributes

Representational attributes

Representation class	Identifier	Data type	Number
Format	NN	Maximum character length	2
Permissible values instructions	There are only the ten values listed here.		
Permissible values	Value	Meaning	
	68	Prosecution-Handling food in an unsafe manner	
	69	Prosecution – Knowingly selling unsafe food	
	70	Prosecution- Knowingly falsely describing food	
	71	Prosecution- Handling and sale of unsafe food	
	72	Prosecution- Handling and sale of unsuitable food	
	73	Prosecution- Misleading conduct relating to sale of food	
	74	Prosecution-Sale of food not complying with purchaser’s demand	
	75	Prosecution- Sale of unfit equipment or packaging or labelling material	
	76	Prosecution-compliance with Food Standard Codes	
	77	Prosecution -others	

Data element attributes

Reporting attributes

Reported for Every Prosecution issued for a given Premises where the Prosecution – Initial Court Date is within the current reporting period.

Reported when Mandatory if Prosecution ID is non-null

Collection and usage attributes

Guide for use Where there is a Prosecution to notify to the Department of Health on the premises.

Purpose/context To calculate the total number of prosecutions by grouping.

Principal data users Department of Health (Public Health)

National reporting requirements Not applicable

Source and reference attributes

Department of Health common data dictionary

Definition source Department of Health (Public Health)

Definition source identifier

Value domain source Department of Health (Public Health)

Value domain identifier

Relational attributes

Related concepts Prosecution, Enforcement, Inspection

Related data elements Prosecution—ID—N(20), Prosecution—Initial Court Date—DDMMYYYY,
Prosecution—Inspection ID—N(20), Prosecution—Enforcement ID—N(20),
Prosecution—Type—NN, Enforcement—Action—NN

Edit/validation rules

Other related information

Administrative attributes

Version

Collection start date 1 July 2010

Current Registration Status - Current Description—X[X(99)]

Identifying and definitional attributes

Definition Any additional notes accompanying the current registration status.

Value domain attributes

Representational attributes

Representation class	Text	Data type	String
Format	X[100]	Maximum character length	100

Data element attributes

Reporting attributes

Reported for	Every Premises
Reported when	Optional

Collection and usage attributes

Guide for use	Used to enter any additional information about the registration if required.
Purpose/context	To provide additional context to any status changes.
Principal data users	Department of Health (Public Health)
National reporting requirements	Not applicable

Source and reference attributes

Department of Health common data dictionary	
Definition source	Department of Health (Public Health)
Definition source identifier	
Value domain source	Department of Health (Public Health)
Value domain identifier	

Relational attributes

Related concepts	Registration Status
Related data elements	Registration Status—Registration Condition
Edit/validation rules	
Other related information	

Administrative attributes

Version	
Collection start date	1 July 2010

Current Registration Status – Current Registration Condition—NN

Identifying and definitional attributes

Definition	A code that identifies the current status of registration for a given food premises
-------------------	---

Value domain attributes

Representational attributes

Representation class	Code	Data type	Number
Format	NN	Maximum character length	2
Permissible values	Value	Meaning	
	10	Initial Registration	
	11	Renewal Registration	
	12	Transfer Registration	
	13	Conditional Registration	
	14	Refuse Renewal of Registration	
	15	Registrations revoked or suspended	
	16	Notification of premises exempt from registration	
	17	Unregistered Food Premises	
	18	Closed by Proprietor	
	19	Pending Registration	

Data element attributes

Reporting attributes

Reported for	Every Premises
Reported when	Mandatory

Collection and usage attributes

Guide for use	Requirements in compliance reports to report on food premises under the jurisdiction of a given council that are registered
10	Initial Registration: Initial council registration of a food premises in accordance with the Act. The registration authority providing a registration certificate to the proprietor of the food premises.
11	Renewal Registration: Certificate registration issued by the registering authority to a proprietor of a food business with an existing Food Act registration certificate.
12	Transfer Registration: Certificate of registration issued by the registering authority to a new proprietor of an existing registered food premises.
13	Conditional Registration: A condition placed on a new, renewal of registration or transfer of registration by the registering authority.
14	Refuse Renewal of Registration: Where council has serious concerns about a food premises, and does not consider that these are likely to be addressed satisfactorily by the proprietor, it can refuse to grant a Food Act registration certificate.
15	Registrations revoked or suspended: Where council has serious concerns about a food premises and suspend or revoked the premises Food Act registration.

- 16 Notification of premises exempt from registration: Div 2 Part 6- The registration authority on receiving a notification under Div 2 Part 6 for a food premises that are exempted from registration.
- 17 A food business operating from a premises that is not registered in accordance with Part 6 of the Act with the council of the municipal district in which the premises is located or during any time that the registration is suspended
- 18 A voluntary and permanent closure of the premise by the Proprietor. If the Proprietor wishes to re-open the premise after this closure, they must re-register and a new Registration Number will therefore be provided.
- 19 A time period between the Food Act registration period ending for a particular food premises and the renewal / transfer of registration being granted by Council.

Purpose/context To be used as comparison token to filter food premises records based on a registration status

Principal data users Department of Health (Public Health)

National reporting requirements Not applicable

Source and reference attributes

Department of Health common data dictionary

Definition source Department of Health (Public Health)

Definition source identifier

Value domain source Department of Health (Public Health)

Value domain identifier

Relational attributes

Related concepts Registration Status

Related data elements

Edit/validation rules

Other related information

Administrative attributes

Version

Collection start date 1 July 2010

Current Registration Status – Current Period – Current End – DDMMYYYY

Identifying and definitional attributes

Definition The date a registration status was ended, terminated, or lapsed.

Value domain attributes

Representational attributes

Representation class	Date	Data type	Date
Format	DDMMYYYY	Maximum character length	8

Data element attributes

Reporting attributes

Reported for	Every Premises
Reported when	Mandatory

Collection and usage attributes

Guide for use	Date comparison such that search results falls within a specified reporting date range. If the registration status is still active, no End date is required. Must comply with Department of Health format for Date.
Purpose/context	To be used as comparison token to filter records for a given reporting date range or at specific date
Principal data users	Department of Health (Public Health)
National reporting requirements	Not applicable

Source and reference attributes

Department of Health common data dictionary

Definition source	Department of Health (Public Health)
Definition source identifier	
Value domain source	
Value domain identifier	

Relational attributes

Related concepts	Registration Status
Related data elements	Registration Status – Current – Registration Condition, Registration Status – Current – Period – End
Edit/validation rules	
Other related information	

Administrative attributes

Version	
Collection start date	1 July 2010

Current Registration Status – Current Period – Current Start –DDMMYYYY

Identifying and definitional attributes

Definition The date the premises was granted its current registration status.

Value domain attributes

Representational attributes

Representation class	Date	Data type	Date
Format	DDMMYYYY	Maximum character length	8

Data element attributes

Reporting attributes

Reported for	Every Premises
Reported when	Mandatory if Registration Status – Current – Registration Condition is non-null

Collection and usage attributes

Guide for use	Date comparison such that search results falls within a specified reporting date range. Must comply with Department of Health format for Date
Purpose/context	To be used as comparison token to filter records for a given reporting date range or at specific date
Principal data users	Department of Health (Public Health)
National reporting requirements	Not applicable

Source and reference attributes

Department of Health common data dictionary

Definition source	Department of Health (Public Health)
Definition source identifier	
Value domain source	
Value domain identifier	

Relational attributes

Related concepts	Registration Status
Related data elements	Registration Status – Current – Registration Condition, Registration Status – Current – Period – End
Edit/validation rules	
Other related information	

Administrative attributes

Version	
Collection start date	1 July 2010

Historical Registration Status – Historical Description— X[X(99)]

Identifying and definitional attributes

Definition Any additional notes accompanying a historical registration status.

Value domain attributes

Representational attributes

Representation class	Text	Data type	String
Format	X[100]	Maximum character length	100

Data element attributes

Reporting attributes

Reported for Reported for every Premises where Registration Status – Historical – Period – End date is within the reporting period.

Reported when Optional

Collection and usage attributes

Guide for use Used to enter any additional information about the registration if required.

Purpose/context To provide additional context to any status changes.

Principal data users Department of Health (Public Health)

National reporting requirements Not applicable

Source and reference attributes

Department of Health common data dictionary

Definition source Department of Health (Public Health)

Definition source identifier

Value domain source Department of Health (Public Health)

Value domain identifier

Relational attributes

Related concepts Registration Status

Related data elements Registration Status – Registration Condition

Edit/validation rules

Other related information

Administrative attributes

Version

Collection start date 1 July 2010

Historical Registration Status – Historical Registration Condition—NN

Identifying and definitional attributes

Definition	A code that identifies a historical status of registration for a given food premises
-------------------	--

Value domain attributes

Representational attributes

Representation class	Code	Data type	Number
Format	NN	Maximum character length	2
Permissible values	Value	Meaning	
	10	Initial Registration	
	11	Renewal Registration	
	12	Transfer Registration	
	13	Conditional Registration	
	14	Refuse Renewal of Registration	
	15	Registrations revoked or suspended	
	16	Notification of premises exempt from registration	
	17	Unregistered Food Premises	

Data element attributes

Reporting attributes

Reported for	Reported for every Premises where Registration Status – Historical – Period – End date is within the reporting period.
Reported when	Historical registration data is optional. Ideally if previous registration detail is desired, the full set of Registration Status – Description, Registration Status – Registration Condition, Registration Status – Period – End, Registration Status – Period – Start, will be entered to cover each previous registration historical status.

Collection and usage attributes

Guide for use	Requirements in compliance reports to report on food premises under the jurisdiction of a given council that are registered
10	Initial Registration: Initial council registration of a food premises in accordance with the Act. The registration authority providing a registration certificate to the proprietor of the food premises.
11	Renewal Registration: Certificate registration issued by the registering authority to a proprietor of a food business with an existing Food Act registration certificate.
12	Transfer Registration: Certificate of registration issued by the registering authority to a new proprietor of an existing registered food premises.
13	Conditional Registration: A condition placed on a new, renewal of registration or transfer of registration by the registering authority.
14	Refuse Renewal of Registration: Where council has serious concerns about a food premises, and does not consider that these are likely to be addressed satisfactorily by the proprietor, it can refuse to grant a Food Act registration certificate.
15	Registrations revoked or suspended: Where council has serious

- concerns about a food premises and suspend or revoked the premises Food Act registration.
- 16 Notification of premises exempt from registration: Div 2 Part 6- The registration authority on receiving a notification under Div 2 Part 6 for a food premises that are exempted from registration.
- 17 A food business operating from a premises that is not registered in accordance with Part 6 of the Act with the council of the municipal district in which the premises is located or during any time that the registration is suspended
- 18 A voluntary and permanent closure of the premise by the Proprietor. If the Proprietor wishes to re-open the premise after this closure, they must re-register and a new Registration Number will therefore be provided.

Purpose/context To be used as comparison token to filter food premises records based on a registration status

Principal data users Department of Health (Public Health)

National reporting requirements Not applicable

Source and reference attributes

Department of Health common data dictionary

Definition source Department of Health (Public Health)

Definition source identifier

Value domain source Department of Health (Public Health)

Value domain identifier

Relational attributes

Related concepts Registration Status

Related data elements

Edit/validation rules

Other related information

Administrative attributes

Version

Collection start date 1 July 2010

Historical Registration Status – Historical Period–Historical End – DDMMYYYY

Identifying and definitional attributes

Definition The date a historical registration status was ended, terminated, or lapsed.

Value domain attributes

Representational attributes

Representation class	Date	Data type	Date
Format	DDMMYYYY	Maximum character length	8

Data element attributes

Reporting attributes

Reported for Reported for every Premises where Registration Status – Historical – Period – End date is within the reporting period.

Reported when Mandatory if Registration Status – Historical – Registration Condition is non-null. Historical registration data is optional. Ideally if previous registration detail is desired, the full set of Registration Status – Description, Registration Status – Registration Condition, Registration Status – Period – End, Registration Status – Period – Start, will be entered to cover each previous registration historical status.

Collection and usage attributes

Guide for use Date comparison such that search results falls within a specified reporting date range. Must comply with Department of Health format for Date.

Purpose/context To be used as comparison token to filter records for a given reporting date range or at specific date

Principal data users Department of Health (Public Health)

National reporting requirements Not applicable

Source and reference attributes

Department of Health common data dictionary

Definition source Department of Health (Public Health)

Definition source identifier

Value domain source

Value domain identifier

Relational attributes

Related concepts Registration Status

Related data elements Registration Status – Historical – Registration Condition, Registration Status – Historical – Period – End

Edit/validation rules

Other related information

Administrative attributes

Version

Collection start date 1 July 2010

Historical Registration Status – Historical Period— Historical Start – DDMMYYYY

Identifying and definitional attributes

Definition	The date the premises was granted a historical registration status. The start date for the premises previous registration period.
-------------------	--

Value domain attributes

Representational attributes

Representation class	Date	Data type	Date
Format	DDMMYYYY	Maximum character length	8

Data element attributes

Reporting attributes

Reported for	Reported for every Premises where Registration Status – Historical – Period – End date is within the reporting period.
Reported when	Mandatory if Registration Status – Historical – Registration Condition is non-null. Historical registration data is optional. Ideally if previous registration detail is desired, the full set of Registration Status – Description, Registration Status – Registration Condition, Registration Status – Period – End, Registration Status – Period – Start, will be entered to cover each previous registration historical status.

Collection and usage attributes

Guide for use	Date comparison such that search results falls within a specified reporting date range
Purpose/context	To be used as comparison token to filter records for a given reporting date range or at specific date
Principal data users	Department of Health (Public Health)
National reporting requirements	Not applicable

Source and reference attributes

Department of Health common data dictionary

Definition source	Department of Health (Public Health)
Definition source identifier	
Value domain source	
Value domain identifier	

Relational attributes

Related concepts	Registration Status
Related data elements	Registration Status – Historical – Registration Condition, Registration Status – Historical – Period – End

Edit/validation rules

Other related information

Administrative attributes

Version

Collection start date	1 July 2010
------------------------------	-------------

Verdict—ID—N(20)

Identifying and definitional attributes

Definition	The unique identifier assigned by and used within local government to identify the verdict/result of a court prosecution.
-------------------	---

Value domain attributes

Representational attributes

Representation class	Identifier	Data type	Number
Format	N(20)	Maximum character length	20

Data element attributes

Reporting attributes

Reported for	Every Verdict issued for a given Premises where the Verdict – Verdict Date is within the current reporting period.
Reported when	Mandatory for each Verdict to be submitted

Collection and usage attributes

Guide for use	Requirements to report on the gross number of food premises that have been convicted for infractions to The Food Act 1984
Purpose/context	To calculate the gross total of verdicts for a food premises given a set of reporting conditions
Principal data users	Department of Health (Public Health)
National reporting requirements	Not applicable

Source and reference attributes

Department of Health common data dictionary	
Definition source	Department of Health (Public Health)
Definition source identifier	
Value domain source	Department of Health (Public Health)
Value domain identifier	

Relational attributes

Related concepts	Verdict
Related data elements	
Edit/validation rules	FP05
Other related information	Verdict identifier must be unique across all the transaction data received by the department from a given council and identifies an enforcement undertaken on a food premises under the jurisdiction of a given council

Administrative attributes

Version	
Collection start date	1 July 2010

Verdict—Nature of Sentence—X[X(99)]

Identifying and definitional attributes

Definition The penalty or sentence imposed for each offence or any other orders, including whether a conviction is recorded by the court.

Value domain attributes

Representational attributes

Representation class	Text	Data type	String
Format	X[100]	Maximum character length	100

Data element attributes

Reporting attributes

Reported for	Every Verdict issued for a given Premises where the Verdict – Verdict Date is within the current reporting period.
Reported when	Mandatory if Verdict - ID is non-null

Collection and usage attributes

Guide for use	Enter all details of the sentence imposed (e.g. "Fine of \$5000")
Purpose/context	To provide the details of sentence imposed.
Principal data users	Department of Health (Public Health)
National reporting requirements	Not applicable

Source and reference attributes

Department of Health common data dictionary	
Definition source	Department of Health (Public Health)
Definition source identifier	
Value domain source	Department of Health (Public Health)
Value domain identifier	

Relational attributes

Related concepts	Verdict
Related data elements	
Edit/validation rules	FP05
Other related information	

Administrative attributes

Version	
Collection start date	1 July 2010

Verdict—Prosecution ID—N(20)

Identifying and definitional attributes

Definition A reference to the unique identifier of a Prosecution that led to this Verdict

Value domain attributes

Representational attributes

Representation class	Identifier	Data type	Number
Format	N(20)	Maximum character length	20

Data element attributes

Reporting attributes

Reported for Every Verdict issued for a given Premises where the Verdict – Verdict Date is within the current reporting period and where this Verdict resulted from a given Prosecution.

Reported when Mandatory if Verdict - ID is non-null

Collection and usage attributes

Guide for use The entry in this field can then be used to trace and recall the Prosecution that triggered this Verdict. Note: the related Prosecution may not be in the same reporting period as the Verdict.

Purpose/context To be used to reference the Prosecution that triggered this Verdict.

Principal data users Department of Health (Public Health)

National reporting requirements Not applicable

Source and reference attributes

Department of Health common data dictionary

Definition source Department of Health (Public Health)

Definition source identifier

Value domain source Department of Health (Public Health)

Value domain identifier

Relational attributes

Related concepts Verdict

Related data elements Prosecution – ID

Edit/validation rules FP05

Other related information

Administrative attributes

Version

Collection start date 1 July 2010

Verdict—Type—NN

Identifying and definitional attributes

Definition A code that defines the verdict given by the court

Value domain attributes

Representational attributes

Representation class	Identifier	Data type	Number
Format	NN	Maximum character length	2
Permissible values	Value	Meaning	
	10	Not Guilty	
	11	Guilty – No conviction recorded	
	12	Guilty – Conviction recorded	
	13	Any other sentence imposed. eg CBO.	

Data element attributes

Reporting attributes

Reported for Every Verdict issued for a given Premises where the Verdict – Verdict Date is within the current reporting period.

Reported when Mandatory if Verdict - ID is non-null

Collection and usage attributes

Guide for use Used to determine if the premises was convicted

Purpose/context To calculate the total number of convictions

Principal data users Department of Health (Public Health)

National reporting requirements Not applicable

Source and reference attributes

Department of Health common data dictionary

Definition source Department of Health (Public Health)

Definition source identifier

Value domain source Department of Health (Public Health)

Value domain identifier

Relational attributes

Related concepts Verdict

Related data elements

Edit/validation rules FP05

Other related information

Administrative attributes

Version

Collection start date 1 July 2010

Verdict—Verdict Date—DDMMYYYY

Identifying and definitional attributes

Definition The date on which the verdict was given in court

Value domain attributes

Representational attributes

Representation class	Date	Data type	Date
Format	DDMMYYYY	Maximum character length	8

Data element attributes

Reporting attributes

Reported for Every Verdict issued for a given Premises where the Verdict – Verdict Date is within the current reporting period.

Reported when Mandatory if Verdict - ID is non-null

Collection and usage attributes

Guide for use Date comparison to retrieve verdicts from a council that occurred within a specified reporting date range. Must comply with Department of Health format for Date.

Purpose/context To be used as comparison token to filter records for a given reporting date range or at specific date

Principal data users Department of Health (Public Health)

National reporting requirements Not applicable

Source and reference attributes

Department of Health common data dictionary

Definition source Department of Health (Public Health)

Definition source identifier

Value domain source

Value domain identifier

Relational attributes

Related concepts Verdict

Related data elements

Edit/validation rules FP01, FP05

Other related information

Administrative attributes

Version

Collection start date 1 July 2010

Data element specification – Derived Data Elements

Address—statistical local area (SLA)—N[9]

Identifying and definitional attributes

Definition The smallest level of geography contained in the *Australian Standard Geographical Classification* (ASGC).

Value domain attributes

Representational attributes

Representation class	Numeric	Data type	String
Format	N[9]	Maximum character length	9
Permissible values instructions	Refer to Chapter 15, ASGC 2007, ABS Catalogue No. 1216.0 (1,426 SLAs in Australia, including one SLA for each of the three territories of Jervis Bay, Christmas Island and Cocos (Keeling) Islands). Refer to ARDD v.1 Appendix 3: Large-value domains for a derivation using postcode and locality as the source data elements. Examples from the full list are below:		

Permissible values	Value	Meaning
	245150111	Alpine (S)—east
	220050571	Ballarat (C)—central

	225107631	Yarriambiack (S)—north
	225107632	Yarriambiack (S)—south

	255208649	Bass Strait Islands
	28019779	off-shore areas and migratory

	NNNN	and so on

Data element attributes

Reporting attributes

Reported for	Each Premises
Reported when	It is recommended that Councils derive this, but it is not a required element to be transmitted to the Department of Health. The Australian Bureau of Statistics publish a Postcode to SLA concordance, which may be of value to Councils in determining the SLA totals.

Collection and usage attributes

Guide for use	The abbreviations denoted after the SLA name are shown below: A area B borough C city RC rural city S shire
----------------------	--

Purpose/context	To determine the physical location of each Premises
Principal data users	Department of Health (Public Health)

National reporting requirements	Not applicable
<i>Source and reference attributes</i>	
Department of Health common data dictionary	ARDD v1
Definition source	METeOR
Definition source identifier	327460—Statistical Local Area
Value domain source	Australian Bureau of Statistics, Australian Standard Geographic Classification (ASGC 2007)
Value domain identifier	
<i>Relational attributes</i>	
Related concepts	
Related data elements	Address—local government area Address—locality name Address—mesh block Address—postcode
Edit/validation rules	
Other related information	
<i>Administrative attributes</i>	
Version	
Collection start date	1 July 2010

Enforcement—Type—NN

Identifying and definitional attributes

Definition A code indicating the category and severity of an enforcement

Value domain attributes

Representational attributes

Representation class	Identifier	Data type	Number
Format	NN	Maximum character length	2
Permissible values instructions	Derived from the value selected in Enforcement - Action		
Permissible values	Value	Meaning	
	10	General Enforcement Action	
	11	Infringement Notice	
	12	Prosecution	

Data element attributes

Reporting attributes

Reported for	Every Enforcement that has an Enforcement - Action Date within the current reporting period.
Reported when	Will be automatically determined by the system if Enforcement ID is non-null

Collection and usage attributes

Guide for use	Value of "10" to be derived if Enforcement - Action = "10" - "18" Value of "11" to be derived if Enforcement - Action = "19" - "67" Value of "12" to be derived if Enforcement - Action = "68" - "77"
Purpose/context	To calculate the total number of enforcements by type
Principal data users	Department of Health (Public Health)
National reporting requirements	Not applicable

Source and reference attributes

Department of Health common data dictionary	
Definition source	Department of Health (Public Health)
Definition source identifier	
Value domain source	Department of Health (Public Health)
Value domain identifier	

Relational attributes

Related concepts	Enforcement
Related data elements	Enforcement - Action
Edit/validation rules	
Other related information	

Administrative attributes

Version	
Collection start date	1 July 2010

Data element specification – Transmission Data

Elements

The transmission data elements are usually automatically generated and therefore should not need to be manually collected or entered.

The transmission data elements are listed in alphabetical order.

File Header—AgencyIdentifier—NNNN[N]

Identifying and definitional attributes

Definition The agency submitting the data. (NB: Will be the same as Council – ID)

Value domain attributes

Representational attributes

Representation class	Codelist	Data type	String
Format	NNNN[N]	Maximum character length	5
Permissible values instructions	Agency Identifier and Council – ID are synonym in the context of this data dictionary. See Appendix I – Large Value Domains in this document for the full list of values		
Permissible values	Value	Meaning	
	6031	Ararat Rural City Council	
	10393	Banyule City Council	
		

Data element attributes

Reporting attributes

Reported for Each transmission
Reported when Mandatory

Collection and usage attributes

Guide for use Use same value as in Council - ID
Purpose/context To identify the agency reporting
Principal data users Department of Health (Public Health)
National reporting requirements Not applicable

Source and reference attributes

Department of Health common data dictionary TRDD v1
Definition source Department of Health (Public Health)
Definition source identifier
Value domain source Department of Health (Public Health)
Value domain identifier

Relational attributes

Related concepts File Header
Related data elements Council – ID

Edit/validation rules

Other related information

[*Administrative attributes*](#)

Version

Collection start date 1 July 2010

File Header—Data Collection Code—AAA[AAA]

Identifying and definitional attributes

Definition A unique identifier for each program data collection.

Value domain attributes

Representational attributes

Representation class	Code	Data type	String
Format	AAA[AAA]	Maximum character length	6
Permissible values	Value	Meaning	
	FOODFS	Food Sampling	
	FOODPR	Food Performance	

Data element attributes

Reporting attributes

Reported for Each transmission.

Reported when Mandatory

Collection and usage attributes

Guide for use

Purpose/context To identify the data collection this transmission relates to.

Principal data users Department of Health (Public Health)

National reporting requirements Not applicable

Source and reference attributes

Department of Health common data dictionary TRDD v1

Definition source Department of Health (IM strategy unit)

Definition source identifier

Value domain source Department of Health (IM strategy unit)

Value domain identifier

Relational attributes

Related concepts File Header

Related data elements File Header—version identifier

Edit/validation rules
T001 Incorrect combination of data collection code and record type
T002 Incorrect combination of data collection code, reporting period and version identifier

Other related information

Administrative attributes

Version

Collection start date 1 July 2010

File Header—Data Transmission Identifier— YYYYMMDDHHMM

Identifying and definitional attributes

Definition The date and time the transmission file is generated.

Value domain attributes

Representational attributes

Representation class	Time	Data type	Date/time
Format	YYYYMMDDHHMM	Maximum character length	12
Permissible values	Value	Meaning	
	YYYY	Calendar year	
	MM	Calendar month, a preceding zero is need for months between January and September	
	DD	Days in a month; a preceding zero is need for days 1 to 9	
	HH	Hours, in 24-hour format, a preceding zero is needed for hours between 1–9	
	MM	Minutes, in 60-minute format, a preceding zero is needed between 1–9	

Data element attributes

Reporting attributes

Reported for Each transmission
Reported when Mandatory

Collection and usage attributes

Guide for use Must comply with Department of Health format for Date/Time. The use of the data transmission identifier ensures that each successive transmission file from each organisation is identified uniquely.

Purpose/context To filter transmissions by a given range of dates.

Principal data users Department of Health (Public Health)

National reporting requirements Not applicable

Source and reference attributes

Department of Health common data dictionary TRDD v1

Definition source Department of Health (IM strategy unit)

Definition source identifier

Value domain source

Value domain identifier

Relational attributes

Related concepts File Header

Related data elements File Header—Transmission File Number

Edit/validation rules T003 Current data transmission identifier is in the future
T004 Current data transmission identifier is not after previous data

transmission identifier

Other related information

Administrative attributes

Version

Collection start date 1 July 2010

File Header—Transmission—Record Count—N[NNNN]

Identifying and definitional attributes

Definition The number of records in the transmission file following the header record.

Value domain attributes

Representational attributes

Representation class	Total	Data type	Number
Format	N[NNNN]	Maximum character length	3
Permissible values instructions	Value range 1–500		

Data element attributes

Collection and usage attributes

Guide for use For .xml file format, the maximum number is 500.
The use of the number of records following helps to ensure that RRHACS data repository receives all records included in a transmission file.
If the number of records following does not equal to the physical count of the number of individual records in the transmission file minus 1 (that is, the header record), the transmission file will be rejected.

Source and reference attributes

Definition source Department of Human Services (IM strategy unit)

Definition source identifier

Value domain source Department of Human Services (IM strategy unit)

Value domain identifier

Relational attributes

Related concepts Transmission file, File Header.

Related data elements Transmission—record type, File Header—Portion Number

Edit/validation rules
T005 Incorrect number of records following.
T009 Number of records following is outside of the acceptable range.

Other related information

Administrative attributes

Version

Collection start date 1 July 2010

File Header—Portion Number—N[NNN]

Identifying and definitional attributes

Definition	The number identifying the portion in the transmission file. For Food Performance if the total number of premises to be reported is greater than 500, the records more be segmented into portions. The Portion Number indicates the sequence of this segmentation.
-------------------	--

Value domain attributes

Representational attributes

Representation class	Total	Data type	Number
Format	N[NNN]	Maximum character length	4
Permissible values instructions	Value range 1–500		

Data element attributes

Reporting attributes

Reported for	Each transmission.
Reported when	Mandatory

Collection and usage attributes

Guide for use	Transmission files consist of one or more portions which enable efficient transmission. This data element supports accurate reassembling of the portions of a transmission file. Note that if the file format is .csv, the maximum number of records in a portion is 99999; whereas for .xml, it is 500. Portion Number 1 =The first 500 Premises Records Portion Number 2 = Premise records 501 to 1000 Portion Number 3 = Premise records 1001 to 1500 ...
Purpose/context	To uniquely identify the transmission file portion.
Principal data users	Department of Health (Public Health)
National reporting requirements	Not applicable

Source and reference attributes

Department of Health common data dictionary	TRDD v1
Definition source	Department of Health (IM strategy unit)
Definition source identifier	
Value domain source	Department of Health (IM strategy unit)
Value domain identifier	

Relational attributes

Related concepts	File Header
Related data elements	
Edit/validation rules	T006 Portion number is missing
Other related information	

Administrative attributes

Version

Collection start date 1 July 2010

File Header—Reporting Period Calendar Year Quarter— YYYYQN

Identifying and definitional attributes

Definition The quarterly reporting period of the calendar year to which the transmission file relates.

Value domain attributes

Representational attributes

Representation class	Code	Data type	String
Format	YYYYQN	Maximum character length	6
Permissible values	Value	Meaning	
	YYYY	Calendar year	
	QN	Number of quarter. Valid values are:	
		Q1	January to March
		Q2	April to June
		Q3	July to September
		Q4	October to December

Data element attributes

Reporting attributes

Reported for Each transmission.

Reported when Mandatory

Collection and usage attributes

Guide for use

Purpose/context Used to filter transmissions by a given reporting period.

Principal data users Department of Health (Public Health)

National reporting requirements Not applicable

Source and reference attributes

Department of Health common data dictionary TRDD v1

Definition source Department of Health (IM strategy unit)

Definition source identifier

Value domain source Department of Health (IM strategy unit)

Value domain identifier

Relational attributes

Related concepts File Header

Related data elements

Edit/validation rules T002 Incorrect combination of data collection code, reporting period and version identifier

T007 Reporting period is incorrect

Other related information

Administrative attributes

Version

Collection start date 1 July 2010

File Header—Transmission File Number—N[NNN]

Identifying and definitional attributes

Definition A number that uniquely identifies each transmission file.

Value domain attributes

Representational attributes

Representation class	Identifier	Data type	Number
Format	N[N]	Maximum character length	2
Permissible values instructions	Organisations should send in files with sequential transmission file numbers. Only files that are successfully processed are recognised.		

Data element attributes

Reporting attributes

Reported for	Each transmission.
Reported when	Mandatory

Collection and usage attributes

Guide for use	The use of the transmission file number ensures that each successive transmission file from an organisation is uniquely identified. The Transmission File Number used should be reset to "1" for each new quarter reported.
Purpose/context	To uniquely identify this transmission.
Principal data users	Department of Health (Public Health)
National reporting requirements	Not applicable

Source and reference attributes

Department of Health common data dictionary	TRDD v1
Definition source	Department of Health (IM strategy unit)
Definition source identifier	
Value domain source	Department of Health (IM strategy unit)
Value domain identifier	

Relational attributes

Related concepts	File Header
Related data elements	File Header—Data Transmission Identifier
Edit/validation rules	T008 Transmission file number is not sequential
Other related information	

Administrative attributes

Version	
Collection start date	1 July 2010

File Header—Version Identifier—NNN(N)

Identifying and definitional attributes

Definition The version of the data collection to which the transmission file relates.

Value domain attributes

Representational attributes

Representation class	Code	Data type	Number
Format	NNN(N)	Maximum character length	4
Permissible values instructions	Decimal points used in the value are not counted as a number and are not transmitted. For example, in HACCC, version N.NN for version 2.01 is counted as comprising three numbers. Examples are below.		

Permissible values	Value	Meaning
	100	1.00 version
	200	2.00 version

Data element attributes

Reporting attributes

Reported for Each transmission.

Reported when Mandatory

Collection and usage attributes

Guide for use

Purpose/context To identify the version of the data collection definition that this transmission complies to.

Principal data users Department of Health (Public Health)

National reporting requirements Not applicable

Source and reference attributes

Department of Health common data dictionary TRDD v1

Definition source Department of Health (IM strategy unit)

Definition source identifier

Value domain source Department of Health (IM strategy unit)

Value domain identifier

Relational attributes

Related concepts

Related data elements File Header—Data Collection Code

Edit/validation rules T002 Incorrect combination of data collection code, reporting period and version identifier

Other related information

Administrative attributes

Version

Collection start date	1 July 2010
------------------------------	-------------

Edit/validation rules

Edit/validation rule specification—instructions for use

The edit/validation rules are presented in a table, with the heading of each column denoting the attribute of the edit/validation rule.

The following section provides details on the individual attributes of the edit/validation rules, to assist reading the edit/validation rules presented.

ID	The identifier of the edit/validation rule. These identifiers are not used as the edit/validation rule identifier by individual data collections. This will appear alongside the edit name within each data element specification associated with the edit/validation rule.
Edit name	A short description of the edit/validation rule. This will appear alongside the identifier within each data element specification associated with the edit/validation rule.
Data element	This identifies which data elements are involved in the application of that edit/validation rule.
Description	This describes the edit/validation rule logic in more detail. It explains the data elements and values involved, and how their relationship can cause errors.
Pseudo code/rule	Simplified structured English explaining the technical logic defining the edit/validation rule, in order to pick up records which fail the edit/validation rule.
Source	Provides information regarding where the edit/validation rule was sourced/developed. The following hierarchical sources are used: National (METeOR): Edit/validation rules which were sourced from METeOR, and are contained in at least one data element recorded on METeOR. National (other): Edit/validation rules which were sourced from national documents, for at least one data element to which the edit/validation rule applies. In many cases, the edit/validation rule is described in the transmission specification of a national minimum data set (NMDS). The source of the edit/validation rule is provided through the use of a legend. The department: Edit/validation rules sourced from at least one departmental data set, for at least one data element to which the edit/validation rule applies, or developed specifically for the <i>Address reference data dictionary</i> .
Status	The category which the edit/validation rule falls under, according to the logic of the edit/validation rule: critical, notifiable or warning.

Edit/validation rule specification

Priority for development and documentation of the edit/validation rules included:

- edit/validation rules in national standards
- edit/validation rules applied to NMDSs
- 'critical-type' edit/validation rules.

Purposely excluded are basic 'validation-type' edit/validation rules, which encompass:

- Mandatory fields that are blank
- values reported which are not part of the valid codeset.

These are excluded because they are already built into the XML schema.

The following are the relevant validation rules for the Food Performance XML Schema.

Food Performance Rules

ID	Edit name	Data elements	Description	Pseudo code/rule	Source	Status
FP01	Correct Date Range	Enforcement – Action Date, Prosecution – Prosecution Date, Inspection – Inspection Date, Audit Assessment – Conducted Date, Food Recall – Recall Date, Complaint – Complaint Received Date	Dates must fall within the current reporting period. Dates must not be in the future.	Reporting Period Start < Date < Reporting Period End	Department of Health	Critical
FP02	Inspection from Enforcement	Inspection – Type, Inspection – Enforcement ID	If the inspection is a Follow-Up Inspection, the initiating Enforcement must be referenced	If Inspection – Type = "1220" Inspection – Enforcement ID must be non-null	Department of Health	Notifiable
FP03	Inspection from Audit Assessment	Inspection – Type, Inspection – Audit Assessment ID	If the inspection is a Non-Compliance Inspection, the initiating Audit / Assessment must be referenced	If Inspection – Type = "1212" Inspection – Audit Assessment ID must be non-null	Department of Health	Notifiable
FP04	Prosecution from Inspection	Prosecution ID, Prosecution-Enforcement ID, Prosecution-Inspection ID. Prosecution-Initial Court Date-DDMMYYYY	If there is a Prosecution, it will be referenced by an Inspection. Prosecution-Enforcement ID is optionally filled and associated with the Prosecution.	If Prosecution ID is non-null then Prosecution-Inspection ID must be non-null. Prosecution-Initial Court Date-DDMMYYYY must also be non-null.	Department of Health	Notifiable
FP05	Verdict from Prosecution	Verdict ID, Verdict-Prosecution ID, Verdict-Prosecution ID, Verdict-Nature of Sentence, Verdict-Verdict Date.	If there is a Verdict, it will be referenced by a Prosecution.	If Verdict ID is non-null then Verdict-Prosecution ID must be non-null. Verdict-Verdict Date-DDMMYYYY must also be non-null.	Department of Health	Notifiable
FP06	Enforcement Inspection or Audit not both	Audit-Assessment ID, Enforcement-Inspection ID, Enforcement-Audit Assessment ID.	Enforcement involves one or the other of Enforcement-Inspection or Enforcement-Audit Assessment.	If Enforcement-Inspection ID = null then Enforcement-Audit Assessment ID = not-null. If Enforcement-Inspection ID = non-null then Enforcement-Audit Assessment ID = null.	Department of Health	Notifiable

File Header Rules

ID	Edit name	Data elements	Description	Pseudo code/rule	Source	Status
T001	Incorrect combination of data collection code and record type	File Header—Data Collection Code—AAA[AAA] Record type	Only valid combinations of data collection code and record type are allowed	Combination of data collection code and record type is not listed in E/VR ref table ¹ data collection code and record type: valid combinations	Department of Health	Critical
T002	Incorrect combination of data collection code, reporting period and version identifier	File Header—Data Collection Code—AAA[AAA] File Header—Reporting Period Calendar Year Quarter—YYYYQN File Header—Version Identifier—NNN(N)	Only valid combinations of data collection code, reporting period and version identifier are allowed	Combination of data collection code, reporting period and version identifier is not listed in E/VR ref table data collection code, reporting period and version identifier: valid combinations	Department of Health	Critical
T003	Current data transmission identifier is in the future	File Header—Data Transmission Identifier— YYYYMMDDHHMM	Data transmission identifier can not be in the future	Data transmission identifier > today ²	Department of Health	Critical
T004	Current data transmission identifier is not after previous data transmission identifier	File Header—Data Transmission Identifier— YYYYMMDDHHMM	The data transmission identifier must be after the previous data transmission identifier	Current data transmission identifier ≤ previous data transmission identifier	Department of Health	Critical
T005	Incorrect number of records following	File Header—Transmission—Record Count—N[NNNN]	The number of records following does not match the number of records in the transmission file	Number of records following ≠ the number of rows in the transmission file	Department of Health	Critical
T006	Portion number is missing	File Header—Portion Number—N[NNN]	Portion numbers must be numbered sequentially without gaps in the sequence	Portion number is not 1 and there is no other portion number = [current portion number -1]	Department of Health	Critical

ID	Edit name	Data elements	Description	Pseudo code/rule	Source	Status
T007	Reporting period is incorrect	File Header—Reporting Period Calendar Year Quarter—YYYYQN	The current reporting period must either be a repeat of previous reporting period accepted, or the next sequential reporting period	Current reporting period \neq previous reporting period Or \neq [previous reporting period +1]	Department of Health	Critical
T008	Transmission file number is not sequential	File Header—Transmission File Number—N[NNN]	The current transmission file number must be the next sequential transmission file number (already accepted)	Current transmission file number \neq previous [transmission file number +1]	Department of Health	Critical
T009	Number of records following is outside of the acceptable range.	File Header—Transmission—Record Count—N[NNNN]	The number of records following in each portion in the transmission file must be in the range from 1 to 500 only.	Number of records following satisfies the rule $1 \leq$ File Header—Transmission—Record Count—N[NNNN] \leq 500	Department of Health	Critical

Address Rules

Note: Although address details are not required for transmission to the Department of Health, if the relevant Data Elements were to be included in the future, the following address rules would apply. It is therefore recommended that Councils keep address Data Elements related to the transmitted Premises details and be aware of the following rules.

ID	Edit name	Data elements	Description	Pseudo code/rule	Source	Status
AD03	Level number is zero or a negative number	Address—level number—[X(5)]	Where level number is entered, the value must not be less than 1	Level number > 0	Department of Health	Critical
AD04	Incorrect combination of postcode and locality name	Address—locality name—A(46) Address—postcode—N(4)	Only valid combinations of postcode and locality name are allowed	Combination of postcode and locality name is not listed in the ARDD v.1 Appendix 3: Large-value domains file	Department of Health	Critical
AD05	Road number range in reverse order	Address—road number 1—X(6) Address—road number 2—X(6)	Where road number 2 is entered, the value must be greater than road number 1	Road number 2 > road number 1	Department of Health	Critical
AD06	Road range must include road number 1	Address—road number 1—X(6) Address—road number 2—X(6)	Where road number 2 is present, road number 1 must also be present	Road number 2 is populated And road number 1 must be populated	Department of Health	Critical

Abbreviations

ABS	Australian Bureau of Statistics
AIHW	Australian Institute of Health and Welfare
ARDD	Address reference data dictionary
AS	Australian Standard
AS/NZS	Australian Standard/New Zealand Standard
ASGC	Australian Standard Geographical Classification
CADD	Common asset data dictionary
CCDD	<i>Common client data dictionary</i>
CCDS	Common client data set
CFDD	<i>Common finance data dictionary</i>
CIDD	<i>Common incident data dictionary</i>
CODD	<i>Common organisation data dictionary</i>
CQDD	<i>Common quality data dictionary</i>
CRDD	<i>Common and reference data dictionaries</i>
CSDD	<i>Common service data dictionary</i>
CWDD	<i>Common workforce data dictionary</i>
DH	Department of Health
FSP	Food Safety Program
ICT	Information and communication technology
IM	Information management
ISO	International Standards Organisation
MDS	Minimum data set
METeOR	Metadata online repository
NMDS	National minimum data set
SA	Standards Australia
TRDD	<i>Transmission reference data dictionary</i>
VicFIN	<i>Victoria Food Information Network</i>

Appendix I – Large Value Domains

To reduce the size of this document, and for ease in using the large value domains, they are presented in an Excel document, which accompanies this document. Please refer to the Excel spreadsheet containing full value lists for Large Value Domains. It is located as the second document for download in the following webpage
http://www.health.vic.gov.au/foodsafety/regulatory_info/fpds/fpds.htm.

Large value domains that relate to the FPDS are:

- Council - ID
- Enforcement - Action
- Premises – Type

Appendix II –Data Release and Confidentiality

All data collection and reporting requirements administered by the department are required to comply with the Information Privacy Act 2000 and the Health Records Act 2001 and to act compatibly with the Charter of Human Rights and Responsibilities Act 2006.

The data custodian/manager of each data collection is required to understand the *Charter of Human Rights and Responsibilities Act 2006* and act consistently with the human rights in the charter.

The departmental administrative arrangements for the charter acts are:

- Operations Division, through the Human Resources Branch, which has responsibility for coordinating training
- Legal Services Branch, which has responsibility for providing advice in relation to the charter and coordinating the review of legislation and policy to ensure it is compatible with the charter.

All departmental data collections are bound by either the *Information Privacy Act 2000* or the *Health Records Act 2001*, depending on the type of information collected.

Each Act has an accompanying set of privacy principles (the Information Privacy Principles and Health Privacy Principles respectively). The principle topic areas, listed in Table 2, below, are broadly the same, although there are some additional requirements for health information.⁴

Table 1 Information privacy principles and health privacy principles topic areas

Principle	Information Privacy Principles	Health Privacy Principles
1	Collection	Collection
2	Use and disclosure	Use and disclosure
3	Data quality	Data quality
4	Data security	Data security and data retention
5	Openness	Openness
6	Access and correction	Access and correction
7	Unique identifiers	Identifiers
8	Anonymity	Anonymity
9	Transborder data flows	Transborder data flows
10	Sensitive information	Transfer or closure of the practice of a health service provider
11		Making information available to another health service provider

Privacy principle 1 "Collection" specifies a requirement that the department must be able to articulate the nature of the information collected and the purposes for which information is used. This is one of the reasons that the attributes of purpose/context, principal data users and national reporting requirements are included in the Data Element Specification Template.

It should be noted that national privacy legislation or guidelines do not take precedence over the Victorian Acts. If applicable, the department is still required to comply with the Commonwealth privacy legislation but generally, in ensuring compliance with the Victorian legislation, the department will also be complying with the Commonwealth privacy legislation.

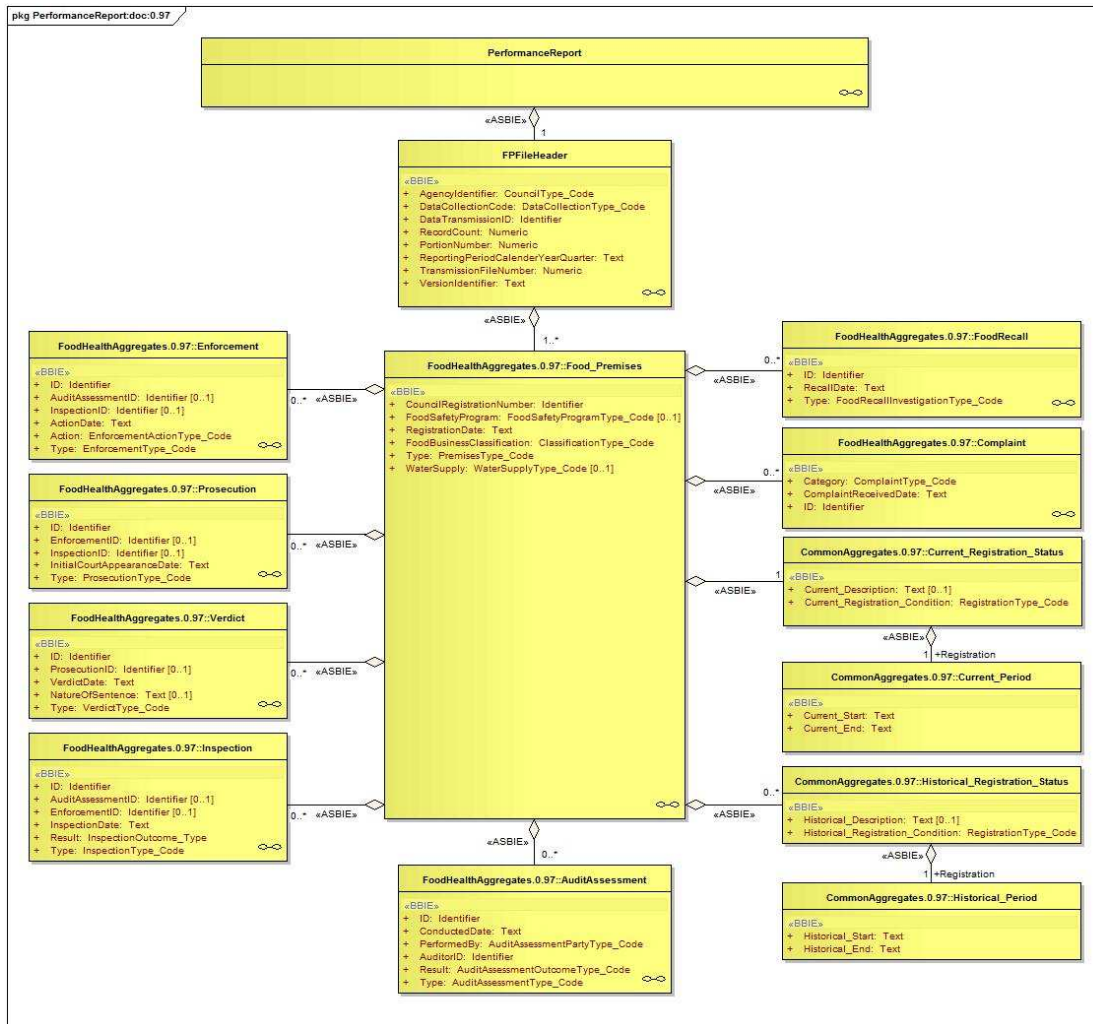
In a general sense, the collection of different types of information will require assessment against the human rights and privacy legislation. There should be clear communication with stakeholders where legislation specifically allows collection of personal information (including

sensitive information) (as defined in the *Information Privacy Act 2000*). This communication should make reference to and be consistent with the relevant legislation.

Appendix III – Food Performance Transmission Format

Performance Reporting Logical Data Model

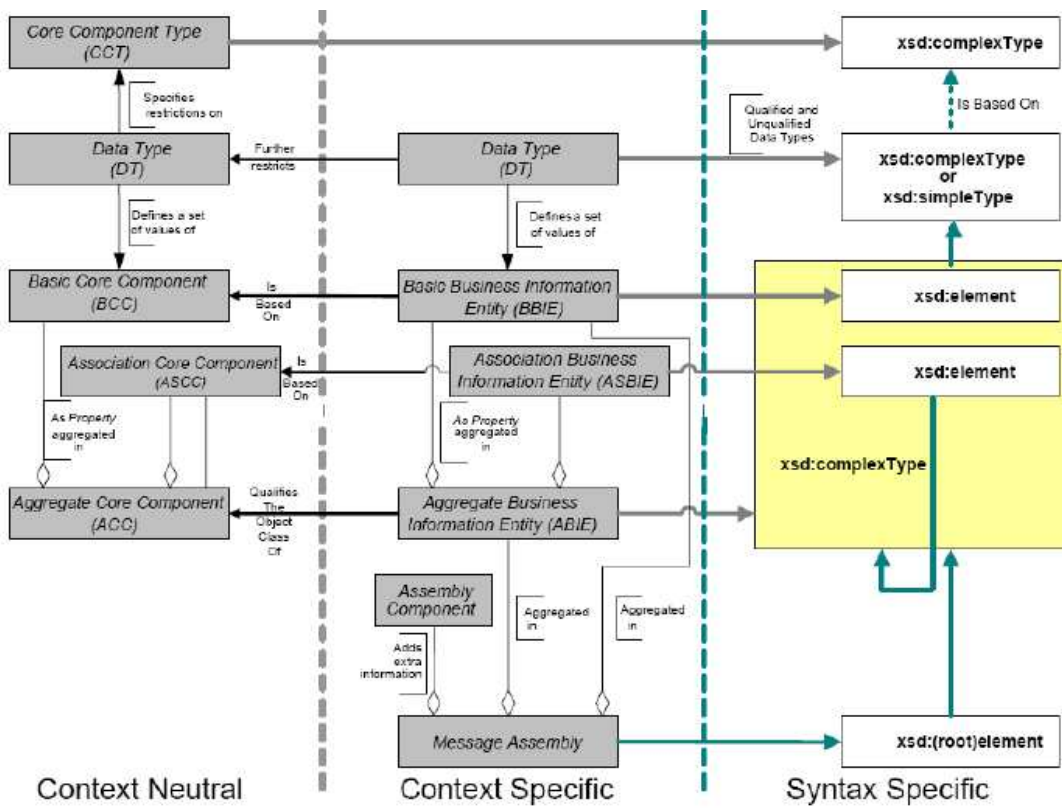
Show below is the logical data model for the Performance Reporting Transmission format. This model provides a simplified overview for the Performance Reporting XML Schema definition.



Introduction to the Performance Reporting XML Schema

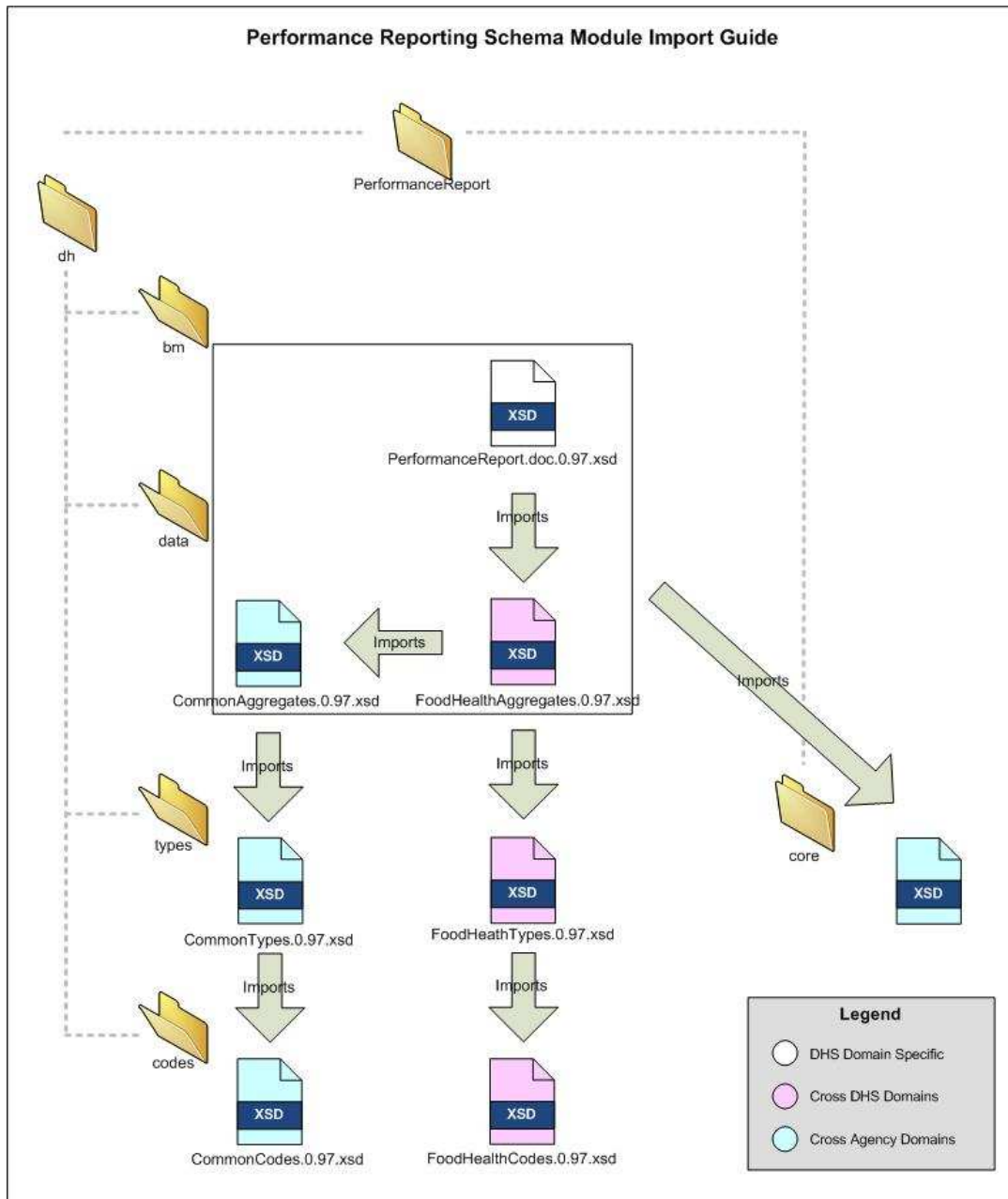
Logical Data Model and XML Schema Relationships

Shown below is the representation as to how the Food Performance Logical Data Model is transformed into XML Schema constructions. Technical readers will find this a useful reference when reviewing the Food Performance XML Schema transmission format.



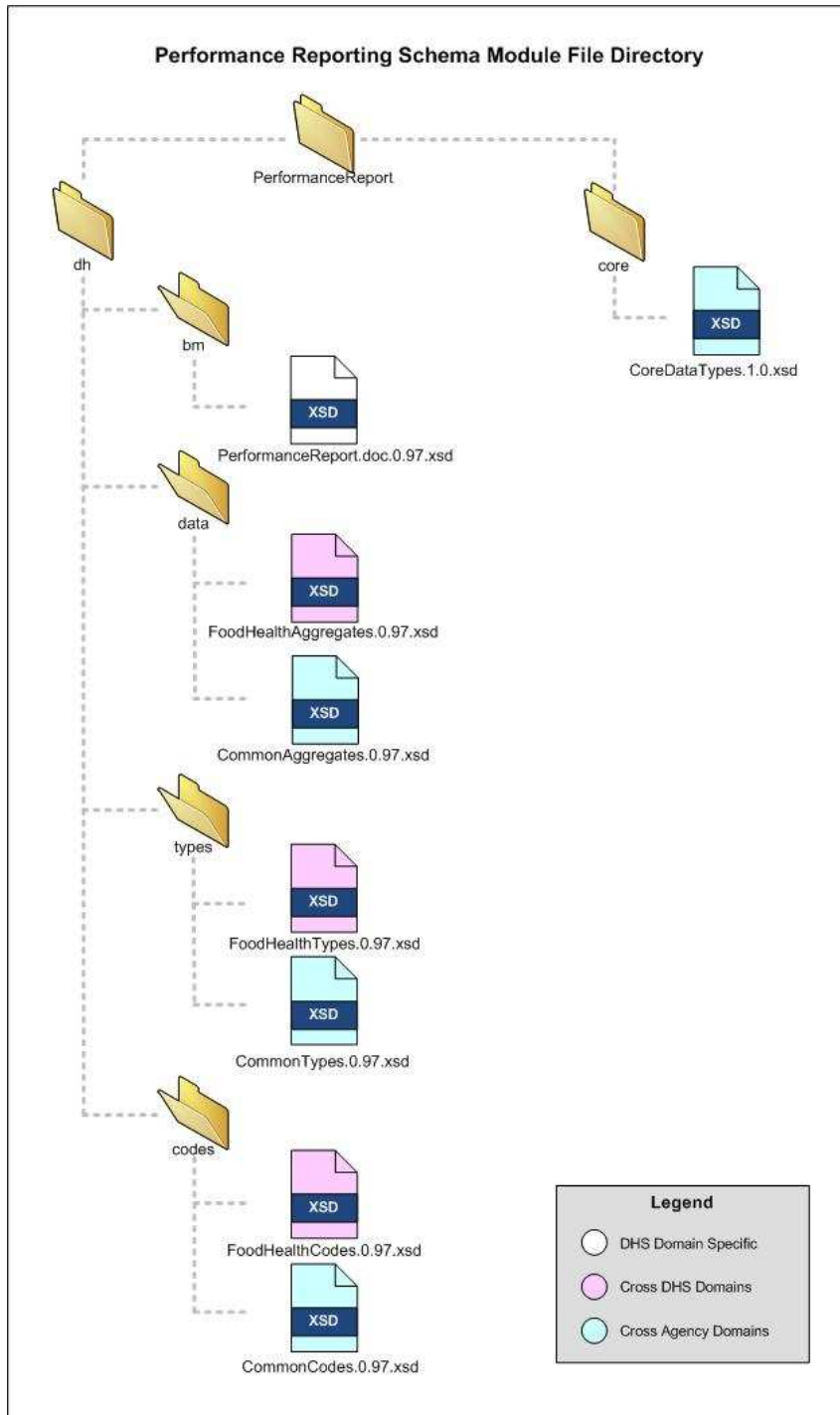
Schema Module Imports

This diagram below provides the technical reader with an overview of the relationships between the individual Schema Modules contained within the Food Performance XML Schema transmission format definition.



Schema Module Folder Structure

The diagram below provides a guide to the file folder structure and the individual schema modules.



Food Performance XML Schema Files

The food performance data XML schema files are available from the Food Performance website. The actual XML is reproduced in the following pages here.

Food Performance XML Schema Definitions

In this section, each individual schema module is presented. Please refer to the section above that defines the hierarchal structure of these schema modules.

Food Performance Doc Schema Module

```
<?xml version="1.0"?>
<xsd:schema xmlns:bie1="urn:dhs:data:FoodHealthAggregates:0.97" xmlns:doc="urn:dhs:doc:PerformanceReporting:0.97"
xmlns:qdt1="urn:dhs:types:FoodHealthTypes:0.97"
xmlns:ccts="urn:un:unece:uncefact:documentation:standard:CoreComponentsTechnicalSpecification:2" xmlns:udt1="urn:xml-gov-
au:draft:types:coredatatypes:1.0" xmlns:xsd="http://www.w3.org/2001/XMLSchema"
targetNamespace="urn:dhs:doc:PerformanceReporting:0.97" elementFormDefault="qualified" attributeFormDefault="unqualified"
version="0.97">
  <xsd:import namespace="urn:dhs:types:FoodHealthTypes:0.97" schemaLocation="../../dh/types/FoodHealthTypes.0.97.xsd"/>
  <xsd:import namespace="urn:xml-gov-au:draft:types:coredatatypes:1.0"
schemaLocation="../../core/CoreDataTypes.1.0.xsd"/>
  <xsd:import namespace="urn:dhs:data:FoodHealthAggregates:0.97"
schemaLocation="../../dh/data/FoodHealthAggregates.0.97.xsd"/>
  <xsd:annotation>
    <xsd:documentation>
      <!--XML Schema produced by VIENNAAddIn Add-In version 0.0.1.21185-->
    </xsd:documentation>
  </xsd:annotation>
  <xsd:complexType name="PerformanceReportType">
    <xsd:sequence>
      <xsd:element name="FPFileHeader" type="doc:FPFileHeaderType">
        <xsd:annotation>
          <xsd:documentation xml:lang="en">
            <ccts:Acronym>ASBIE</ccts:Acronym>
            <ccts:Cardinality>1</ccts:Cardinality>
          </xsd:documentation>
        </xsd:annotation>
      </xsd:element>
    </xsd:sequence>
  </xsd:complexType>
  <xsd:complexType name="FPFileHeaderType">
    <xsd:sequence>
      <xsd:element name="AgencyIdentifier" type="qdt1:CouncilType_CodeType">
        <xsd:annotation>
          <xsd:documentation xml:lang="en">
            <ccts:Acronym>BBIE</ccts:Acronym>
            <ccts:Definition>The agency submitting the data.</ccts:Definition>
            <ccts:Cardinality>1..1</ccts:Cardinality>
          </xsd:documentation>
        </xsd:annotation>
      </xsd:element>
      <xsd:element name="DataCollectionCode" type="qdt1:DataCollectionType_CodeType">
        <xsd:annotation>
          <xsd:documentation xml:lang="en">
            <ccts:Acronym>BBIE</ccts:Acronym>
            <ccts:Definition>A unique identifier for each program data
collection.</ccts:Definition>
            <ccts:Cardinality>1..1</ccts:Cardinality>
          </xsd:documentation>
        </xsd:annotation>
      </xsd:element>
      <xsd:element name="DataTransmissionID" type="udt1:IdentifierType">
        <xsd:annotation>
          <xsd:documentation xml:lang="en">
            <ccts:Acronym>BBIE</ccts:Acronym>
            <ccts:Definition>The date and time the transmission file is
generated.</ccts:Definition>
            <ccts:Cardinality>1..1</ccts:Cardinality>
          </xsd:documentation>
        </xsd:annotation>
      </xsd:element>
    </xsd:sequence>
  </xsd:complexType>
</xsd:schema>
```

```

    <xsd:element name="RecordCount" type="udt1:NumericType">
      <xsd:annotation>
        <xsd:documentation xml:lang="en">
          <ccts:Acronym>BBIE</ccts:Acronym>
          <ccts:Definition>The number of records contained in this
portion.</ccts:Definition>
          <ccts:Cardinality>1..1</ccts:Cardinality>
        </xsd:documentation>
      </xsd:annotation>
    </xsd:element>
    <xsd:element name="PortionNumber" type="udt1:NumericType">
      <xsd:annotation>
        <xsd:documentation xml:lang="en">
          <ccts:Acronym>BBIE</ccts:Acronym>
          <ccts:Definition>The number identifying the portion in the transmission
file.</ccts:Definition>
          <ccts:Cardinality>1..1</ccts:Cardinality>
        </xsd:documentation>
      </xsd:annotation>
    </xsd:element>
    <xsd:element name="ReportingPeriodCalenderYearQuarter" type="udt1:TextType">
      <xsd:annotation>
        <xsd:documentation xml:lang="en">
          <ccts:Acronym>BBIE</ccts:Acronym>
          <ccts:Definition>The quarterly reporting period of the calendar year to
which the transmission file relates.</ccts:Definition>
          <ccts:Cardinality>1..1</ccts:Cardinality>
        </xsd:documentation>
      </xsd:annotation>
    </xsd:element>
    <xsd:element name="TransmissionFileNumber" type="udt1:NumericType">
      <xsd:annotation>
        <xsd:documentation xml:lang="en">
          <ccts:Acronym>BBIE</ccts:Acronym>
          <ccts:Definition>A number that uniquely identifies each transmission
file.</ccts:Definition>
          <ccts:Cardinality>1..1</ccts:Cardinality>
        </xsd:documentation>
      </xsd:annotation>
    </xsd:element>
    <xsd:element name="VersionIdentifier" type="udt1:TextType">
      <xsd:annotation>
        <xsd:documentation xml:lang="en">
          <ccts:Acronym>BBIE</ccts:Acronym>
          <ccts:Definition>The version of the data collection to which the
transmission file relates.</ccts:Definition>
          <ccts:Cardinality>1..1</ccts:Cardinality>
        </xsd:documentation>
      </xsd:annotation>
    </xsd:element>
    <xsd:element name="Food_Premises" type="bie1:Food_PremisesType" maxOccurs="unbounded">
      <xsd:annotation>
        <xsd:documentation xml:lang="en">
          <ccts:Acronym>ASBIE</ccts:Acronym>
          <ccts:Cardinality>1..*</ccts:Cardinality>
        </xsd:documentation>
      </xsd:annotation>
    </xsd:element>
  </xsd:sequence>
</xsd:complexType>
<xsd:element name="PerformanceReport" type="doc:PerformanceReportType"/>
</xsd:schema>

```

Information Aggregate Schema Modules

In this section, the schema module definitions for the Information Aggregate Schema modules are provided.

Food and Health Common Aggregate Schema Module

```

<?xml version="1.0"?>
<xsd:schema xmlns:udt6="urn:xml-gov-au:draft:types:coredatatypes:1.0" xmlns:qdt8="urn:dhs:types:FoodHealthTypes:0.97"
xmlns:bie="urn:dhs:data:CommonAggregates:0.97"
xmlns:ccts="urn:un:unece:uncefact:documentation:standard:CoreComponentsTechnicalSpecification:2"
xmlns:qdt9="urn:dhs:types:CommonTypes:0.97" xmlns:xsd="http://www.w3.org/2001/XMLSchema"
targetNamespace="urn:dhs:data:CommonAggregates:0.97" elementFormDefault="qualified" attributeFormDefault="unqualified"
version="0.97">

```

```

<xsd:import namespace="urn:dhs:types:FoodHealthTypes:0.97" schemaLocation="../../dh/types/FoodHealthTypes.0.97.xsd"/>
<xsd:import namespace="urn:xml-gov-au:draft:types:coredatatypes:1.0"
schemaLocation="../../core/CoreDataTypes.1.0.xsd"/>
<xsd:import namespace="urn:dhs:types:CommonTypes:0.97" schemaLocation="../../dh/types/CommonTypes.0.97.xsd"/>
<xsd:complexType name="Council_PartyType">
  <xsd:annotation>
    <xsd:documentation xml:lang="en">
      <ccts:Acronym>ABIE</ccts:Acronym>
      <ccts:Definition>A local government body responsible under legislation to perform food
sampling activities and other food safety related duties.</ccts:Definition>
    </xsd:documentation>
  </xsd:annotation>
  <xsd:sequence>
    <xsd:element name="Identification" type="qdt8:CouncilType_CodeType">
      <xsd:annotation>
        <xsd:documentation xml:lang="en">
          <ccts:Acronym>BBIE</ccts:Acronym>
          <ccts:Definition>The unique identifier assigned by and used within DHS to
identify local councils.</ccts:Definition>
          <ccts:Cardinality>1..1</ccts:Cardinality>
        </xsd:documentation>
      </xsd:annotation>
    </xsd:element>
  </xsd:sequence>
</xsd:complexType>
<xsd:complexType name="Current_PeriodType">
  <xsd:annotation>
    <xsd:documentation xml:lang="en">
      <ccts:Acronym>ABIE</ccts:Acronym>
      <ccts:Definition>The period of time in which the premises has maintained its current
registration status.</ccts:Definition>
    </xsd:documentation>
  </xsd:annotation>
  <xsd:sequence>
    <xsd:element name="Current_Start" type="udt6:TextType">
      <xsd:annotation>
        <xsd:documentation xml:lang="en">
          <ccts:Acronym>BBIE</ccts:Acronym>
          <ccts:Definition>The date the premises was granted its current registration
status.</ccts:Definition>
          <ccts:Cardinality>1..1</ccts:Cardinality>
        </xsd:documentation>
      </xsd:annotation>
    </xsd:element>
    <xsd:element name="Current_End" type="udt6:TextType" minOccurs="0">
      <xsd:annotation>
        <xsd:documentation xml:lang="en">
          <ccts:Acronym>BBIE</ccts:Acronym>
          <ccts:Definition>The date the current registration status
expires.</ccts:Definition>
          <ccts:Cardinality>0..1</ccts:Cardinality>
        </xsd:documentation>
      </xsd:annotation>
    </xsd:element>
  </xsd:sequence>
</xsd:complexType>
<xsd:complexType name="Current_Registration_StatusType">
  <xsd:annotation>
    <xsd:documentation xml:lang="en">
      <ccts:Acronym>ABIE</ccts:Acronym>
      <ccts:Definition>The registration status assigned to a premises by DHS</ccts:Definition>
    </xsd:documentation>
  </xsd:annotation>
  <xsd:sequence>
    <xsd:element name="Current_Description" type="udt6:TextType" minOccurs="0">
      <xsd:annotation>
        <xsd:documentation xml:lang="en">
          <ccts:Acronym>BBIE</ccts:Acronym>
          <ccts:Definition>Any additional notes accompanying the registration
status.</ccts:Definition>
          <ccts:Cardinality>0..1</ccts:Cardinality>
        </xsd:documentation>
      </xsd:annotation>
    </xsd:element>
    <xsd:element name="Current_Registration_Condition" type="qdt8:RegistrationType_CodeType">
      <xsd:annotation>
        <xsd:documentation xml:lang="en">
          <ccts:Acronym>BBIE</ccts:Acronym>
          <ccts:Cardinality>1..1</ccts:Cardinality>
        </xsd:documentation>
      </xsd:annotation>
    </xsd:element>
  </xsd:sequence>
</xsd:complexType>

```

```

        </xsd:documentation>
      </xsd:annotation>
    </xsd:element>
    <xsd:element name="RegistrationCurrent_Period" type="bie:Current_PeriodType">
      <xsd:annotation>
        <xsd:documentation xml:lang="en">
          <ccts:Acronym>ASBIE</ccts:Acronym>
          <ccts:Cardinality>1</ccts:Cardinality>
        </xsd:documentation>
      </xsd:annotation>
    </xsd:element>
  </xsd:sequence>
</xsd:complexType>
<xsd:complexType name="Historical_PeriodType">
  <xsd:annotation>
    <xsd:documentation xml:lang="en">
      <ccts:Acronym>ABIE</ccts:Acronym>
      <ccts:Definition>The historical period of time in which the premises has maintained a
registration status.</ccts:Definition>
    </xsd:documentation>
  </xsd:annotation>
  <xsd:sequence>
    <xsd:element name="Historical_Start" type="udt6:TextType">
      <xsd:annotation>
        <xsd:documentation xml:lang="en">
          <ccts:Acronym>BBIE</ccts:Acronym>
          <ccts:Definition>The date the premises was granted this historical
registration status.</ccts:Definition>
          <ccts:Cardinality>1..1</ccts:Cardinality>
        </xsd:documentation>
      </xsd:annotation>
    </xsd:element>
    <xsd:element name="Historical_End" type="udt6:TextType">
      <xsd:annotation>
        <xsd:documentation xml:lang="en">
          <ccts:Acronym>BBIE</ccts:Acronym>
          <ccts:Definition>The date this historical registration status was ended,
terminated, or lapsed.</ccts:Definition>
          <ccts:Cardinality>1..1</ccts:Cardinality>
        </xsd:documentation>
      </xsd:annotation>
    </xsd:element>
  </xsd:sequence>
</xsd:complexType>
<xsd:complexType name="Historical_Registration_StatusType">
  <xsd:annotation>
    <xsd:documentation xml:lang="en">
      <ccts:Acronym>ABIE</ccts:Acronym>
      <ccts:Definition>The historical registration status assigned to a premises by
DHS</ccts:Definition>
    </xsd:documentation>
  </xsd:annotation>
  <xsd:sequence>
    <xsd:element name="Historical_Description" type="udt6:TextType" minOccurs="0">
      <xsd:annotation>
        <xsd:documentation xml:lang="en">
          <ccts:Acronym>BBIE</ccts:Acronym>
          <ccts:Definition>Any additional notes accompanying the historical
registration status.</ccts:Definition>
          <ccts:Cardinality>0..1</ccts:Cardinality>
        </xsd:documentation>
      </xsd:annotation>
    </xsd:element>
    <xsd:element name="Historical_Registration_Condition" type="qdt8:RegistrationType_CodeType">
      <xsd:annotation>
        <xsd:documentation xml:lang="en">
          <ccts:Acronym>BBIE</ccts:Acronym>
          <ccts:Definition>A code that identifies the historical status of registration
for a given food premises</ccts:Definition>
          <ccts:Cardinality>1..1</ccts:Cardinality>
        </xsd:documentation>
      </xsd:annotation>
    </xsd:element>
  </xsd:sequence>
</xsd:complexType>
<xsd:element name="RegistrationHistorical_Period" type="bie:Historical_PeriodType">
  <xsd:annotation>
    <xsd:documentation xml:lang="en">
      <ccts:Acronym>ASBIE</ccts:Acronym>
      <ccts:Cardinality>1</ccts:Cardinality>
    </xsd:documentation>
  </xsd:annotation>

```



```

        </xsd:annotation>
      </xsd:element>
    </xsd:sequence>
  </xsd:complexType>
  <xsd:complexType name="Lab_PartyType">
    <xsd:annotation>
      <xsd:documentation xml:lang="en">
        <ccts:Acronym>ABIE</ccts:Acronym>
        <ccts:Definition>A scientific facility capable of performing test to a level in conformance with
government requirements.</ccts:Definition>
      </xsd:documentation>
    </xsd:annotation>
    <xsd:sequence>
      <xsd:element name="Identification" type="qdt8:LabType_CodeType">
        <xsd:annotation>
          <xsd:documentation xml:lang="en">
            <ccts:Acronym>BBIE</ccts:Acronym>
            <ccts:Definition>The unique identifier assigned by and used within DHS to
identify testing laboratories</ccts:Definition>
          </xsd:documentation>
        </xsd:annotation>
        <ccts:Cardinality>1..1</ccts:Cardinality>
      </xsd:documentation>
    </xsd:element>
  </xsd:sequence>
</xsd:complexType>
<xsd:complexType name="ReferencedCouncil_PartyType">
  <xsd:annotation>
    <xsd:documentation xml:lang="en">
      <ccts:Acronym>ABIE</ccts:Acronym>
      <ccts:Definition>A local government body responsible under legislation to perform food
sampling activities and other food safety related duties.</ccts:Definition>
    </xsd:documentation>
  </xsd:annotation>
  <xsd:sequence>
    <xsd:element name="Identification" type="qdt8:CouncilType_CodeType">
      <xsd:annotation>
        <xsd:documentation xml:lang="en">
          <ccts:Acronym>BBIE</ccts:Acronym>
          <ccts:Definition>The unique identifier assigned by and used within DHS to
identify local councils</ccts:Definition>
        </xsd:documentation>
      </xsd:annotation>
      <ccts:Cardinality>1..1</ccts:Cardinality>
    </xsd:documentation>
  </xsd:element>
</xsd:sequence>
</xsd:complexType>
<xsd:complexType name="AddressType">
  <xsd:annotation>
    <xsd:documentation xml:lang="en">
      <ccts:Acronym>ABIE</ccts:Acronym>
      <ccts:Definition>The operating location of the premises.</ccts:Definition>
    </xsd:documentation>
  </xsd:annotation>
  <xsd:sequence>
    <xsd:element name="RoadName" type="udt6:TextType">
      <xsd:annotation>
        <xsd:documentation xml:lang="en">
          <ccts:Acronym>BBIE</ccts:Acronym>
          <ccts:Definition>The name of the road/thoroughfare applicable to the
address site or complex.</ccts:Definition>
        </xsd:documentation>
      </xsd:annotation>
      <ccts:Cardinality>1..1</ccts:Cardinality>
      <ccts:BusinessTerm>Road Name</ccts:BusinessTerm>
      <ccts:RepresentationLayout>X(45)</ccts:RepresentationLayout>
    </xsd:documentation>
  </xsd:annotation>
  </xsd:element>
  <xsd:element name="RoadNumber1" type="udt6:TextType">
    <xsd:annotation>
      <xsd:documentation xml:lang="en">
        <ccts:Acronym>BBIE</ccts:Acronym>
        <ccts:Definition>Identifies the number of the address in the road or
thoroughfare, and for a range address, is the start number.</ccts:Definition>
      </xsd:documentation>
    </xsd:annotation>
    <ccts:Cardinality>1..1</ccts:Cardinality>
    <ccts:BusinessTerm>House Number 1</ccts:BusinessTerm>
    <ccts:RepresentationLayout>AN(6)</ccts:RepresentationLayout>
  </xsd:documentation>
  </xsd:annotation>
  </xsd:element>
  <xsd:element name="RoadNumber2" type="udt6:TextType" minOccurs="0">

```

```

    <xsd:documentation xml:lang="en">
      <ccts:Acronym>BBIE</ccts:Acronym>
      <ccts:Definition>Identifies the number of the address in the Street or
Thoroughfare and for a ranged address is the last number.</ccts:Definition>
      <ccts:Cardinality>0..1</ccts:Cardinality>
      <ccts:RepresentationLayout>AN(6)</ccts:RepresentationLayout>
    </xsd:documentation>
  </xsd:annotation>
</xsd:element>
<xsd:element name="RoadType" type="qdt9:StreetType_CodeType">
  <xsd:documentation xml:lang="en">
    <ccts:Acronym>BBIE</ccts:Acronym>
    <ccts:Definition>The abbreviation code used to distinguish the type of
road/thoroughfare applicable to the address site/complex.</ccts:Definition>
    <ccts:Cardinality>1..1</ccts:Cardinality>
    <ccts:BusinessTerm>Road Type Code</ccts:BusinessTerm>
  </xsd:documentation>
</xsd:annotation>
</xsd:element>
<xsd:element name="RoadSuffix" type="qdt9:StreetSuffix_CodeType" minOccurs="0">
  <xsd:documentation xml:lang="en">
    <ccts:Acronym>BBIE</ccts:Acronym>
    <ccts:Definition>The abbreviation code used to distinguish the suffix of the
road/thoroughfare applicable to the address site/complex.</ccts:Definition>
    <ccts:Cardinality>0..1</ccts:Cardinality>
    <ccts:BusinessTerm>Road Suffix Code</ccts:BusinessTerm>
    <ccts:RepresentationLayout>A(2)</ccts:RepresentationLayout>
  </xsd:documentation>
</xsd:annotation>
</xsd:element>
<xsd:element name="SubDwellingUnitNumber" type="udt6:TextType" minOccurs="0">
  <xsd:documentation xml:lang="en">
    <ccts:Acronym>BBIE</ccts:Acronym>
    <ccts:Definition>Within a complex, a number used to distinguish an
address found within a building/sub-complex or marina.</ccts:Definition>
    <ccts:Cardinality>0..1</ccts:Cardinality>
    <ccts:BusinessTerm>None</ccts:BusinessTerm>
    <ccts:RepresentationLayout>AN(7)</ccts:RepresentationLayout>
  </xsd:documentation>
</xsd:annotation>
</xsd:element>
<xsd:element name="SubDwellingUnitType" type="qdt9:UnitType_CodeType" minOccurs="0">
  <xsd:documentation xml:lang="en">
    <ccts:Acronym>BBIE</ccts:Acronym>
    <ccts:Definition>An abbreviation used to distinguish the type of an address
found within a building /complex or marina.</ccts:Definition>
    <ccts:Cardinality>0..1</ccts:Cardinality>
    <ccts:BusinessTerm>None</ccts:BusinessTerm>
    <ccts:RepresentationLayout>A(4)</ccts:RepresentationLayout>
  </xsd:documentation>
</xsd:annotation>
</xsd:element>
<xsd:element name="LevelNumber" type="udt6:TextType" minOccurs="0">
  <xsd:documentation xml:lang="en">
    <ccts:Acronym>BBIE</ccts:Acronym>
    <ccts:Definition>A number used to distinguish a floor or level of a multi-
storey building/complex</ccts:Definition>
    <ccts:Cardinality>0..1</ccts:Cardinality>
    <ccts:BusinessTerm>Floor Number</ccts:BusinessTerm>
    <ccts:RepresentationLayout>AN(5)</ccts:RepresentationLayout>
  </xsd:documentation>
</xsd:annotation>
</xsd:element>
<xsd:element name="LevelType" type="qdt9:LevelType_CodeType" minOccurs="0">
  <xsd:documentation xml:lang="en">
    <ccts:Acronym>BBIE</ccts:Acronym>
    <ccts:Definition>An abbreviation used to distinguish the floor or level of a
multistorey building/sub-complex.</ccts:Definition>
    <ccts:Cardinality>0..1</ccts:Cardinality>
    <ccts:BusinessTerm>Floor Type Code</ccts:BusinessTerm>
    <ccts:RepresentationLayout>A(2)</ccts:RepresentationLayout>
  </xsd:documentation>

```

```

        </xsd:annotation>
    </xsd:element>
    <xsd:element name="LocalityName" type="udt6:TextType">
        <xsd:annotation>
            <xsd:documentation xml:lang="en">
                <ccts:Acronym>BBIE</ccts:Acronym>
                <ccts:Definition>The name of the locality/suburb of the
address.</ccts:Definition>
            </xsd:documentation>
            <ccts:Cardinality>1..1</ccts:Cardinality>
            <ccts:BusinessTerm>Suburb Name</ccts:BusinessTerm>
            <ccts:RepresentationLayout>A(46)</ccts:RepresentationLayout>
        </xsd:documentation>
    </xsd:annotation>
</xsd:element>
<xsd:element name="Postcode" type="udt6:TextType">
    <xsd:annotation>
        <xsd:documentation xml:lang="en">
            <ccts:Acronym>BBIE</ccts:Acronym>
            <ccts:Definition>The four digit numeric identifier used for Postal
purposes.</ccts:Definition>
        </xsd:documentation>
        <ccts:Cardinality>1..1</ccts:Cardinality>
        <ccts:BusinessTerm>None</ccts:BusinessTerm>
        <ccts:RepresentationLayout>N(4)</ccts:RepresentationLayout>
    </xsd:documentation>
</xsd:annotation>
</xsd:element>
</xsd:sequence>
</xsd:complexType>
</xsd:schema>

```

Cross Agency Common Aggregate Schema Module

```

<?xml version="1.0"?>
<!-- edited with XMLSpy v2010 (http://www.altova.com) by Harry Moyer (Three Steps Pty Ltd) -->
<xsd:schema xmlns:udt5="urn:xml-gov-au:draft:types:coredatatypes:1.0" xmlns:bie9="urn:dhs:data:CommonAggregates:0.97"
xmlns:qdt7="urn:dhs:types:FoodHealthTypes:0.97" xmlns:bie="urn:dhs:data:FoodHealthAggregates:0.97"
xmlns:ccts="urn:un:unece:uncefact:documentation:standard:CoreComponentsTechnicalSpecification:2"
xmlns:xsd="http://www.w3.org/2001/XMLSchema" targetNamespace="urn:dhs:data:FoodHealthAggregates:0.97"
elementFormDefault="qualified" attributeFormDefault="unqualified" version="0.97">
    <xsd:import namespace="urn:xml-gov-au:draft:types:coredatatypes:1.0"
schemaLocation=" ../core/CoreDataTypes.1.0.xsd"/>
    <xsd:import namespace="urn:dhs:types:FoodHealthTypes:0.97" schemaLocation=" ../dh/types/FoodHealthTypes.0.97.xsd"/>
    <xsd:import namespace="urn:dhs:data:CommonAggregates:0.97"
schemaLocation=" ../dh/data/CommonAggregates.0.97.xsd"/>
    <xsd:complexType name="AuditAssessmentType">
        <xsd:annotation>
            <xsd:documentation xml:lang="en">
                <ccts:Acronym>ABIE</ccts:Acronym>
                <ccts:Definition>A check to see if a premises Food Safety Program is safe and
suitable.</ccts:Definition>
            </xsd:documentation>
        </xsd:annotation>
        <xsd:sequence>
            <xsd:element name="ID" type="udt5:IdentifierType">
                <xsd:annotation>
                    <xsd:documentation xml:lang="en">
                        <ccts:Acronym>BBIE</ccts:Acronym>
                        <ccts:Definition>The unique identifier assigned by and used within local
government to identify an audit or assessment conducted on a food premises under the jurisdiction of a given council</ccts:Definition>
                    </xsd:documentation>
                    <ccts:Cardinality>1..1</ccts:Cardinality>
                </xsd:documentation>
            </xsd:annotation>
        </xsd:element>
        <xsd:element name="ConductedDate" type="udt5:TextType">
            <xsd:annotation>
                <xsd:documentation xml:lang="en">
                    <ccts:Acronym>BBIE</ccts:Acronym>
                    <ccts:Definition>The date at which a third party audit has conducted on a
food premises by a given council</ccts:Definition>
                </xsd:documentation>
                <ccts:Cardinality>1..1</ccts:Cardinality>
            </xsd:documentation>
        </xsd:annotation>
        </xsd:element>
        <xsd:element name="PerformedBy" type="qdt7:AuditAssessmentPartyType_CodeType">
            <xsd:annotation>
                <xsd:documentation xml:lang="en">
                    <ccts:Acronym>BBIE</ccts:Acronym>

```

```

        <ccts:Definition>The party that performed the assessment of the
premises</ccts:Definition>
        <ccts:Cardinality>1..1</ccts:Cardinality>
        </xsd:documentation>
        </xsd:annotation>
    </xsd:element>
    <xsd:element name="AuditorID" type="udt5:IdentifierType" minOccurs="0">
        <xsd:annotation>
            <xsd:documentation xml:lang="en">
                <ccts:Acronym>BBIE</ccts:Acronym>
                <ccts:Definition>The unique identifier assigned by and used by DHS to
identify an authorised food auditor.</ccts:Definition>
            </xsd:documentation>
            <ccts:Cardinality>0..1</ccts:Cardinality>
        </xsd:documentation>
        </xsd:annotation>
    </xsd:element>
    <xsd:element name="Result" type="qdt7:AuditAssessmentOutcomeType_CodeType">
        <xsd:annotation>
            <xsd:documentation xml:lang="en">
                <ccts:Acronym>BBIE</ccts:Acronym>
                <ccts:Definition>The level of compliance awarded by the
auditing/assessing party</ccts:Definition>
            </xsd:documentation>
            <ccts:Cardinality>1..1</ccts:Cardinality>
        </xsd:documentation>
        </xsd:annotation>
    </xsd:element>
    <xsd:element name="Type" type="qdt7:AuditAssessmentType_CodeType">
        <xsd:annotation>
            <xsd:documentation xml:lang="en">
                <ccts:Acronym>BBIE</ccts:Acronym>
                <ccts:Definition>This fields indicates if an audit or assessment was
performed on the premise</ccts:Definition>
            </xsd:documentation>
            <ccts:Cardinality>1..1</ccts:Cardinality>
        </xsd:documentation>
        </xsd:annotation>
    </xsd:element>
</xsd:sequence>
</xsd:complexType>
<xsd:complexType name="CharacteristicType">
    <xsd:annotation>
        <xsd:documentation xml:lang="en">
            <ccts:Acronym>ABIE</ccts:Acronym>
            <ccts:Definition>The individual contents of a food sample.</ccts:Definition>
        </xsd:documentation>
    </xsd:annotation>
    <xsd:sequence>
        <xsd:element name="Type" type="qdt7:IngredientType_CodeType" minOccurs="0">
            <xsd:annotation>
                <xsd:documentation xml:lang="en">
                    <ccts:Acronym>BBIE</ccts:Acronym>
                    <ccts:Definition>A code that indicates the characteristics of a sample. This
element describes ingredients or types of food characteristics that are possible to be contained within a sample.</ccts:Definition>
                </xsd:documentation>
                <ccts:Cardinality>0..1</ccts:Cardinality>
            </xsd:documentation>
            </xsd:annotation>
        </xsd:element>
        <xsd:element name="NonCategorisedDescription" type="udt5:TextType" minOccurs="0">
            <xsd:annotation>
                <xsd:documentation xml:lang="en">
                    <ccts:Acronym>BBIE</ccts:Acronym>
                    <ccts:Definition>A free text field to enter sample characteristics that are
not included in the standard selection options on the form</ccts:Definition>
                </xsd:documentation>
                <ccts:Cardinality>0..1</ccts:Cardinality>
            </xsd:documentation>
            </xsd:annotation>
        </xsd:element>
    </xsd:sequence>
</xsd:complexType>
<xsd:complexType name="ComplaintType">
    <xsd:annotation>
        <xsd:documentation xml:lang="en">
            <ccts:Acronym>ABIE</ccts:Acronym>
            <ccts:Definition>Any reports of poor food quality or adverse reactions to food from the
public</ccts:Definition>
        </xsd:documentation>
    </xsd:annotation>
    <xsd:sequence>
        <xsd:element name="ID" type="udt5:IdentifierType">
            <xsd:annotation>

```

```

        <xsd:documentation xml:lang="en">
            <ccts:Acronym>BBIE</ccts:Acronym>
            <ccts:Definition>The unique identifier assigned by and used within local
government to identify a complaint</ccts:Definition>
            <ccts:Cardinality>1..1</ccts:Cardinality>
        </xsd:documentation>
    </xsd:annotation>
</xsd:element>
<xsd:element name="ComplaintReceivedDate" type="udt5:TextType">
    <xsd:annotation>
        <xsd:documentation xml:lang="en">
            <ccts:Acronym>BBIE</ccts:Acronym>
            <ccts:Definition>The date at which a complaint on a food premises under
the jurisdiction of a given council is received</ccts:Definition>
            <ccts:Cardinality>1..1</ccts:Cardinality>
        </xsd:documentation>
    </xsd:annotation>
</xsd:element>
<xsd:element name="Category" type="qdt7:ComplaintType_CodeType">
    <xsd:annotation>
        <xsd:documentation xml:lang="en">
            <ccts:Acronym>BBIE</ccts:Acronym>
            <ccts:Definition>A code that defines the category of complaints on a food
premises under the jurisdiction of a given council</ccts:Definition>
            <ccts:Cardinality>1..1</ccts:Cardinality>
        </xsd:documentation>
    </xsd:annotation>
</xsd:element>
</xsd:sequence>
</xsd:complexType>
<xsd:complexType name="EnforcementType">
    <xsd:annotation>
        <xsd:documentation xml:lang="en">
            <ccts:Acronym>ABIE</ccts:Acronym>
            <ccts:Definition>A mandatory action imposed by a local council on a premise for infractions of
the Food Act legislation </ccts:Definition>
        </xsd:documentation>
    </xsd:annotation>
    <xsd:sequence>
        <xsd:element name="ID" type="udt5:IdentifierType">
            <xsd:annotation>
                <xsd:documentation xml:lang="en">
                    <ccts:Acronym>BBIE</ccts:Acronym>
                    <ccts:Definition>The unique identifier assigned by and used within local
government to identify an enforcement undertaken on a food premises under the jurisdiction of a given council</ccts:Definition>
                    <ccts:Cardinality>1..1</ccts:Cardinality>
                </xsd:documentation>
            </xsd:annotation>
        </xsd:element>
        <xsd:element name="AuditAssessmentID" type="udt5:IdentifierType" minOccurs="0">
            <xsd:annotation>
                <xsd:documentation xml:lang="en">
                    <ccts:Acronym>BBIE</ccts:Acronym>
                    <ccts:Definition>A reference to the unique identifier of a non-compliant
Audit / Assessment that led to this Enforcement</ccts:Definition>
                    <ccts:Cardinality>0..1</ccts:Cardinality>
                </xsd:documentation>
            </xsd:annotation>
        </xsd:element>
        <xsd:element name="InspectionID" type="udt5:IdentifierType" minOccurs="0">
            <xsd:annotation>
                <xsd:documentation xml:lang="en">
                    <ccts:Acronym>BBIE</ccts:Acronym>
                    <ccts:Definition>A reference to the unique identifier of an Inspection that
led to this Enforcement</ccts:Definition>
                    <ccts:Cardinality>0..1</ccts:Cardinality>
                </xsd:documentation>
            </xsd:annotation>
        </xsd:element>
        <xsd:element name="ActionDate" type="udt5:TextType">
            <xsd:annotation>
                <xsd:documentation xml:lang="en">
                    <ccts:Acronym>BBIE</ccts:Acronym>
                    <ccts:Definition>The date on which an enforcement action was imposed
on the premise</ccts:Definition>
                    <ccts:Cardinality>1..1</ccts:Cardinality>
                </xsd:documentation>
            </xsd:annotation>
        </xsd:element>
    </xsd:sequence>
</xsd:complexType>

```

```

<xsd:element name="Action" type="qdt7:EnforcementActionType_CodeType">
  <xsd:annotation>
    <xsd:documentation xml:lang="en">
      <ccts:Acronym>BBIE</ccts:Acronym>
      <ccts:Definition>A code that defines the type of enforcement action
undertaken by a council on a food premises</ccts:Definition>
      <ccts:Cardinality>1..1</ccts:Cardinality>
    </xsd:documentation>
  </xsd:annotation>
</xsd:element>
<xsd:element name="Type" type="qdt7:EnforcementType_CodeType">
  <xsd:annotation>
    <xsd:documentation xml:lang="en">
      <ccts:Acronym>BBIE</ccts:Acronym>
      <ccts:Definition>A code indicating the category and severity of an
enforcement</ccts:Definition>
      <ccts:Cardinality>1..1</ccts:Cardinality>
    </xsd:documentation>
  </xsd:annotation>
</xsd:element>
</xsd:sequence>
</xsd:complexType>
<xsd:complexType name="Food_PremisesType">
  <xsd:annotation>
    <xsd:documentation xml:lang="en">
      <ccts:Acronym>ABIE</ccts:Acronym>
      <ccts:Definition>A business/establishment/stand where food is offered for sale and/or
consumption.</ccts:Definition>
    </xsd:documentation>
  </xsd:annotation>
  <xsd:sequence>
    <xsd:element name="CouncilRegistrationNumber" type="udt5:IdentifierType">
      <xsd:annotation>
        <xsd:documentation xml:lang="en">
          <ccts:Acronym>BBIE</ccts:Acronym>
          <ccts:Definition>The unique identifier assigned by and used within a
specified council to identify a food business</ccts:Definition>
          <ccts:Cardinality>1..1</ccts:Cardinality>
        </xsd:documentation>
      </xsd:annotation>
    </xsd:element>
    <xsd:element name="FoodSafetyProgram" type="qdt7:FoodSafetyProgramType_CodeType">
      <xsd:annotation>
        <xsd:documentation xml:lang="en">
          <ccts:Acronym>BBIE</ccts:Acronym>
          <ccts:Definition>A code that indicates the type of food safety program a
given food premises is compliant to</ccts:Definition>
          <ccts:Cardinality>1..1</ccts:Cardinality>
        </xsd:documentation>
      </xsd:annotation>
    </xsd:element>
    <xsd:element name="RegistrationDate" type="udt5:TextType">
      <xsd:annotation>
        <xsd:documentation xml:lang="en">
          <ccts:Acronym>BBIE</ccts:Acronym>
          <ccts:Definition>A date at which a given food premises is
registered</ccts:Definition>
          <ccts:Cardinality>1..1</ccts:Cardinality>
        </xsd:documentation>
      </xsd:annotation>
    </xsd:element>
    <xsd:element name="FoodBusinessClassification" type="qdt7:ClassificationType_CodeType">
      <xsd:annotation>
        <xsd:documentation xml:lang="en">
          <ccts:Acronym>BBIE</ccts:Acronym>
          <ccts:Definition>Risk classification is a code to classify food businesses
based on the type of food, activity of the business, method of processing and customer base</ccts:Definition>
          <ccts:Cardinality>1..1</ccts:Cardinality>
        </xsd:documentation>
      </xsd:annotation>
    </xsd:element>
    <xsd:element name="Type" type="qdt7:PremisesType_CodeType">
      <xsd:annotation>
        <xsd:documentation xml:lang="en">
          <ccts:Acronym>BBIE</ccts:Acronym>
          <ccts:Definition>A code to define the type of food business establishments
across Victoria</ccts:Definition>
          <ccts:Cardinality>1..1</ccts:Cardinality>
        </xsd:documentation>
      </xsd:annotation>
    </xsd:element>
  </xsd:sequence>
</xsd:complexType>

```

```

        </xsd:annotation>
    </xsd:element>
    <xsd:element name="WaterSupply" type="qdt7:WaterSupplyType_CodeType" minOccurs="0">
        <xsd:annotation>
            <xsd:documentation xml:lang="en">
                <ccts:Acronym>BBIE</ccts:Acronym>
                <ccts:Definition>A code that defines the type of water supply a food
premises uses.</ccts:Definition>
                <ccts:Cardinality>0..1</ccts:Cardinality>
            </xsd:documentation>
        </xsd:annotation>
    </xsd:element>
    <xsd:element name="Current_Registration_Status" type="bie9:Current_Registration_StatusType">
        <xsd:annotation>
            <xsd:documentation xml:lang="en">
                <ccts:Acronym>ASBIE</ccts:Acronym>
                <ccts:Cardinality>1</ccts:Cardinality>
            </xsd:documentation>
        </xsd:annotation>
    </xsd:element>
    <xsd:element name="Historical_Registration_Status" type="bie9:Historical_Registration_StatusType"
minOccurs="0" maxOccurs="unbounded">
        <xsd:annotation>
            <xsd:documentation xml:lang="en">
                <ccts:Acronym>ASBIE</ccts:Acronym>
                <ccts:Cardinality>0..*</ccts:Cardinality>
            </xsd:documentation>
        </xsd:annotation>
    </xsd:element>
    <xsd:element name="AuditAssessment" type="bie:AuditAssessmentType" minOccurs="0"
maxOccurs="unbounded">
        <xsd:annotation>
            <xsd:documentation xml:lang="en">
                <ccts:Acronym>ASBIE</ccts:Acronym>
                <ccts:Cardinality>0..*</ccts:Cardinality>
            </xsd:documentation>
        </xsd:annotation>
    </xsd:element>
    <xsd:element name="Inspection" type="bie:InspectionType" minOccurs="0" maxOccurs="unbounded">
        <xsd:annotation>
            <xsd:documentation xml:lang="en">
                <ccts:Acronym>ASBIE</ccts:Acronym>
                <ccts:Cardinality>0..*</ccts:Cardinality>
            </xsd:documentation>
        </xsd:annotation>
    </xsd:element>
    <xsd:element name="Enforcement" type="bie:EnforcementType" minOccurs="0"
maxOccurs="unbounded">
        <xsd:annotation>
            <xsd:documentation xml:lang="en">
                <ccts:Acronym>ASBIE</ccts:Acronym>
                <ccts:Cardinality>0..*</ccts:Cardinality>
            </xsd:documentation>
        </xsd:annotation>
    </xsd:element>
    <xsd:element name="Prosecution" type="bie:ProsecutionType" minOccurs="0"
maxOccurs="unbounded">
        <xsd:annotation>
            <xsd:documentation xml:lang="en">
                <ccts:Acronym>ASBIE</ccts:Acronym>
                <ccts:Cardinality>0..*</ccts:Cardinality>
            </xsd:documentation>
        </xsd:annotation>
    </xsd:element>
    <xsd:element name="Verdict" type="bie:VerdictType" minOccurs="0" maxOccurs="unbounded">
        <xsd:annotation>
            <xsd:documentation xml:lang="en">
                <ccts:Acronym>ASBIE</ccts:Acronym>
                <ccts:Cardinality>0..*</ccts:Cardinality>
            </xsd:documentation>
        </xsd:annotation>
    </xsd:element>
    <xsd:element name="Complaint" type="bie:ComplaintType" minOccurs="0" maxOccurs="unbounded">
        <xsd:annotation>
            <xsd:documentation xml:lang="en">
                <ccts:Acronym>ASBIE</ccts:Acronym>
                <ccts:Cardinality>0..*</ccts:Cardinality>
            </xsd:documentation>
        </xsd:annotation>
    </xsd:element>

```

```

</xsd:element>
<xsd:element name="FoodRecall" type="bie:FoodRecallType" minOccurs="0" maxOccurs="unbounded">
  <xsd:annotation>
    <xsd:documentation xml:lang="en">
      <ccts:Acronym>ASBIE</ccts:Acronym>
      <ccts:Cardinality>0..*</ccts:Cardinality>
    </xsd:documentation>
  </xsd:annotation>
</xsd:element>
</xsd:sequence>
</xsd:complexType>
<xsd:complexType name="FoodOfficerType">
  <xsd:annotation>
    <xsd:documentation xml:lang="en">
      <ccts:Acronym>ABIE</ccts:Acronym>
      <ccts:Definition>An employee of a council agency in Victoria responsible for food safety
activities</ccts:Definition>
    </xsd:documentation>
  </xsd:annotation>
  <xsd:sequence>
    <xsd:element name="ID" type="udt5:IdentifierType" minOccurs="0">
      <xsd:annotation>
        <xsd:documentation xml:lang="en">
          <ccts:Acronym>BBIE</ccts:Acronym>
          <ccts:Definition>The unique identifier assigned by and used within a
council to identify a food officer who works in a council agency in Victoria</ccts:Definition>
          <ccts:Cardinality>0..1</ccts:Cardinality>
        </xsd:documentation>
      </xsd:annotation>
    </xsd:element>
    <xsd:element name="AuthorisedFoodOfficer" type="udt5:IndicatorType" minOccurs="0">
      <xsd:annotation>
        <xsd:documentation xml:lang="en">
          <ccts:Acronym>BBIE</ccts:Acronym>
          <ccts:Definition>A code that indicates if the Food Officer is authorised
under the Food Act 1984.</ccts:Definition>
          <ccts:Cardinality>0..1</ccts:Cardinality>
        </xsd:documentation>
      </xsd:annotation>
    </xsd:element>
  </xsd:sequence>
</xsd:complexType>
<xsd:complexType name="FoodRecallType">
  <xsd:annotation>
    <xsd:documentation xml:lang="en">
      <ccts:Acronym>ABIE</ccts:Acronym>
      <ccts:Definition>A notification sent by a local council to a premises informing them of a food
recall initiative</ccts:Definition>
    </xsd:documentation>
  </xsd:annotation>
  <xsd:sequence>
    <xsd:element name="ID" type="udt5:IdentifierType">
      <xsd:annotation>
        <xsd:documentation xml:lang="en">
          <ccts:Acronym>BBIE</ccts:Acronym>
          <ccts:Definition>The unique identifier assigned by and used within local
government to identify a food recall issued to a premises</ccts:Definition>
          <ccts:Cardinality>1..1</ccts:Cardinality>
        </xsd:documentation>
      </xsd:annotation>
    </xsd:element>
    <xsd:element name="RecallDate" type="udt5:TextType">
      <xsd:annotation>
        <xsd:documentation xml:lang="en">
          <ccts:Acronym>BBIE</ccts:Acronym>
          <ccts:Definition>The date which the food recall notice was issued by the
Department of Health to Council</ccts:Definition>
          <ccts:Cardinality>1..1</ccts:Cardinality>
        </xsd:documentation>
      </xsd:annotation>
    </xsd:element>
    <xsd:element name="Type" type="qdt7:FoodRecallInvestigationType_CodeType">
      <xsd:annotation>
        <xsd:documentation xml:lang="en">
          <ccts:Acronym>BBIE</ccts:Acronym>
          <ccts:Definition>The method in which a premises was contacted about the
food recall initiative</ccts:Definition>
          <ccts:Cardinality>1..1</ccts:Cardinality>
        </xsd:documentation>
      </xsd:annotation>
    </xsd:element>
  </xsd:sequence>
</xsd:complexType>

```



```

        </xsd:annotation>
      </xsd:element>
    </xsd:sequence>
  </xsd:complexType>
  <xsd:complexType name="InspectionType">
    <xsd:annotation>
      <xsd:documentation xml:lang="en">
        <ccts:Acronym>ABIE</ccts:Acronym>
        <ccts:Definition>Inspection of a food premises to determine compliance with the Food Act
& amp; Standards.</ccts:Definition>
      </xsd:documentation>
    </xsd:annotation>
    <xsd:sequence>
      <xsd:element name="ID" type="udt5:IdentifierType">
        <xsd:annotation>
          <xsd:documentation xml:lang="en">
            <ccts:Acronym>BBIE</ccts:Acronym>
            <ccts:Definition>The unique identifier assigned by and used within local
government to identify an inspection conducted on a food premises.</ccts:Definition>
            <ccts:Cardinality>1..1</ccts:Cardinality>
          </xsd:documentation>
        </xsd:annotation>
      </xsd:element>
      <xsd:element name="AuditAssessmentID" type="udt5:IdentifierType" minOccurs="0">
        <xsd:annotation>
          <xsd:documentation xml:lang="en">
            <ccts:Acronym>BBIE</ccts:Acronym>
            <ccts:Definition>A reference to the unique identifier of a non-compliant
Audit / Assessment that led to this Inspection.</ccts:Definition>
            <ccts:Cardinality>0..1</ccts:Cardinality>
          </xsd:documentation>
        </xsd:annotation>
      </xsd:element>
      <xsd:element name="EnforcementID" type="udt5:IdentifierType" minOccurs="0">
        <xsd:annotation>
          <xsd:documentation xml:lang="en">
            <ccts:Acronym>BBIE</ccts:Acronym>
            <ccts:Definition>A reference to the unique identifier of an Enforcement that
led to this Inspection.</ccts:Definition>
            <ccts:Cardinality>0..1</ccts:Cardinality>
          </xsd:documentation>
        </xsd:annotation>
      </xsd:element>
      <xsd:element name="InspectionDate" type="udt5:TextType">
        <xsd:annotation>
          <xsd:documentation xml:lang="en">
            <ccts:Acronym>BBIE</ccts:Acronym>
            <ccts:Definition>The date at which an inspection is conducted on a food
premises.</ccts:Definition>
            <ccts:Cardinality>1..1</ccts:Cardinality>
          </xsd:documentation>
        </xsd:annotation>
      </xsd:element>
      <xsd:element name="Result" type="qdt7:InspectionOutcome_TypeType">
        <xsd:annotation>
          <xsd:documentation xml:lang="en">
            <ccts:Acronym>BBIE</ccts:Acronym>
            <ccts:Definition>The result of the testing carried out on the food premises
to determine compliance with the Food Act and the Codes.</ccts:Definition>
            <ccts:Cardinality>1..1</ccts:Cardinality>
          </xsd:documentation>
        </xsd:annotation>
      </xsd:element>
      <xsd:element name="Type" type="qdt7:InspectionType_CodeType">
        <xsd:annotation>
          <xsd:documentation xml:lang="en">
            <ccts:Acronym>BBIE</ccts:Acronym>
            <ccts:Definition>A code that defines the types of inspections conducted on
a food business establishment across Victoria.</ccts:Definition>
            <ccts:Cardinality>1..1</ccts:Cardinality>
          </xsd:documentation>
        </xsd:annotation>
      </xsd:element>
    </xsd:sequence>
  </xsd:complexType>
  <xsd:complexType name="PreparationSourceType">
    <xsd:annotation>
      <xsd:documentation xml:lang="en">
        <ccts:Acronym>ABIE</ccts:Acronym>

```

```

                <ccts:Definition>The way in which the food sample was prepared (e.g. ingredients cooked or
uncooked). Or alternatively the source of the ingredients (e.g. private water supply or public water supply).</ccts:Definition>
            </xsd:documentation>
        </xsd:annotation>
    </xsd:sequence>
    <xsd:sequence>
        <xsd:element name="Type" type="qdt7:PreparationType_CodeType" minOccurs="0">
            <xsd:annotation>
                <xsd:documentation xml:lang="en">
                    <ccts:Acronym>BBIE</ccts:Acronym>
                    <ccts:Definition>A code that indicates the source (e.g. Private Water
Supply) of an ingredient or it's preparation method (e.g Uncooked).</ccts:Definition>
                    <ccts:Cardinality>0..1</ccts:Cardinality>
                </xsd:documentation>
            </xsd:annotation>
        </xsd:element>
    </xsd:sequence>
</xsd:complexType>
<xsd:complexType name="ProsecutionType">
    <xsd:annotation>
        <xsd:documentation xml:lang="en">
            <ccts:Acronym>ABIE</ccts:Acronym>
            <ccts:Definition>A court appearance / trial for infractions of The Food Act
1984.</ccts:Definition>
        </xsd:documentation>
    </xsd:annotation>
    <xsd:sequence>
        <xsd:element name="ID" type="udt5:IdentifierType">
            <xsd:annotation>
                <xsd:documentation xml:lang="en">
                    <ccts:Acronym>BBIE</ccts:Acronym>
                    <ccts:Definition>The unique identifier assigned by and used within local
government to identify an alleged offence brought before a court of law</ccts:Definition>
                    <ccts:Cardinality>1..1</ccts:Cardinality>
                </xsd:documentation>
            </xsd:annotation>
        </xsd:element>
        <xsd:element name="EnforcementID" type="udt5:IdentifierType" minOccurs="0">
            <xsd:annotation>
                <xsd:documentation xml:lang="en">
                    <ccts:Acronym>BBIE</ccts:Acronym>
                    <ccts:Definition>A reference to the unique identifier of an Enforcement that
led to this Prosecution</ccts:Definition>
                    <ccts:Cardinality>0..1</ccts:Cardinality>
                </xsd:documentation>
            </xsd:annotation>
        </xsd:element>
        <xsd:element name="InspectionID" type="udt5:IdentifierType" minOccurs="0">
            <xsd:annotation>
                <xsd:documentation xml:lang="en">
                    <ccts:Acronym>BBIE</ccts:Acronym>
                    <ccts:Definition>A reference to the unique identifier of an Inspection that
led to this Prosecution</ccts:Definition>
                    <ccts:Cardinality>0..1</ccts:Cardinality>
                </xsd:documentation>
            </xsd:annotation>
        </xsd:element>
        <xsd:element name="InitialCourtAppearanceDate" type="udt5:TextType">
            <xsd:annotation>
                <xsd:documentation xml:lang="en">
                    <ccts:Acronym>BBIE</ccts:Acronym>
                    <ccts:Definition>The date on which the proceeding is
commenced</ccts:Definition>
                    <ccts:Cardinality>1..1</ccts:Cardinality>
                </xsd:documentation>
            </xsd:annotation>
        </xsd:element>
        <xsd:element name="Type" type="qdt7:ProsecutionType_CodeType">
            <xsd:annotation>
                <xsd:documentation xml:lang="en">
                    <ccts:Acronym>BBIE</ccts:Acronym>
                    <ccts:Definition>A code to identify alleged offence to be prosecuted by
Council against a food proprietor</ccts:Definition>
                    <ccts:Cardinality>1..1</ccts:Cardinality>
                </xsd:documentation>
            </xsd:annotation>
        </xsd:element>
    </xsd:sequence>
</xsd:complexType>
<xsd:complexType name="ReferencedFood_PremisesType">

```

```

    <xsd:annotation>
      <xsd:documentation xml:lang="en">
        <ccts:Acronym>ABIE</ccts:Acronym>
        <ccts:Definition>A business/establishment/stand where food is offered for sale and/or
consumption.</ccts:Definition>
      </xsd:documentation>
    </xsd:annotation>
  </xsd:sequence>
  <xsd:sequence>
    <xsd:element name="CouncilRegistrationNumber" type="udt5:IdentifierType">
      <xsd:annotation>
        <xsd:documentation xml:lang="en">
          <ccts:Acronym>BBIE</ccts:Acronym>
          <ccts:Definition>The unique identifier assigned by a local council to its
premises</ccts:Definition>
          <ccts:Cardinality>1..1</ccts:Cardinality>
        </xsd:documentation>
      </xsd:annotation>
    </xsd:element>
  </xsd:sequence>
</xsd:complexType>
<xsd:complexType name="ResultType">
  <xsd:annotation>
    <xsd:documentation xml:lang="en">
      <ccts:Acronym>ABIE</ccts:Acronym>
      <ccts:Definition>The outcome of an individual low level test (e.g. E.Coli or Mercury) performed
on a sample.</ccts:Definition>
    </xsd:documentation>
  </xsd:annotation>
  <xsd:sequence>
    <xsd:element name="Detection" type="qdt7:ResultDetectionType_CodeType" minOccurs="0">
      <xsd:annotation>
        <xsd:documentation xml:lang="en">
          <ccts:Acronym>BBIE</ccts:Acronym>
          <ccts:Definition>A code that represents the test result if the outcome is
non-numeric. E.g. the outcome is "absent", "present", "trace", "satisfactory", "pass", etc...</ccts:Definition>
          <ccts:Cardinality>0..1</ccts:Cardinality>
        </xsd:documentation>
      </xsd:annotation>
    </xsd:element>
    <xsd:element name="Measurement" type="udt5:NumericType" minOccurs="0">
      <xsd:annotation>
        <xsd:documentation xml:lang="en">
          <ccts:Acronym>BBIE</ccts:Acronym>
          <ccts:Definition>The numeric amount of an element detected by a
test</ccts:Definition>
          <ccts:Cardinality>0..1</ccts:Cardinality>
        </xsd:documentation>
      </xsd:annotation>
    </xsd:element>
    <xsd:element name="Name" type="qdt7:ResultNameType_CodeType">
      <xsd:annotation>
        <xsd:documentation xml:lang="en">
          <ccts:Acronym>BBIE</ccts:Acronym>
          <ccts:Definition>The name of the element/pathogen/substance/allergen
(e.g. E.Coli or Mercury) that the specific low level test was carried out to detect.</ccts:Definition>
          <ccts:Cardinality>1..1</ccts:Cardinality>
        </xsd:documentation>
      </xsd:annotation>
    </xsd:element>
    <xsd:element name="NonCategorisedDescription" type="udt5:TextType" minOccurs="0">
      <xsd:annotation>
        <xsd:documentation xml:lang="en">
          <ccts:Acronym>BBIE</ccts:Acronym>
          <ccts:Definition>A free entry text field used to document any details of the
result that cannot be classified using the provided codelists for any of the Result data elements.</ccts:Definition>
          <ccts:Cardinality>0..1</ccts:Cardinality>
        </xsd:documentation>
      </xsd:annotation>
    </xsd:element>
    <xsd:element name="Operator" type="qdt7:ResultOperatorType_CodeType" minOccurs="0">
      <xsd:annotation>
        <xsd:documentation xml:lang="en">
          <ccts:Acronym>BBIE</ccts:Acronym>
          <ccts:Definition>A code that indicated whether the detected quantity was
exact or was above/below the testing threshold</ccts:Definition>
          <ccts:Cardinality>0..1</ccts:Cardinality>
        </xsd:documentation>
      </xsd:annotation>
    </xsd:element>
  </xsd:sequence>
</xsd:complexType>

```

```

<xsd:element name="TestMethod" type="qdt7:TestMethodType_CodeType" minOccurs="0">
  <xsd:annotation>
    <xsd:documentation xml:lang="en">
      <ccts:Acronym>BBIE</ccts:Acronym>
      <ccts:Definition>The name of the test method used to determine the
results/quantities of each low level test (e.g. E.Coli or Mercury)</ccts:Definition>
      <ccts:Cardinality>0..1</ccts:Cardinality>
    </xsd:documentation>
  </xsd:annotation>
</xsd:element>
<xsd:element name="Unit" type="qdt7:UnitOfMeasurementType_CodeType" minOccurs="0">
  <xsd:annotation>
    <xsd:documentation xml:lang="en">
      <ccts:Acronym>BBIE</ccts:Acronym>
      <ccts:Definition>A code that indicates the Unit of Measurement that each
result is provided in.</ccts:Definition>
      <ccts:Cardinality>0..1</ccts:Cardinality>
    </xsd:documentation>
  </xsd:annotation>
</xsd:element>
</xsd:sequence>
</xsd:complexType>
<xsd:complexType name="SampleType">
  <xsd:annotation>
    <xsd:documentation xml:lang="en">
      <ccts:Acronym>ABIE</ccts:Acronym>
      <ccts:Definition>A portion of food collected for testing purposes.</ccts:Definition>
    </xsd:documentation>
  </xsd:annotation>
  <xsd:sequence>
    <xsd:element name="Category" type="qdt7:SampleType_CodeType">
      <xsd:annotation>
        <xsd:documentation xml:lang="en">
          <ccts:Acronym>BBIE</ccts:Acronym>
          <ccts:Definition>A code that defines the type of sample taken by council
officer to a designated laboratory for testing</ccts:Definition>
          <ccts:Cardinality>1..1</ccts:Cardinality>
        </xsd:documentation>
      </xsd:annotation>
    </xsd:element>
    <xsd:element name="Sub-Category" type="qdt7:SampleSubType_CodeType" minOccurs="0">
      <xsd:annotation>
        <xsd:documentation xml:lang="en">
          <ccts:Acronym>BBIE</ccts:Acronym>
          <ccts:Definition>A code that indicates the sub group of food that the
sample belongs to</ccts:Definition>
          <ccts:Cardinality>0..1</ccts:Cardinality>
        </xsd:documentation>
      </xsd:annotation>
    </xsd:element>
    <xsd:element name="Manufacturer" type="udt5:TextType" minOccurs="0">
      <xsd:annotation>
        <xsd:documentation xml:lang="en">
          <ccts:Acronym>BBIE</ccts:Acronym>
          <ccts:Definition>The name of the manufacturer of the food
sample</ccts:Definition>
          <ccts:Cardinality>0..1</ccts:Cardinality>
        </xsd:documentation>
      </xsd:annotation>
    </xsd:element>
    <xsd:element name="PackagingState" type="qdt7:PackagingType_CodeType" minOccurs="0">
      <xsd:annotation>
        <xsd:documentation xml:lang="en">
          <ccts:Acronym>BBIE</ccts:Acronym>
          <ccts:Definition>A code that defines how the sample was packaged
</ccts:Definition>
          <ccts:Cardinality>0..1</ccts:Cardinality>
        </xsd:documentation>
      </xsd:annotation>
    </xsd:element>
    <xsd:element name="Storage" type="qdt7:StorageType_CodeType" minOccurs="0">
      <xsd:annotation>
        <xsd:documentation xml:lang="en">
          <ccts:Acronym>BBIE</ccts:Acronym>
          <ccts:Definition>A code that indicates the temperature the sample was
stored at when the sample was collected</ccts:Definition>
          <ccts:Cardinality>0..1</ccts:Cardinality>
        </xsd:documentation>
      </xsd:annotation>
    </xsd:element>
  </xsd:sequence>
</xsd:complexType>

```

```

</xsd:element>
<xsd:element name="OtherInformation" type="udt5:TextType" minOccurs="0">
  <xsd:annotation>
    <xsd:documentation xml:lang="en">
      <ccts:Acronym>BBIE</ccts:Acronym>
      <ccts:Definition>A free text field for additional information that can't be
classified under the included form selection options to be entered</ccts:Definition>
      <ccts:Cardinality>0..1</ccts:Cardinality>
    </xsd:documentation>
  </xsd:annotation>
</xsd:element>
maxOccurs="unbounded">
<xsd:element name="Characteristic" type="bie:CharacteristicType" minOccurs="0"
  <xsd:annotation>
    <xsd:documentation xml:lang="en">
      <ccts:Acronym>ASBIE</ccts:Acronym>
      <ccts:Definition>A group of data elements that describes the ingredients a
food sample contains</ccts:Definition>
      <ccts:Cardinality>0..*</ccts:Cardinality>
    </xsd:documentation>
  </xsd:annotation>
</xsd:element>
maxOccurs="unbounded">
<xsd:element name="PreparationSource" type="bie:PreparationSourceType" minOccurs="0"
  <xsd:annotation>
    <xsd:documentation xml:lang="en">
      <ccts:Acronym>ASBIE</ccts:Acronym>
      <ccts:Definition>A group of data elements that describes the preparation
method or source of the sample</ccts:Definition>
      <ccts:Cardinality>0..*</ccts:Cardinality>
    </xsd:documentation>
  </xsd:annotation>
</xsd:element>
<xsd:element name="PrescribedTest" type="bie:TestType" minOccurs="0" maxOccurs="unbounded">
  <xsd:annotation>
    <xsd:documentation xml:lang="en">
      <ccts:Acronym>ASBIE</ccts:Acronym>
      <ccts:Definition>A group of data elements that describes why the sample
was required</ccts:Definition>
      <ccts:Cardinality>0..*</ccts:Cardinality>
    </xsd:documentation>
  </xsd:annotation>
</xsd:element>
</xsd:sequence>
</xsd:complexType>
<xsd:complexType name="SampleOrderType">
  <xsd:annotation>
    <xsd:documentation xml:lang="en">
      <ccts:Acronym>ABIE</ccts:Acronym>
      <ccts:Definition>An order/request/requirement for a sample to be collected.</ccts:Definition>
    </xsd:documentation>
  </xsd:annotation>
  <xsd:sequence>
    <xsd:element name="Identification" type="udt5:IdentifierType">
      <xsd:annotation>
        <xsd:documentation xml:lang="en">
          <ccts:Acronym>BBIE</ccts:Acronym>
          <ccts:Definition>A unique identifier assigned by the responsible lab and
used within DHS to identify an individual food sample</ccts:Definition>
          <ccts:Cardinality>1..1</ccts:Cardinality>
        </xsd:documentation>
      </xsd:annotation>
    </xsd:element>
    <xsd:element name="CouncilSampleIdentifier" type="udt5:IdentifierType">
      <xsd:annotation>
        <xsd:documentation xml:lang="en">
          <ccts:Acronym>BBIE</ccts:Acronym>
          <ccts:Definition>A unique identifier assigned by the council to identify an
individual food sample</ccts:Definition>
          <ccts:Cardinality>1..1</ccts:Cardinality>
        </xsd:documentation>
      </xsd:annotation>
    </xsd:element>
    <xsd:element name="Purpose" type="qdt7:ReasonType_CodeType">
      <xsd:annotation>
        <xsd:documentation xml:lang="en">
          <ccts:Acronym>BBIE</ccts:Acronym>
          <ccts:Definition>A code that defines the reason why the testing is being
carried out on the sample</ccts:Definition>

```

```

        <ccts:Cardinality>1..1</ccts:Cardinality>
      </xsd:documentation>
    </xsd:annotation>
  </xsd:element>
  <xsd:element name="PurposeDescription" type="udt5:TextType" minOccurs="0">
    <xsd:annotation>
      <xsd:documentation xml:lang="en">
        <ccts:Acronym>BBIE</ccts:Acronym>
        <ccts:Definition>A free text field used to describe additional information
about the test's purpose</ccts:Definition>
      </xsd:documentation>
      <ccts:Cardinality>0..1</ccts:Cardinality>
    </xsd:documentation>
  </xsd:annotation>
</xsd:element>
<xsd:element name="CollectionDateTime" type="udt5:TextType">
  <xsd:annotation>
    <xsd:documentation xml:lang="en">
      <ccts:Acronym>BBIE</ccts:Acronym>
      <ccts:Definition>The date and time at which the sample was gathered at
the food premises</ccts:Definition>
    </xsd:documentation>
    <ccts:Cardinality>1..1</ccts:Cardinality>
  </xsd:documentation>
</xsd:annotation>
</xsd:element>
<xsd:element name="ReferencedFood_Premises" type="bie:ReferencedFood_PremisesType">
  <xsd:annotation>
    <xsd:documentation xml:lang="en">
      <ccts:Acronym>ASBIE</ccts:Acronym>
      <ccts:Definition>A group of data elements that describes the premises
from which the food sample is taken</ccts:Definition>
    </xsd:documentation>
    <ccts:Cardinality>1</ccts:Cardinality>
  </xsd:documentation>
</xsd:annotation>
</xsd:element>
<xsd:element name="Lab_Party" type="bie9:Lab_PartyType">
  <xsd:annotation>
    <xsd:documentation xml:lang="en">
      <ccts:Acronym>ASBIE</ccts:Acronym>
      <ccts:Definition>A specified lab that is responsible of conducting test of a
given sample</ccts:Definition>
    </xsd:documentation>
    <ccts:Cardinality>1</ccts:Cardinality>
  </xsd:documentation>
</xsd:annotation>
</xsd:element>
<xsd:element name="ReferencedCouncil_Party" type="bie9:ReferencedCouncil_PartyType">
  <xsd:annotation>
    <xsd:documentation xml:lang="en">
      <ccts:Acronym>ASBIE</ccts:Acronym>
      <ccts:Definition>A specified local council that is responsible of collecting
sample to be tested</ccts:Definition>
    </xsd:documentation>
    <ccts:Cardinality>1</ccts:Cardinality>
  </xsd:documentation>
</xsd:annotation>
</xsd:element>
<xsd:element name="Sample" type="bie:SampleType">
  <xsd:annotation>
    <xsd:documentation xml:lang="en">
      <ccts:Acronym>ASBIE</ccts:Acronym>
      <ccts:Cardinality>1</ccts:Cardinality>
    </xsd:documentation>
  </xsd:annotation>
</xsd:element>
</xsd:sequence>
</xsd:complexType>
<xsd:complexType name="TestType">
  <xsd:annotation>
    <xsd:documentation xml:lang="en">
      <ccts:Acronym>ABIE</ccts:Acronym>
      <ccts:Definition>A high level category of testing required to be performed on a sample. E.g.
Microbiological or Chemical</ccts:Definition>
    </xsd:documentation>
  </xsd:annotation>
  <xsd:sequence>
    <xsd:element name="Required" type="qdt7:TestType_CodeType">
      <xsd:annotation>
        <xsd:documentation xml:lang="en">
          <ccts:Acronym>BBIE</ccts:Acronym>
          <ccts:Definition>A code that indicates the tests that are required to be
performed on the sample</ccts:Definition>
        </xsd:documentation>
      </xsd:annotation>
    </xsd:element>
  </xsd:sequence>

```

```

        <ccts:Cardinality>1..1</ccts:Cardinality>
      </xsd:documentation>
    </xsd:annotation>
  </xsd:element>
  <xsd:element name="DHSTestResult" type="qdt7:ResultType_CodeType" minOccurs="0">
    <xsd:annotation>
      <xsd:documentation xml:lang="en">
        <ccts:Acronym>BBIE</ccts:Acronym>
        <ccts:Definition>(e.g. Microbiological, Chemical, or Allergen) tests after internal assessment. NB: This information is not transmitted by the laboratories. It is a placeholder for DHS to enter the data.</ccts:Definition>
        <ccts:Cardinality>0..1</ccts:Cardinality>
      </xsd:documentation>
    </xsd:annotation>
  </xsd:element>
  <xsd:element name="Result" type="bie:ResultType" minOccurs="0" maxOccurs="unbounded">
    <xsd:annotation>
      <xsd:documentation xml:lang="en">
        <ccts:Acronym>ASBIE</ccts:Acronym>
        <ccts:Definition>given low level test (e.g. E.Coli, Mercury, or Peanuts)</ccts:Definition>
        <ccts:Cardinality>0..*</ccts:Cardinality>
      </xsd:documentation>
    </xsd:annotation>
  </xsd:element>
</xsd:sequence>
</xsd:complexType>
<xsd:complexType name="VerdictType">
  <xsd:annotation>
    <xsd:documentation xml:lang="en">
      <ccts:Acronym>ABIE</ccts:Acronym>
      <ccts:Definition>The outcome of a prosecution / trial.</ccts:Definition>
    </xsd:documentation>
  </xsd:annotation>
  <xsd:sequence>
    <xsd:element name="ID" type="udt5:IdentifierType">
      <xsd:annotation>
        <xsd:documentation xml:lang="en">
          <ccts:Acronym>BBIE</ccts:Acronym>
          <ccts:Definition>government to identify the verdict/result of a court prosecution.</ccts:Definition>
          <ccts:Cardinality>1..1</ccts:Cardinality>
        </xsd:documentation>
      </xsd:annotation>
    </xsd:element>
    <xsd:element name="ProsecutionID" type="udt5:IdentifierType" minOccurs="0">
      <xsd:annotation>
        <xsd:documentation xml:lang="en">
          <ccts:Acronym>BBIE</ccts:Acronym>
          <ccts:Definition>led to this Verdict</ccts:Definition>
          <ccts:Cardinality>0..1</ccts:Cardinality>
        </xsd:documentation>
      </xsd:annotation>
    </xsd:element>
    <xsd:element name="VerdictDate" type="udt5:TextType">
      <xsd:annotation>
        <xsd:documentation xml:lang="en">
          <ccts:Acronym>BBIE</ccts:Acronym>
          <ccts:Definition>court</ccts:Definition>
          <ccts:Cardinality>1..1</ccts:Cardinality>
        </xsd:documentation>
      </xsd:annotation>
    </xsd:element>
    <xsd:element name="NatureOfSentence" type="udt5:TextType" minOccurs="0">
      <xsd:annotation>
        <xsd:documentation xml:lang="en">
          <ccts:Acronym>BBIE</ccts:Acronym>
          <ccts:Definition>other orders</ccts:Definition>
          <ccts:Cardinality>0..1</ccts:Cardinality>
        </xsd:documentation>
      </xsd:annotation>
    </xsd:element>
  </xsd:sequence>
  <xsd:element name="Type" type="qdt7:VerdictType_CodeType">
    <xsd:annotation>
      <xsd:documentation xml:lang="en">
        <ccts:Acronym>BBIE</ccts:Acronym>
      </xsd:documentation>
    </xsd:annotation>
  </xsd:element>

```

```

court</ccts:Definition>
                                <ccts:Definition>A code that defines the verdict given by the
                                <ccts:Cardinality>1..1</ccts:Cardinality>
                                </xsd:documentation>
                                </xsd:annotation>
                                </xsd:element>
                                </xsd:sequence>
                                </xsd:complexType>
</xsd:schema>
```


Qualified Data Type Schema Modules

In this section, the schema module definitions for the Qualified Data Type Schema modules are provided.

DHS Food and Health Qualified Data Types Schema Module

```
<?xml version="1.0"?>
<xsd:schema xmlns:qdt="urn:dhs:types:FoodHealthTypes:0.97" xmlns:enum5="urn:dhs:codes:FoodHealthTypes:0.97"
xmlns:ccts="urn:un:unece:uncefact:documentation:standard:CoreComponentsTechnicalSpecification:2"
xmlns:xsd="http://www.w3.org/2001/XMLSchema" targetNamespace="urn:dhs:types:FoodHealthTypes:0.97"
elementFormDefault="qualified" attributeFormDefault="unqualified" version="0.97">
  <xsd:import namespace="urn:dhs:codes:FoodHealthTypes:0.97"
schemaLocation="..\dh/codes/FoodHealthCodes.0.97.xsd"/>
  <xsd:complexType name="AuditAssessmentOutcomeType_CodeType">
    <xsd:annotation>
      <xsd:documentation xml:lang="en">
        <ccts:Acronym>QDT</ccts:Acronym>
      </xsd:documentation>
    </xsd:annotation>
    <xsd:simpleContent>
      <xsd:extension base="enum5:AuditAssessmentOutcomeTypeType">
        <xsd:attribute name="CodeListName" type="xsd:string">
          <xsd:annotation>
            <xsd:documentation>
              <ccts:Acronym>SC</ccts:Acronym>
              <ccts:Cardinality>0..1</ccts:Cardinality>
            </xsd:documentation>
          </xsd:annotation>
        </xsd:attribute>
        <xsd:attribute name="CodeListAgencyName" type="xsd:string">
          <xsd:annotation>
            <xsd:documentation>
              <ccts:Acronym>SC</ccts:Acronym>
              <ccts:Cardinality>0..1</ccts:Cardinality>
            </xsd:documentation>
          </xsd:annotation>
        </xsd:attribute>
        <xsd:attribute name="CodeListSchemeURI" type="xsd:string">
          <xsd:annotation>
            <xsd:documentation>
              <ccts:Acronym>SC</ccts:Acronym>
              <ccts:Cardinality>0..1</ccts:Cardinality>
            </xsd:documentation>
          </xsd:annotation>
        </xsd:attribute>
      </xsd:extension>
    </xsd:simpleContent>
  </xsd:complexType>
  <xsd:complexType name="AuditAssessmentPartyType_CodeType">
    <xsd:annotation>
      <xsd:documentation xml:lang="en">
        <ccts:Acronym>QDT</ccts:Acronym>
      </xsd:documentation>
    </xsd:annotation>
    <xsd:simpleContent>
      <xsd:extension base="enum5:AuditAssessmentPartyTypeType">
        <xsd:attribute name="CodeListName" type="xsd:string">
          <xsd:annotation>
            <xsd:documentation>
              <ccts:Acronym>SC</ccts:Acronym>
              <ccts:Cardinality>0..1</ccts:Cardinality>
            </xsd:documentation>
          </xsd:annotation>
        </xsd:attribute>
        <xsd:attribute name="CodeListAgencyName" type="xsd:string">
          <xsd:annotation>
            <xsd:documentation>
              <ccts:Acronym>SC</ccts:Acronym>
              <ccts:Cardinality>0..1</ccts:Cardinality>
            </xsd:documentation>
          </xsd:annotation>
        </xsd:attribute>
      </xsd:extension>
    </xsd:simpleContent>
  </xsd:complexType>
```

```

        <xsd:attribute name="CodeListSchemeURI" type="xsd:string">
          <xsd:annotation>
            <xsd:documentation>
              <ccts:Acronym>SC</ccts:Acronym>
              <ccts:Cardinality>0..1</ccts:Cardinality>
            </xsd:documentation>
          </xsd:annotation>
        </xsd:attribute>
      </xsd:extension>
    </xsd:simpleContent>
  </xsd:complexType>
</xsd:complexType>
<xsd:complexType name="AuditAssessmentType_CodeType">
  <xsd:annotation>
    <xsd:documentation xml:lang="en">
      <ccts:Acronym>QDT</ccts:Acronym>
    </xsd:documentation>
  </xsd:annotation>
  <xsd:simpleContent>
    <xsd:extension base="enum5:AuditAssessmentTypeType">
      <xsd:attribute name="CodeListName" type="xsd:string">
        <xsd:annotation>
          <xsd:documentation>
            <ccts:Acronym>SC</ccts:Acronym>
            <ccts:Cardinality>0..1</ccts:Cardinality>
          </xsd:documentation>
        </xsd:annotation>
      </xsd:attribute>
      <xsd:attribute name="CodeListAgencyName" type="xsd:string">
        <xsd:annotation>
          <xsd:documentation>
            <ccts:Acronym>SC</ccts:Acronym>
            <ccts:Cardinality>0..1</ccts:Cardinality>
          </xsd:documentation>
        </xsd:annotation>
      </xsd:attribute>
      <xsd:attribute name="CodeListSchemeURI" type="xsd:string">
        <xsd:annotation>
          <xsd:documentation>
            <ccts:Acronym>SC</ccts:Acronym>
            <ccts:Cardinality>0..1</ccts:Cardinality>
          </xsd:documentation>
        </xsd:annotation>
      </xsd:attribute>
    </xsd:extension>
  </xsd:simpleContent>
</xsd:complexType>
<xsd:complexType name="ClassificationType_CodeType">
  <xsd:annotation>
    <xsd:documentation xml:lang="en">
      <ccts:Acronym>QDT</ccts:Acronym>
    </xsd:documentation>
  </xsd:annotation>
  <xsd:simpleContent>
    <xsd:extension base="enum5:ClassificationTypeType">
      <xsd:attribute name="CodeListName" type="xsd:string">
        <xsd:annotation>
          <xsd:documentation>
            <ccts:Acronym>SC</ccts:Acronym>
            <ccts:Cardinality>0..1</ccts:Cardinality>
          </xsd:documentation>
        </xsd:annotation>
      </xsd:attribute>
      <xsd:attribute name="CodeListAgencyName" type="xsd:string">
        <xsd:annotation>
          <xsd:documentation>
            <ccts:Acronym>SC</ccts:Acronym>
            <ccts:Cardinality>0..1</ccts:Cardinality>
          </xsd:documentation>
        </xsd:annotation>
      </xsd:attribute>
      <xsd:attribute name="CodeListSchemeURI" type="xsd:string">
        <xsd:annotation>
          <xsd:documentation>
            <ccts:Acronym>SC</ccts:Acronym>
            <ccts:Cardinality>0..1</ccts:Cardinality>
          </xsd:documentation>
        </xsd:annotation>
      </xsd:attribute>
    </xsd:extension>
  </xsd:simpleContent>
</xsd:extension>

```

```

    </xsd:simpleContent>
  </xsd:complexType>
</xsd:complexType name="ComplaintType_CodeType">
  <xsd:annotation>
    <xsd:documentation xml:lang="en">
      <ccts:Acronym>QDT</ccts:Acronym>
    </xsd:documentation>
  </xsd:annotation>
  <xsd:simpleContent>
    <xsd:extension base="enum5:ComplaintTypeType">
      <xsd:attribute name="CodeListName" type="xsd:string">
        <xsd:annotation>
          <xsd:documentation>
            <ccts:Acronym>SC</ccts:Acronym>
            <ccts:Cardinality>0..1</ccts:Cardinality>
          </xsd:documentation>
        </xsd:annotation>
      </xsd:attribute>
      <xsd:attribute name="CodeListAgencyName" type="xsd:string">
        <xsd:annotation>
          <xsd:documentation>
            <ccts:Acronym>SC</ccts:Acronym>
            <ccts:Cardinality>0..1</ccts:Cardinality>
          </xsd:documentation>
        </xsd:annotation>
      </xsd:attribute>
      <xsd:attribute name="CodeListSchemeURI" type="xsd:string">
        <xsd:annotation>
          <xsd:documentation>
            <ccts:Acronym>SC</ccts:Acronym>
            <ccts:Cardinality>0..1</ccts:Cardinality>
          </xsd:documentation>
        </xsd:annotation>
      </xsd:attribute>
    </xsd:extension>
  </xsd:simpleContent>
</xsd:complexType>
</xsd:complexType name="CouncilType_CodeType">
  <xsd:annotation>
    <xsd:documentation xml:lang="en">
      <ccts:Acronym>QDT</ccts:Acronym>
    </xsd:documentation>
  </xsd:annotation>
  <xsd:simpleContent>
    <xsd:extension base="enum5:CouncilTypeType">
      <xsd:attribute name="CodeListName" type="xsd:string">
        <xsd:annotation>
          <xsd:documentation>
            <ccts:Acronym>SC</ccts:Acronym>
            <ccts:Cardinality>0..1</ccts:Cardinality>
          </xsd:documentation>
        </xsd:annotation>
      </xsd:attribute>
      <xsd:attribute name="CodeListAgencyName" type="xsd:string">
        <xsd:annotation>
          <xsd:documentation>
            <ccts:Acronym>SC</ccts:Acronym>
            <ccts:Cardinality>0..1</ccts:Cardinality>
          </xsd:documentation>
        </xsd:annotation>
      </xsd:attribute>
      <xsd:attribute name="CodeListSchemeURI" type="xsd:string">
        <xsd:annotation>
          <xsd:documentation>
            <ccts:Acronym>SC</ccts:Acronym>
            <ccts:Cardinality>0..1</ccts:Cardinality>
          </xsd:documentation>
        </xsd:annotation>
      </xsd:attribute>
    </xsd:extension>
  </xsd:simpleContent>
</xsd:complexType>
</xsd:complexType name="DataCollectionType_CodeType">
  <xsd:annotation>
    <xsd:documentation xml:lang="en">
      <ccts:Acronym>QDT</ccts:Acronym>
    </xsd:documentation>
  </xsd:annotation>
  <xsd:simpleContent>

```

```

<xsd:extension base="enum5:DataCollectionTypeType">
  <xsd:attribute name="CodeListName" type="xsd:string">
    <xsd:annotation>
      <xsd:documentation>
        <ccts:Acronym>SC</ccts:Acronym>
        <ccts:Cardinality>0..1</ccts:Cardinality>
      </xsd:documentation>
    </xsd:annotation>
  </xsd:attribute>
  <xsd:attribute name="CodeListAgencyName" type="xsd:string">
    <xsd:annotation>
      <xsd:documentation>
        <ccts:Acronym>SC</ccts:Acronym>
        <ccts:Cardinality>0..1</ccts:Cardinality>
      </xsd:documentation>
    </xsd:annotation>
  </xsd:attribute>
  <xsd:attribute name="CodeListSchemeURI" type="xsd:string">
    <xsd:annotation>
      <xsd:documentation>
        <ccts:Acronym>SC</ccts:Acronym>
        <ccts:Cardinality>0..1</ccts:Cardinality>
      </xsd:documentation>
    </xsd:annotation>
  </xsd:attribute>
</xsd:extension>
</xsd:simpleContent>
</xsd:complexType>
<xsd:complexType name="EnforcementActionType_CodeType">
  <xsd:annotation>
    <xsd:documentation xml:lang="en">
      <ccts:Acronym>QDT</ccts:Acronym>
    </xsd:documentation>
  </xsd:annotation>
  <xsd:simpleContent>
    <xsd:extension base="enum5:EnforcementActionTypeType">
      <xsd:attribute name="CodeListName" type="xsd:string">
        <xsd:annotation>
          <xsd:documentation>
            <ccts:Acronym>SC</ccts:Acronym>
            <ccts:Cardinality>0..1</ccts:Cardinality>
          </xsd:documentation>
        </xsd:annotation>
      </xsd:attribute>
      <xsd:attribute name="CodeListAgencyName" type="xsd:string">
        <xsd:annotation>
          <xsd:documentation>
            <ccts:Acronym>SC</ccts:Acronym>
            <ccts:Cardinality>0..1</ccts:Cardinality>
          </xsd:documentation>
        </xsd:annotation>
      </xsd:attribute>
      <xsd:attribute name="CodeListSchemeURI" type="xsd:string">
        <xsd:annotation>
          <xsd:documentation>
            <ccts:Acronym>SC</ccts:Acronym>
            <ccts:Cardinality>0..1</ccts:Cardinality>
          </xsd:documentation>
        </xsd:annotation>
      </xsd:attribute>
    </xsd:extension>
  </xsd:simpleContent>
</xsd:complexType>
<xsd:complexType name="EnforcementType_CodeType">
  <xsd:annotation>
    <xsd:documentation xml:lang="en">
      <ccts:Acronym>QDT</ccts:Acronym>
    </xsd:documentation>
  </xsd:annotation>
  <xsd:simpleContent>
    <xsd:extension base="enum5:EnforcementTypeType">
      <xsd:attribute name="CodeListName" type="xsd:string">
        <xsd:annotation>
          <xsd:documentation>
            <ccts:Acronym>SC</ccts:Acronym>
            <ccts:Cardinality>0..1</ccts:Cardinality>
          </xsd:documentation>
        </xsd:annotation>
      </xsd:attribute>
    </xsd:extension>
  </xsd:simpleContent>
</xsd:complexType>

```

```

<xsd:attribute name="CodeListAgencyName" type="xsd:string">
  <xsd:annotation>
    <xsd:documentation>
      <ccts:Acronym>SC</ccts:Acronym>
      <ccts:Cardinality>0..1</ccts:Cardinality>
    </xsd:documentation>
  </xsd:annotation>
</xsd:attribute>
<xsd:attribute name="CodeListSchemeURI" type="xsd:string">
  <xsd:annotation>
    <xsd:documentation>
      <ccts:Acronym>SC</ccts:Acronym>
      <ccts:Cardinality>0..1</ccts:Cardinality>
    </xsd:documentation>
  </xsd:annotation>
</xsd:attribute>
</xsd:extension>
</xsd:simpleContent>
</xsd:complexType>
<xsd:complexType name="FoodRecallInvestigationType_CodeType">
  <xsd:annotation>
    <xsd:documentation xml:lang="en">
      <ccts:Acronym>QDT</ccts:Acronym>
    </xsd:documentation>
  </xsd:annotation>
  <xsd:simpleContent>
    <xsd:extension base="enum5:FoodRecallInvestigationTypeType">
      <xsd:attribute name="CodeListName" type="xsd:string">
        <xsd:annotation>
          <xsd:documentation>
            <ccts:Acronym>SC</ccts:Acronym>
            <ccts:Cardinality>0..1</ccts:Cardinality>
          </xsd:documentation>
        </xsd:annotation>
      </xsd:attribute>
      <xsd:attribute name="CodeListAgencyName" type="xsd:string">
        <xsd:annotation>
          <xsd:documentation>
            <ccts:Acronym>SC</ccts:Acronym>
            <ccts:Cardinality>0..1</ccts:Cardinality>
          </xsd:documentation>
        </xsd:annotation>
      </xsd:attribute>
      <xsd:attribute name="CodeListSchemeURI" type="xsd:string">
        <xsd:annotation>
          <xsd:documentation>
            <ccts:Acronym>SC</ccts:Acronym>
            <ccts:Cardinality>0..1</ccts:Cardinality>
          </xsd:documentation>
        </xsd:annotation>
      </xsd:attribute>
    </xsd:extension>
  </xsd:simpleContent>
</xsd:complexType>
<xsd:complexType name="FoodSafetyProgramType_CodeType">
  <xsd:annotation>
    <xsd:documentation xml:lang="en">
      <ccts:Acronym>QDT</ccts:Acronym>
    </xsd:documentation>
  </xsd:annotation>
  <xsd:simpleContent>
    <xsd:extension base="enum5:FoodSafetyProgramTypeType">
      <xsd:attribute name="CodeListName" type="xsd:string">
        <xsd:annotation>
          <xsd:documentation>
            <ccts:Acronym>SC</ccts:Acronym>
            <ccts:Cardinality>0..1</ccts:Cardinality>
          </xsd:documentation>
        </xsd:annotation>
      </xsd:attribute>
      <xsd:attribute name="CodeListAgencyName" type="xsd:string">
        <xsd:annotation>
          <xsd:documentation>
            <ccts:Acronym>SC</ccts:Acronym>
            <ccts:Cardinality>0..1</ccts:Cardinality>
          </xsd:documentation>
        </xsd:annotation>
      </xsd:attribute>
      <xsd:attribute name="CodeListSchemeURI" type="xsd:string">
    
```

```

        <xsd:documentation>
          <ccts:Acronym>SC</ccts:Acronym>
          <ccts:Cardinality>0..1</ccts:Cardinality>
        </xsd:documentation>
      </xsd:annotation>
    </xsd:attribute>
  </xsd:extension>
</xsd:simpleContent>
</xsd:complexType>
<xsd:complexType name="IngredientType_CodeType">
  <xsd:annotation>
    <xsd:documentation xml:lang="en">
      <ccts:Acronym>QDT</ccts:Acronym>
    </xsd:documentation>
  </xsd:annotation>
  <xsd:simpleContent>
    <xsd:extension base="enum5:IngredientTypeType">
      <xsd:attribute name="CodeListName" type="xsd:string">
        <xsd:annotation>
          <xsd:documentation>
            <ccts:Acronym>SC</ccts:Acronym>
            <ccts:Cardinality>0..1</ccts:Cardinality>
          </xsd:documentation>
        </xsd:annotation>
      </xsd:attribute>
      <xsd:attribute name="CodeListAgencyName" type="xsd:string">
        <xsd:annotation>
          <xsd:documentation>
            <ccts:Acronym>SC</ccts:Acronym>
            <ccts:Cardinality>0..1</ccts:Cardinality>
          </xsd:documentation>
        </xsd:annotation>
      </xsd:attribute>
      <xsd:attribute name="CodeListSchemeURI" type="xsd:string">
        <xsd:annotation>
          <xsd:documentation>
            <ccts:Acronym>SC</ccts:Acronym>
            <ccts:Cardinality>0..1</ccts:Cardinality>
          </xsd:documentation>
        </xsd:annotation>
      </xsd:attribute>
    </xsd:extension>
  </xsd:simpleContent>
</xsd:complexType>
<xsd:complexType name="InspectionOutcome_TypeType">
  <xsd:annotation>
    <xsd:documentation xml:lang="en">
      <ccts:Acronym>QDT</ccts:Acronym>
    </xsd:documentation>
  </xsd:annotation>
  <xsd:simpleContent>
    <xsd:extension base="enum5:InspectionOutcomeTypeType">
      <xsd:attribute name="CodeListName" type="xsd:string">
        <xsd:annotation>
          <xsd:documentation>
            <ccts:Acronym>SC</ccts:Acronym>
            <ccts:Cardinality>0..1</ccts:Cardinality>
          </xsd:documentation>
        </xsd:annotation>
      </xsd:attribute>
      <xsd:attribute name="CodeListAgencyName" type="xsd:string">
        <xsd:annotation>
          <xsd:documentation>
            <ccts:Acronym>SC</ccts:Acronym>
            <ccts:Cardinality>0..1</ccts:Cardinality>
          </xsd:documentation>
        </xsd:annotation>
      </xsd:attribute>
      <xsd:attribute name="CodeListSchemeURI" type="xsd:string">
        <xsd:annotation>
          <xsd:documentation>
            <ccts:Acronym>SC</ccts:Acronym>
            <ccts:Cardinality>0..1</ccts:Cardinality>
          </xsd:documentation>
        </xsd:annotation>
      </xsd:attribute>
    </xsd:extension>
  </xsd:simpleContent>

```

```

</xsd:complexType>
<xsd:complexType name="InspectionType_CodeType">
  <xsd:annotation>
    <xsd:documentation xml:lang="en">
      <ccts:Acronym>QDT</ccts:Acronym>
    </xsd:documentation>
  </xsd:annotation>
  <xsd:simpleContent>
    <xsd:extension base="enum5:InspectionTypeType">
      <xsd:attribute name="CodeListName" type="xsd:string">
        <xsd:annotation>
          <xsd:documentation>
            <ccts:Acronym>SC</ccts:Acronym>
            <ccts:Cardinality>0..1</ccts:Cardinality>
          </xsd:documentation>
        </xsd:annotation>
      </xsd:attribute>
      <xsd:attribute name="CodeListAgencyName" type="xsd:string">
        <xsd:annotation>
          <xsd:documentation>
            <ccts:Acronym>SC</ccts:Acronym>
            <ccts:Cardinality>0..1</ccts:Cardinality>
          </xsd:documentation>
        </xsd:annotation>
      </xsd:attribute>
      <xsd:attribute name="CodeListSchemeURI" type="xsd:string">
        <xsd:annotation>
          <xsd:documentation>
            <ccts:Acronym>SC</ccts:Acronym>
            <ccts:Cardinality>0..1</ccts:Cardinality>
          </xsd:documentation>
        </xsd:annotation>
      </xsd:attribute>
    </xsd:extension>
  </xsd:simpleContent>
</xsd:complexType>
<xsd:complexType name="LabType_CodeType">
  <xsd:annotation>
    <xsd:documentation xml:lang="en">
      <ccts:Acronym>QDT</ccts:Acronym>
    </xsd:documentation>
  </xsd:annotation>
  <xsd:simpleContent>
    <xsd:extension base="enum5:LabTypeType">
      <xsd:attribute name="CodeListName" type="xsd:string">
        <xsd:annotation>
          <xsd:documentation>
            <ccts:Acronym>SC</ccts:Acronym>
            <ccts:Cardinality>0..1</ccts:Cardinality>
          </xsd:documentation>
        </xsd:annotation>
      </xsd:attribute>
      <xsd:attribute name="CodeListAgencyName" type="xsd:string">
        <xsd:annotation>
          <xsd:documentation>
            <ccts:Acronym>SC</ccts:Acronym>
            <ccts:Cardinality>0..1</ccts:Cardinality>
          </xsd:documentation>
        </xsd:annotation>
      </xsd:attribute>
      <xsd:attribute name="CodeListSchemeURI" type="xsd:string">
        <xsd:annotation>
          <xsd:documentation>
            <ccts:Acronym>SC</ccts:Acronym>
            <ccts:Cardinality>0..1</ccts:Cardinality>
          </xsd:documentation>
        </xsd:annotation>
      </xsd:attribute>
    </xsd:extension>
  </xsd:simpleContent>
</xsd:complexType>
<xsd:complexType name="PackagingType_CodeType">
  <xsd:annotation>
    <xsd:documentation xml:lang="en">
      <ccts:Acronym>QDT</ccts:Acronym>
    </xsd:documentation>
  </xsd:annotation>
  <xsd:simpleContent>
    <xsd:extension base="enum5:PackagingTypeType">

```

```

        <xsd:attribute name="CodeListName" type="xsd:string">
          <xsd:annotation>
            <xsd:documentation>
              <ccts:Acronym>SC</ccts:Acronym>
              <ccts:Cardinality>0..1</ccts:Cardinality>
            </xsd:documentation>
          </xsd:annotation>
        </xsd:attribute>
        <xsd:attribute name="CodeListAgencyName" type="xsd:string">
          <xsd:annotation>
            <xsd:documentation>
              <ccts:Acronym>SC</ccts:Acronym>
              <ccts:Cardinality>0..1</ccts:Cardinality>
            </xsd:documentation>
          </xsd:annotation>
        </xsd:attribute>
        <xsd:attribute name="CodeListSchemeURI" type="xsd:string">
          <xsd:annotation>
            <xsd:documentation>
              <ccts:Acronym>SC</ccts:Acronym>
              <ccts:Cardinality>0..1</ccts:Cardinality>
            </xsd:documentation>
          </xsd:annotation>
        </xsd:attribute>
      </xsd:extension>
    </xsd:simpleContent>
  </xsd:complexType>
</xsd:complexType name="PremisesType_CodeType">
  <xsd:annotation>
    <xsd:documentation xml:lang="en">
      <ccts:Acronym>QDT</ccts:Acronym>
    </xsd:documentation>
  </xsd:annotation>
  <xsd:simpleContent>
    <xsd:extension base="enum5:PremisesTypeType">
      <xsd:attribute name="CodeListName" type="xsd:string">
        <xsd:annotation>
          <xsd:documentation>
            <ccts:Acronym>SC</ccts:Acronym>
            <ccts:Cardinality>0..1</ccts:Cardinality>
          </xsd:documentation>
        </xsd:annotation>
      </xsd:attribute>
      <xsd:attribute name="CodeListSchemeURI" type="xsd:string">
        <xsd:annotation>
          <xsd:documentation>
            <ccts:Acronym>SC</ccts:Acronym>
            <ccts:Cardinality>0..1</ccts:Cardinality>
          </xsd:documentation>
        </xsd:annotation>
      </xsd:attribute>
      <xsd:attribute name="CodeListAgencyName" type="xsd:string">
        <xsd:annotation>
          <xsd:documentation>
            <ccts:Acronym>SC</ccts:Acronym>
            <ccts:Cardinality>0..1</ccts:Cardinality>
          </xsd:documentation>
        </xsd:annotation>
      </xsd:attribute>
    </xsd:extension>
  </xsd:simpleContent>
</xsd:complexType name="PreparationType_CodeType">
  <xsd:annotation>
    <xsd:documentation xml:lang="en">
      <ccts:Acronym>QDT</ccts:Acronym>
    </xsd:documentation>
  </xsd:annotation>
  <xsd:simpleContent>
    <xsd:extension base="enum5:PreparationTypeType">
      <xsd:attribute name="CodeListName" type="xsd:string">
        <xsd:annotation>
          <xsd:documentation>
            <ccts:Acronym>SC</ccts:Acronym>
            <ccts:Cardinality>0..1</ccts:Cardinality>
          </xsd:documentation>
        </xsd:annotation>
      </xsd:attribute>
      <xsd:attribute name="CodeListAgencyName" type="xsd:string">
    
```



```

        <xsd:annotation>
          <xsd:documentation>
            <ccts:Acronym>SC</ccts:Acronym>
            <ccts:Cardinality>0..1</ccts:Cardinality>
          </xsd:documentation>
        </xsd:annotation>
      </xsd:attribute>
      <xsd:attribute name="CodeListSchemeURI" type="xsd:string">
        <xsd:annotation>
          <xsd:documentation>
            <ccts:Acronym>SC</ccts:Acronym>
            <ccts:Cardinality>0..1</ccts:Cardinality>
          </xsd:documentation>
        </xsd:annotation>
      </xsd:attribute>
    </xsd:extension>
  </xsd:simpleContent>
</xsd:complexType>
<xsd:complexType name="ProsecutionType_CodeType">
  <xsd:annotation>
    <xsd:documentation xml:lang="en">
      <ccts:Acronym>QDT</ccts:Acronym>
    </xsd:documentation>
  </xsd:annotation>
  <xsd:simpleContent>
    <xsd:extension base="enum5:ProsecutionTypeType">
      <xsd:attribute name="CodeListName" type="xsd:string">
        <xsd:annotation>
          <xsd:documentation>
            <ccts:Acronym>SC</ccts:Acronym>
            <ccts:Cardinality>0..1</ccts:Cardinality>
          </xsd:documentation>
        </xsd:annotation>
      </xsd:attribute>
      <xsd:attribute name="CodeListAgencyName" type="xsd:string">
        <xsd:annotation>
          <xsd:documentation>
            <ccts:Acronym>SC</ccts:Acronym>
            <ccts:Cardinality>0..1</ccts:Cardinality>
          </xsd:documentation>
        </xsd:annotation>
      </xsd:attribute>
      <xsd:attribute name="CodeListSchemeURI" type="xsd:string">
        <xsd:annotation>
          <xsd:documentation>
            <ccts:Acronym>SC</ccts:Acronym>
            <ccts:Cardinality>0..1</ccts:Cardinality>
          </xsd:documentation>
        </xsd:annotation>
      </xsd:attribute>
    </xsd:extension>
  </xsd:simpleContent>
</xsd:complexType>
<xsd:complexType name="ReasonType_CodeType">
  <xsd:annotation>
    <xsd:documentation xml:lang="en">
      <ccts:Acronym>QDT</ccts:Acronym>
    </xsd:documentation>
  </xsd:annotation>
  <xsd:simpleContent>
    <xsd:extension base="enum5:ReasonTypeType">
      <xsd:attribute name="CodeListName" type="xsd:string">
        <xsd:annotation>
          <xsd:documentation>
            <ccts:Acronym>SC</ccts:Acronym>
            <ccts:Cardinality>0..1</ccts:Cardinality>
          </xsd:documentation>
        </xsd:annotation>
      </xsd:attribute>
      <xsd:attribute name="CodeListAgencyName" type="xsd:string">
        <xsd:annotation>
          <xsd:documentation>
            <ccts:Acronym>SC</ccts:Acronym>
            <ccts:Cardinality>0..1</ccts:Cardinality>
          </xsd:documentation>
        </xsd:annotation>
      </xsd:attribute>
      <xsd:attribute name="CodeListSchemeURI" type="xsd:string">
        <xsd:annotation>

```

```

        <xsd:documentation>
            <ccts:Acronym>SC</ccts:Acronym>
            <ccts:Cardinality>0..1</ccts:Cardinality>
        </xsd:documentation>
    </xsd:annotation>
</xsd:attribute>
</xsd:extension>
</xsd:simpleContent>
</xsd:complexType>
<xsd:complexType name="RegistrationType_CodeType">
    <xsd:annotation>
        <xsd:documentation xml:lang="en">
            <ccts:Acronym>QDT</ccts:Acronym>
        </xsd:documentation>
    </xsd:annotation>
    <xsd:simpleContent>
        <xsd:extension base="enum5:RegistrationTypeType">
            <xsd:attribute name="CodeListAgencyName" type="xsd:string">
                <xsd:annotation>
                    <xsd:documentation>
                        <ccts:Acronym>SC</ccts:Acronym>
                        <ccts:Cardinality>0..1</ccts:Cardinality>
                    </xsd:documentation>
                </xsd:annotation>
            </xsd:attribute>
            <xsd:attribute name="CodeListName" type="xsd:string">
                <xsd:annotation>
                    <xsd:documentation>
                        <ccts:Acronym>SC</ccts:Acronym>
                        <ccts:Cardinality>0..1</ccts:Cardinality>
                    </xsd:documentation>
                </xsd:annotation>
            </xsd:attribute>
            <xsd:attribute name="CodeListSchemeURI" type="xsd:string">
                <xsd:annotation>
                    <xsd:documentation>
                        <ccts:Acronym>SC</ccts:Acronym>
                        <ccts:Cardinality>0..1</ccts:Cardinality>
                    </xsd:documentation>
                </xsd:annotation>
            </xsd:attribute>
        </xsd:extension>
    </xsd:simpleContent>
</xsd:complexType>
<xsd:complexType name="ResultDetectionType_CodeType">
    <xsd:annotation>
        <xsd:documentation xml:lang="en">
            <ccts:Acronym>QDT</ccts:Acronym>
        </xsd:documentation>
    </xsd:annotation>
    <xsd:simpleContent>
        <xsd:extension base="enum5:ResultDetectionTypeType">
            <xsd:attribute name="CodeListName" type="xsd:string">
                <xsd:annotation>
                    <xsd:documentation>
                        <ccts:Acronym>SC</ccts:Acronym>
                        <ccts:Cardinality>0..1</ccts:Cardinality>
                    </xsd:documentation>
                </xsd:annotation>
            </xsd:attribute>
            <xsd:attribute name="CodeListAgencyName" type="xsd:string">
                <xsd:annotation>
                    <xsd:documentation>
                        <ccts:Acronym>SC</ccts:Acronym>
                        <ccts:Cardinality>0..1</ccts:Cardinality>
                    </xsd:documentation>
                </xsd:annotation>
            </xsd:attribute>
            <xsd:attribute name="CodeListSchemeURI" type="xsd:string">
                <xsd:annotation>
                    <xsd:documentation>
                        <ccts:Acronym>SC</ccts:Acronym>
                        <ccts:Cardinality>0..1</ccts:Cardinality>
                    </xsd:documentation>
                </xsd:annotation>
            </xsd:attribute>
        </xsd:extension>
    </xsd:simpleContent>
</xsd:complexType>

```

```

<xsd:complexType name="ResultNameType_CodeType">
  <xsd:annotation>
    <xsd:documentation xml:lang="en">
      <ccts:Acronym>QDT</ccts:Acronym>
    </xsd:documentation>
  </xsd:annotation>
  <xsd:simpleContent>
    <xsd:extension base="enum5:ResultNameTypeType">
      <xsd:attribute name="CodeListName" type="xsd:string">
        <xsd:annotation>
          <xsd:documentation>
            <ccts:Acronym>SC</ccts:Acronym>
            <ccts:Cardinality>0..1</ccts:Cardinality>
          </xsd:documentation>
        </xsd:annotation>
      </xsd:attribute>
      <xsd:attribute name="CodeListAgencyName" type="xsd:string">
        <xsd:annotation>
          <xsd:documentation>
            <ccts:Acronym>SC</ccts:Acronym>
            <ccts:Cardinality>0..1</ccts:Cardinality>
          </xsd:documentation>
        </xsd:annotation>
      </xsd:attribute>
      <xsd:attribute name="CodeListSchemeURI" type="xsd:string">
        <xsd:annotation>
          <xsd:documentation>
            <ccts:Acronym>SC</ccts:Acronym>
            <ccts:Cardinality>0..1</ccts:Cardinality>
          </xsd:documentation>
        </xsd:annotation>
      </xsd:attribute>
    </xsd:extension>
  </xsd:simpleContent>
</xsd:complexType>
<xsd:complexType name="ResultOperatorType_CodeType">
  <xsd:annotation>
    <xsd:documentation xml:lang="en">
      <ccts:Acronym>QDT</ccts:Acronym>
    </xsd:documentation>
  </xsd:annotation>
  <xsd:simpleContent>
    <xsd:extension base="enum5:ResultOperatorTypeType">
      <xsd:attribute name="CodeListAgencyName" type="xsd:string">
        <xsd:annotation>
          <xsd:documentation>
            <ccts:Acronym>SC</ccts:Acronym>
            <ccts:Cardinality>0..1</ccts:Cardinality>
          </xsd:documentation>
        </xsd:annotation>
      </xsd:attribute>
      <xsd:attribute name="CodeListSchemeURI" type="xsd:string">
        <xsd:annotation>
          <xsd:documentation>
            <ccts:Acronym>SC</ccts:Acronym>
            <ccts:Cardinality>0..1</ccts:Cardinality>
          </xsd:documentation>
        </xsd:annotation>
      </xsd:attribute>
      <xsd:attribute name="CodeListName" type="xsd:string">
        <xsd:annotation>
          <xsd:documentation>
            <ccts:Acronym>SC</ccts:Acronym>
            <ccts:Cardinality>0..1</ccts:Cardinality>
          </xsd:documentation>
        </xsd:annotation>
      </xsd:attribute>
    </xsd:extension>
  </xsd:simpleContent>
</xsd:complexType>
<xsd:complexType name="ResultType_CodeType">
  <xsd:annotation>
    <xsd:documentation xml:lang="en">
      <ccts:Acronym>QDT</ccts:Acronym>
    </xsd:documentation>
  </xsd:annotation>
  <xsd:simpleContent>
    <xsd:extension base="enum5:ResultTypeType">
      <xsd:attribute name="CodeListName" type="xsd:string">

```

```

        <xsd:annotation>
            <xsd:documentation>
                <ccts:Acronym>SC</ccts:Acronym>
                <ccts:Cardinality>0..1</ccts:Cardinality>
            </xsd:documentation>
        </xsd:annotation>
    </xsd:attribute>
    <xsd:attribute name="CodeListAgencyName" type="xsd:string">
        <xsd:annotation>
            <xsd:documentation>
                <ccts:Acronym>SC</ccts:Acronym>
                <ccts:Cardinality>0..1</ccts:Cardinality>
            </xsd:documentation>
        </xsd:annotation>
    </xsd:attribute>
    <xsd:attribute name="CodeListSchemeURI" type="xsd:string">
        <xsd:annotation>
            <xsd:documentation>
                <ccts:Acronym>SC</ccts:Acronym>
                <ccts:Cardinality>0..1</ccts:Cardinality>
            </xsd:documentation>
        </xsd:annotation>
    </xsd:attribute>
</xsd:extension>
</xsd:simpleContent>
</xsd:complexType>
<xsd:complexType name="SampleSubType_CodeType">
    <xsd:annotation>
        <xsd:documentation xml:lang="en">
            <ccts:Acronym>QDT</ccts:Acronym>
        </xsd:documentation>
    </xsd:annotation>
    <xsd:simpleContent>
        <xsd:extension base="enum5:SampleSubTypeType">
            <xsd:attribute name="CodeListName" type="xsd:string">
                <xsd:annotation>
                    <xsd:documentation>
                        <ccts:Acronym>SC</ccts:Acronym>
                        <ccts:Cardinality>0..1</ccts:Cardinality>
                    </xsd:documentation>
                </xsd:annotation>
            </xsd:attribute>
            <xsd:attribute name="CodeListAgencyName" type="xsd:string">
                <xsd:annotation>
                    <xsd:documentation>
                        <ccts:Acronym>SC</ccts:Acronym>
                        <ccts:Cardinality>0..1</ccts:Cardinality>
                    </xsd:documentation>
                </xsd:annotation>
            </xsd:attribute>
            <xsd:attribute name="CodeListSchemeURI" type="xsd:string">
                <xsd:annotation>
                    <xsd:documentation>
                        <ccts:Acronym>SC</ccts:Acronym>
                        <ccts:Cardinality>0..1</ccts:Cardinality>
                    </xsd:documentation>
                </xsd:annotation>
            </xsd:attribute>
        </xsd:extension>
    </xsd:simpleContent>
</xsd:complexType>
<xsd:complexType name="StorageType_CodeType">
    <xsd:annotation>
        <xsd:documentation xml:lang="en">
            <ccts:Acronym>QDT</ccts:Acronym>
        </xsd:documentation>
    </xsd:annotation>
    <xsd:simpleContent>
        <xsd:extension base="enum5:StorageTypeType">
            <xsd:attribute name="CodeListName" type="xsd:string">
                <xsd:annotation>
                    <xsd:documentation>
                        <ccts:Acronym>SC</ccts:Acronym>
                        <ccts:Cardinality>0..1</ccts:Cardinality>
                    </xsd:documentation>
                </xsd:annotation>
            </xsd:attribute>
            <xsd:attribute name="CodeListAgencyName" type="xsd:string">
                <xsd:annotation>

```

```

        <xsd:documentation>
            <ccts:Acronym>SC</ccts:Acronym>
            <ccts:Cardinality>0..1</ccts:Cardinality>
        </xsd:documentation>
    </xsd:annotation>
</xsd:attribute>
<xsd:attribute name="CodeListSchemeURI" type="xsd:string">
    <xsd:annotation>
        <xsd:documentation>
            <ccts:Acronym>SC</ccts:Acronym>
            <ccts:Cardinality>0..1</ccts:Cardinality>
        </xsd:documentation>
    </xsd:annotation>
</xsd:attribute>
</xsd:extension>
</xsd:simpleContent>
</xsd:complexType>
<xsd:complexType name="TestMethodType_CodeType">
    <xsd:annotation>
        <xsd:documentation xml:lang="en">
            <ccts:Acronym>QDT</ccts:Acronym>
        </xsd:documentation>
    </xsd:annotation>
    <xsd:simpleContent>
        <xsd:extension base="enum5:TestMethodTypeType">
            <xsd:attribute name="CodeListName" type="xsd:string">
                <xsd:annotation>
                    <xsd:documentation>
                        <ccts:Acronym>SC</ccts:Acronym>
                        <ccts:Cardinality>0..1</ccts:Cardinality>
                    </xsd:documentation>
                </xsd:annotation>
            </xsd:attribute>
            <xsd:attribute name="CodeListAgencyName" type="xsd:string">
                <xsd:annotation>
                    <xsd:documentation>
                        <ccts:Acronym>SC</ccts:Acronym>
                        <ccts:Cardinality>0..1</ccts:Cardinality>
                    </xsd:documentation>
                </xsd:annotation>
            </xsd:attribute>
            <xsd:attribute name="CodeListSchemeURI" type="xsd:string">
                <xsd:annotation>
                    <xsd:documentation>
                        <ccts:Acronym>SC</ccts:Acronym>
                        <ccts:Cardinality>0..1</ccts:Cardinality>
                    </xsd:documentation>
                </xsd:annotation>
            </xsd:attribute>
        </xsd:extension>
    </xsd:simpleContent>
</xsd:complexType>
<xsd:complexType name="TestType_CodeType">
    <xsd:annotation>
        <xsd:documentation xml:lang="en">
            <ccts:Acronym>QDT</ccts:Acronym>
        </xsd:documentation>
    </xsd:annotation>
    <xsd:simpleContent>
        <xsd:extension base="enum5:TestTypeType">
            <xsd:attribute name="CodeListName" type="xsd:string">
                <xsd:annotation>
                    <xsd:documentation>
                        <ccts:Acronym>SC</ccts:Acronym>
                        <ccts:Cardinality>0..1</ccts:Cardinality>
                    </xsd:documentation>
                </xsd:annotation>
            </xsd:attribute>
            <xsd:attribute name="CodeListAgencyName" type="xsd:string">
                <xsd:annotation>
                    <xsd:documentation>
                        <ccts:Acronym>SC</ccts:Acronym>
                        <ccts:Cardinality>0..1</ccts:Cardinality>
                    </xsd:documentation>
                </xsd:annotation>
            </xsd:attribute>
            <xsd:attribute name="CodeListSchemeURI" type="xsd:string">
                <xsd:annotation>
                    <xsd:documentation>

```

```

                <ccts:Acronym>SC</ccts:Acronym>
                <ccts:Cardinality>0..1</ccts:Cardinality>
            </xsd:documentation>
        </xsd:annotation>
    </xsd:attribute>
</xsd:extension>
</xsd:simpleContent>
</xsd:complexType>
<xsd:complexType name="UnitOfMeasurementType_CodeType">
    <xsd:annotation>
        <xsd:documentation xml:lang="en">
            <ccts:Acronym>QDT</ccts:Acronym>
        </xsd:documentation>
    </xsd:annotation>
    <xsd:simpleContent>
        <xsd:extension base="enum5:UnitOfMeasurementTypeType">
            <xsd:attribute name="CodeListName" type="xsd:string">
                <xsd:annotation>
                    <xsd:documentation>
                        <ccts:Acronym>SC</ccts:Acronym>
                        <ccts:Cardinality>0..1</ccts:Cardinality>
                    </xsd:documentation>
                </xsd:annotation>
            </xsd:attribute>
            <xsd:attribute name="CodeListAgencyName" type="xsd:string">
                <xsd:annotation>
                    <xsd:documentation>
                        <ccts:Acronym>SC</ccts:Acronym>
                        <ccts:Cardinality>0..1</ccts:Cardinality>
                    </xsd:documentation>
                </xsd:annotation>
            </xsd:attribute>
            <xsd:attribute name="CodeListSchemeURI" type="xsd:string">
                <xsd:annotation>
                    <xsd:documentation>
                        <ccts:Acronym>SC</ccts:Acronym>
                        <ccts:Cardinality>0..1</ccts:Cardinality>
                    </xsd:documentation>
                </xsd:annotation>
            </xsd:attribute>
        </xsd:extension>
    </xsd:simpleContent>
</xsd:complexType>
<xsd:complexType name="VerdictType_CodeType">
    <xsd:annotation>
        <xsd:documentation xml:lang="en">
            <ccts:Acronym>QDT</ccts:Acronym>
        </xsd:documentation>
    </xsd:annotation>
    <xsd:simpleContent>
        <xsd:extension base="enum5:VerdictTypeType">
            <xsd:attribute name="CodeListName" type="xsd:string">
                <xsd:annotation>
                    <xsd:documentation>
                        <ccts:Acronym>SC</ccts:Acronym>
                        <ccts:Cardinality>0..1</ccts:Cardinality>
                    </xsd:documentation>
                </xsd:annotation>
            </xsd:attribute>
            <xsd:attribute name="CodeListAgencyName" type="xsd:string">
                <xsd:annotation>
                    <xsd:documentation>
                        <ccts:Acronym>SC</ccts:Acronym>
                        <ccts:Cardinality>0..1</ccts:Cardinality>
                    </xsd:documentation>
                </xsd:annotation>
            </xsd:attribute>
            <xsd:attribute name="CodeListSchemeURI" type="xsd:string">
                <xsd:annotation>
                    <xsd:documentation>
                        <ccts:Acronym>SC</ccts:Acronym>
                        <ccts:Cardinality>0..1</ccts:Cardinality>
                    </xsd:documentation>
                </xsd:annotation>
            </xsd:attribute>
        </xsd:extension>
    </xsd:simpleContent>
</xsd:complexType>
<xsd:complexType name="WaterSupplyType_CodeType">

```

```

<xsd:annotation>
  <xsd:documentation xml:lang="en">
    <ccts:Acronym>QDT</ccts:Acronym>
  </xsd:documentation>
</xsd:annotation>
<xsd:simpleContent>
  <xsd:extension base="enum5:WaterSupplyTypeType">
    <xsd:attribute name="CodeListName" type="xsd:string">
      <xsd:annotation>
        <xsd:documentation>
          <ccts:Acronym>SC</ccts:Acronym>
          <ccts:Cardinality>0..1</ccts:Cardinality>
        </xsd:documentation>
      </xsd:annotation>
    </xsd:attribute>
    <xsd:attribute name="CodeListAgencyName" type="xsd:string">
      <xsd:annotation>
        <xsd:documentation>
          <ccts:Acronym>SC</ccts:Acronym>
          <ccts:Cardinality>0..1</ccts:Cardinality>
        </xsd:documentation>
      </xsd:annotation>
    </xsd:attribute>
    <xsd:attribute name="CodeListSchemeURI" type="xsd:string">
      <xsd:annotation>
        <xsd:documentation>
          <ccts:Acronym>SC</ccts:Acronym>
          <ccts:Cardinality>0..1</ccts:Cardinality>
        </xsd:documentation>
      </xsd:annotation>
    </xsd:attribute>
  </xsd:extension>
</xsd:simpleContent>
</xsd:complexType>
<xsd:complexType name="SampleType_CodeType">
  <xsd:annotation>
    <xsd:documentation xml:lang="en">
      <ccts:Acronym>QDT</ccts:Acronym>
    </xsd:documentation>
  </xsd:annotation>
  <xsd:simpleContent>
    <xsd:extension base="enum5:SampleTypeType">
      <xsd:attribute name="CodeListName" type="xsd:string">
        <xsd:annotation>
          <xsd:documentation>
            <ccts:Acronym>SC</ccts:Acronym>
            <ccts:Cardinality>0..1</ccts:Cardinality>
          </xsd:documentation>
        </xsd:annotation>
      </xsd:attribute>
      <xsd:attribute name="CodeListAgencyName" type="xsd:string">
        <xsd:annotation>
          <xsd:documentation>
            <ccts:Acronym>SC</ccts:Acronym>
            <ccts:Cardinality>0..1</ccts:Cardinality>
          </xsd:documentation>
        </xsd:annotation>
      </xsd:attribute>
      <xsd:attribute name="CodeListSchemeURI" type="xsd:string">
        <xsd:annotation>
          <xsd:documentation>
            <ccts:Acronym>SC</ccts:Acronym>
            <ccts:Cardinality>0..1</ccts:Cardinality>
          </xsd:documentation>
        </xsd:annotation>
      </xsd:attribute>
    </xsd:extension>
  </xsd:simpleContent>
</xsd:complexType>
</xsd:schema>

```

Common Qualified Data Type Schema Module

```

<?xml version="1.0"?>
<xsd:schema xmlns:qdt="urn:dhs:types:CommonTypes:0.97" xmlns:enum6="urn:dhs:codes:CommonTypes:0.97"
xmlns:ccts="urn:un:unece:uncefact:documentation:standard:CoreComponentsTechnicalSpecification:2"

```

```

xmlns:xsd="http://www.w3.org/2001/XMLSchema" targetNamespace="urn:dhs.types:CommonTypes:0.97"
elementFormDefault="qualified" attributeFormDefault="unqualified" version="0.97">
  <xsd:import namespace="urn:dhs.codes:CommonTypes:0.97" schemaLocation="../../dh/codes/CommonCodes.0.97.xsd"/>
  <xsd:complexType name="Country_CodeType">
    <xsd:annotation>
      <xsd:documentation xml:lang="en">
        <ccts:Acronym>QDT</ccts:Acronym>
        <ccts:BusinessTerm>code</ccts:BusinessTerm>
      </xsd:documentation>
    </xsd:annotation>
    <xsd:simpleContent>
      <xsd:extension base="enum6:CountryType">
        <xsd:attribute name="CodeListAgencyName" type="xsd:string">
          <xsd:annotation>
            <xsd:documentation>
              <ccts:Acronym>SC</ccts:Acronym>
              <ccts:Cardinality>0..1</ccts:Cardinality>
            </xsd:documentation>
          </xsd:annotation>
        </xsd:attribute>
        <xsd:attribute name="CodeListName" type="xsd:string">
          <xsd:annotation>
            <xsd:documentation>
              <ccts:Acronym>SC</ccts:Acronym>
              <ccts:Cardinality>0..1</ccts:Cardinality>
            </xsd:documentation>
          </xsd:annotation>
        </xsd:attribute>
        <xsd:attribute name="CodeListSchemeURI" type="xsd:string">
          <xsd:annotation>
            <xsd:documentation>
              <ccts:Acronym>SC</ccts:Acronym>
              <ccts:Cardinality>0..1</ccts:Cardinality>
            </xsd:documentation>
          </xsd:annotation>
        </xsd:attribute>
        <xsd:attribute name="CodeName" type="xsd:string">
          <xsd:annotation>
            <xsd:documentation>
              <ccts:Acronym>SC</ccts:Acronym>
              <ccts:Cardinality>0..1</ccts:Cardinality>
            </xsd:documentation>
          </xsd:annotation>
        </xsd:attribute>
      </xsd:extension>
    </xsd:simpleContent>
  </xsd:complexType>
  <xsd:complexType name="LevelType_CodeType">
    <xsd:annotation>
      <xsd:documentation xml:lang="en">
        <ccts:Acronym>QDT</ccts:Acronym>
      </xsd:documentation>
    </xsd:annotation>
    <xsd:simpleContent>
      <xsd:extension base="enum6:LevelTypeType">
        <xsd:attribute name="CodeListAgencyName" type="xsd:string">
          <xsd:annotation>
            <xsd:documentation>
              <ccts:Acronym>SC</ccts:Acronym>
              <ccts:Cardinality>0..1</ccts:Cardinality>
            </xsd:documentation>
          </xsd:annotation>
        </xsd:attribute>
        <xsd:attribute name="CodeListIdentifier" type="xsd:string">
          <xsd:annotation>
            <xsd:documentation>
              <ccts:Acronym>SC</ccts:Acronym>
              <ccts:Cardinality>0..1</ccts:Cardinality>
            </xsd:documentation>
          </xsd:annotation>
        </xsd:attribute>
        <xsd:attribute name="CodeListName" type="xsd:string">
          <xsd:annotation>
            <xsd:documentation>
              <ccts:Acronym>SC</ccts:Acronym>
              <ccts:Cardinality>0..1</ccts:Cardinality>
            </xsd:documentation>
          </xsd:annotation>
        </xsd:attribute>
      </xsd:extension>
    </xsd:simpleContent>
  </xsd:complexType>

```



```

        <xsd:attribute name="CodeListSchemeURI" type="xsd:string">
          <xsd:annotation>
            <xsd:documentation>
              <ccts:Acronym>SC</ccts:Acronym>
              <ccts:Cardinality>0..1</ccts:Cardinality>
            </xsd:documentation>
          </xsd:annotation>
        </xsd:attribute>
        <xsd:attribute name="CodeName" type="xsd:string">
          <xsd:annotation>
            <xsd:documentation>
              <ccts:Acronym>SC</ccts:Acronym>
              <ccts:Cardinality>0..1</ccts:Cardinality>
            </xsd:documentation>
          </xsd:annotation>
        </xsd:attribute>
      </xsd:extension>
    </xsd:simpleContent>
  </xsd:complexType>
  <xsd:complexType name="StateTerritory_CodeType">
    <xsd:annotation>
      <xsd:documentation xml:lang="en">
        <ccts:Acronym>QDT</ccts:Acronym>
      </xsd:documentation>
    </xsd:annotation>
    <xsd:simpleContent>
      <xsd:extension base="enum6:StateTerritoryType">
        <xsd:attribute name="CodeListAgencyName" type="xsd:string">
          <xsd:annotation>
            <xsd:documentation>
              <ccts:Acronym>SC</ccts:Acronym>
              <ccts:Cardinality>0..1</ccts:Cardinality>
            </xsd:documentation>
          </xsd:annotation>
        </xsd:attribute>
        <xsd:attribute name="CodeListIdentifier" type="xsd:string">
          <xsd:annotation>
            <xsd:documentation>
              <ccts:Acronym>SC</ccts:Acronym>
              <ccts:Cardinality>0..1</ccts:Cardinality>
            </xsd:documentation>
          </xsd:annotation>
        </xsd:attribute>
        <xsd:attribute name="CodeListName" type="xsd:string">
          <xsd:annotation>
            <xsd:documentation>
              <ccts:Acronym>SC</ccts:Acronym>
              <ccts:Cardinality>0..1</ccts:Cardinality>
            </xsd:documentation>
          </xsd:annotation>
        </xsd:attribute>
        <xsd:attribute name="CodeListSchemeURI" type="xsd:string">
          <xsd:annotation>
            <xsd:documentation>
              <ccts:Acronym>SC</ccts:Acronym>
              <ccts:Cardinality>0..1</ccts:Cardinality>
            </xsd:documentation>
          </xsd:annotation>
        </xsd:attribute>
        <xsd:attribute name="CodeName" type="xsd:string">
          <xsd:annotation>
            <xsd:documentation>
              <ccts:Acronym>SC</ccts:Acronym>
              <ccts:Cardinality>0..1</ccts:Cardinality>
            </xsd:documentation>
          </xsd:annotation>
        </xsd:attribute>
      </xsd:extension>
    </xsd:simpleContent>
  </xsd:complexType>
  <xsd:complexType name="StreetSuffix_CodeType">
    <xsd:annotation>
      <xsd:documentation xml:lang="en">
        <ccts:Acronym>QDT</ccts:Acronym>
      </xsd:documentation>
    </xsd:annotation>
    <xsd:simpleContent>
      <xsd:extension base="enum6:StreetSuffixType">
        <xsd:attribute name="CodeListAgencyName" type="xsd:string">

```

```

        <xsd:annotation>
          <xsd:documentation>
            <ccts:Acronym>SC</ccts:Acronym>
            <ccts:Cardinality>0..1</ccts:Cardinality>
          </xsd:documentation>
        </xsd:annotation>
      </xsd:attribute>
      <xsd:attribute name="CodeListIdentifier" type="xsd:string">
        <xsd:annotation>
          <xsd:documentation>
            <ccts:Acronym>SC</ccts:Acronym>
            <ccts:Cardinality>0..1</ccts:Cardinality>
          </xsd:documentation>
        </xsd:annotation>
      </xsd:attribute>
      <xsd:attribute name="CodeListSchemeURI" type="xsd:string">
        <xsd:annotation>
          <xsd:documentation>
            <ccts:Acronym>SC</ccts:Acronym>
            <ccts:Cardinality>0..1</ccts:Cardinality>
          </xsd:documentation>
        </xsd:annotation>
      </xsd:attribute>
      <xsd:attribute name="CodeName" type="xsd:string">
        <xsd:annotation>
          <xsd:documentation>
            <ccts:Acronym>SC</ccts:Acronym>
            <ccts:Cardinality>0..1</ccts:Cardinality>
          </xsd:documentation>
        </xsd:annotation>
      </xsd:attribute>
      <xsd:attribute name="CodeListName" type="xsd:string">
        <xsd:annotation>
          <xsd:documentation>
            <ccts:Acronym>SC</ccts:Acronym>
            <ccts:Cardinality>0..1</ccts:Cardinality>
          </xsd:documentation>
        </xsd:annotation>
      </xsd:attribute>
    </xsd:extension>
  </xsd:simpleContent>
</xsd:complexType>
<xsd:complexType name="StreetType_CodeType">
  <xsd:annotation>
    <xsd:documentation xml:lang="en">
      <ccts:Acronym>QDT</ccts:Acronym>
    </xsd:documentation>
  </xsd:annotation>
  <xsd:simpleContent>
    <xsd:extension base="enum6:StreetTypeType">
      <xsd:attribute name="CodeListAgencyName" type="xsd:string">
        <xsd:annotation>
          <xsd:documentation>
            <ccts:Acronym>SC</ccts:Acronym>
            <ccts:Cardinality>0..1</ccts:Cardinality>
          </xsd:documentation>
        </xsd:annotation>
      </xsd:attribute>
      <xsd:attribute name="CodeListIdentifier" type="xsd:string">
        <xsd:annotation>
          <xsd:documentation>
            <ccts:Acronym>SC</ccts:Acronym>
            <ccts:Cardinality>0..1</ccts:Cardinality>
          </xsd:documentation>
        </xsd:annotation>
      </xsd:attribute>
      <xsd:attribute name="CodeListName" type="xsd:string">
        <xsd:annotation>
          <xsd:documentation>
            <ccts:Acronym>SC</ccts:Acronym>
            <ccts:Cardinality>0..1</ccts:Cardinality>
          </xsd:documentation>
        </xsd:annotation>
      </xsd:attribute>
      <xsd:attribute name="CodeListSchemeURI" type="xsd:string">
        <xsd:annotation>
          <xsd:documentation>
            <ccts:Acronym>SC</ccts:Acronym>
            <ccts:Cardinality>0..1</ccts:Cardinality>
          </xsd:documentation>
        </xsd:annotation>
      </xsd:attribute>
    </xsd:extension>
  </xsd:simpleContent>

```

```

        </xsd:documentation>
      </xsd:annotation>
    </xsd:attribute>
    <xsd:attribute name="CodeName" type="xsd:string">
      <xsd:annotation>
        <xsd:documentation>
          <ccts:Acronym>SC</ccts:Acronym>
          <ccts:Cardinality>0..1</ccts:Cardinality>
        </xsd:documentation>
      </xsd:annotation>
    </xsd:attribute>
  </xsd:extension>
</xsd:simpleContent>
</xsd:complexType>
<xsd:complexType name="UnitType_CodeType">
  <xsd:annotation>
    <xsd:documentation xml:lang="en">
      <ccts:Acronym>QDT</ccts:Acronym>
    </xsd:documentation>
  </xsd:annotation>
  <xsd:simpleContent>
    <xsd:extension base="enum6:UnitTypeType">
      <xsd:attribute name="CodeListAgencyName" type="xsd:string">
        <xsd:annotation>
          <xsd:documentation>
            <ccts:Acronym>SC</ccts:Acronym>
            <ccts:Cardinality>0..1</ccts:Cardinality>
          </xsd:documentation>
        </xsd:annotation>
      </xsd:attribute>
      <xsd:attribute name="CodeListIdentifier" type="xsd:string">
        <xsd:annotation>
          <xsd:documentation>
            <ccts:Acronym>SC</ccts:Acronym>
            <ccts:Cardinality>0..1</ccts:Cardinality>
          </xsd:documentation>
        </xsd:annotation>
      </xsd:attribute>
      <xsd:attribute name="CodeListName" type="xsd:string">
        <xsd:annotation>
          <xsd:documentation>
            <ccts:Acronym>SC</ccts:Acronym>
            <ccts:Cardinality>0..1</ccts:Cardinality>
          </xsd:documentation>
        </xsd:annotation>
      </xsd:attribute>
      <xsd:attribute name="CodeListSchemeURI" type="xsd:string">
        <xsd:annotation>
          <xsd:documentation>
            <ccts:Acronym>SC</ccts:Acronym>
            <ccts:Cardinality>0..1</ccts:Cardinality>
          </xsd:documentation>
        </xsd:annotation>
      </xsd:attribute>
      <xsd:attribute name="CodeName" type="xsd:string">
        <xsd:annotation>
          <xsd:documentation>
            <ccts:Acronym>SC</ccts:Acronym>
            <ccts:Cardinality>0..1</ccts:Cardinality>
          </xsd:documentation>
        </xsd:annotation>
      </xsd:attribute>
    </xsd:extension>
  </xsd:simpleContent>
</xsd:complexType>
</xsd:schema>

```

Enumeration Schema Modules

In this section, the schema module definitions for the Enumeration Schema modules are provided.

DHS Food and Health Enumeration Schema Module

```
<?xml version="1.0"?>
<xsd:schema xmlns:enum="urn:dhs:codes:FoodHealthTypes:0.97"
xmlns:ccts="urn:un:unece:uncefact:documentation:standard:CoreComponentsTechnicalSpecification:2"
xmlns:xsd="http://www.w3.org/2001/XMLSchema" targetNamespace="urn:dhs:codes:FoodHealthTypes:0.97"
elementFormDefault="qualified" attributeFormDefault="unqualified" version="0.97">
  <xsd:simpleType name="AuditAssessmentOutcomeTypeType">
    <xsd:restriction base="xsd:token">
      <xsd:enumeration value="10">
        <xsd:annotation>
          <xsd:documentation xml:lang="en">
            <ccts:CodeName>10</ccts:CodeName>
            <ccts:CodeDescription>Compliant</ccts:CodeDescription>
          </xsd:documentation>
        </xsd:annotation>
      </xsd:enumeration>
      <xsd:enumeration value="11">
        <xsd:annotation>
          <xsd:documentation xml:lang="en">
            <ccts:CodeName>11</ccts:CodeName>
            <ccts:CodeDescription>Major Non-Compliance</ccts:CodeDescription>
          </xsd:documentation>
        </xsd:annotation>
      </xsd:enumeration>
      <xsd:enumeration value="12">
        <xsd:annotation>
          <xsd:documentation xml:lang="en">
            <ccts:CodeName>12</ccts:CodeName>
            <ccts:CodeDescription>Critical Non-Compliance</ccts:CodeDescription>
          </xsd:documentation>
        </xsd:annotation>
      </xsd:enumeration>
    </xsd:restriction>
  </xsd:simpleType>
  <xsd:simpleType name="AuditAssessmentPartyTypeType">
    <xsd:restriction base="xsd:token">
      <xsd:enumeration value="10">
        <xsd:annotation>
          <xsd:documentation xml:lang="en">
            <ccts:CodeName>10</ccts:CodeName>
            <ccts:CodeDescription>Council</ccts:CodeDescription>
          </xsd:documentation>
        </xsd:annotation>
      </xsd:enumeration>
      <xsd:enumeration value="11">
        <xsd:annotation>
          <xsd:documentation xml:lang="en">
            <ccts:CodeName>11</ccts:CodeName>
            <ccts:CodeDescription>Third Party</ccts:CodeDescription>
          </xsd:documentation>
        </xsd:annotation>
      </xsd:enumeration>
    </xsd:restriction>
  </xsd:simpleType>
  <xsd:simpleType name="AuditAssessmentTypeType">
    <xsd:restriction base="xsd:token">
      <xsd:enumeration value="10">
        <xsd:annotation>
          <xsd:documentation xml:lang="en">
            <ccts:CodeName>10</ccts:CodeName>
            <ccts:CodeDescription>Audit</ccts:CodeDescription>
          </xsd:documentation>
        </xsd:annotation>
      </xsd:enumeration>
      <xsd:enumeration value="11">
        <xsd:annotation>
          <xsd:documentation xml:lang="en">
            <ccts:CodeName>11</ccts:CodeName>
            <ccts:CodeDescription>Audit</ccts:CodeDescription>
          </xsd:documentation>
        </xsd:annotation>
      </xsd:enumeration>
    </xsd:restriction>
  </xsd:simpleType>
```

```

                <ccts:CodeName>11</ccts:CodeName>
                <ccts:CodeDescription>Assessment</ccts:CodeDescription>
            </xsd:documentation>
        </xsd:annotation>
    </xsd:enumeration>
</xsd:restriction>
</xsd:simpleType>
<xsd:simpleType name="ClassificationTypeType">
    <xsd:restriction base="xsd:token">
        <xsd:enumeration value="200">
            <xsd:annotation>
                <xsd:documentation xml:lang="en">
                    <ccts:CodeName>200</ccts:CodeName>
                    <ccts:CodeDescription>Class 1</ccts:CodeDescription>
                </xsd:documentation>
            </xsd:annotation>
        </xsd:enumeration>
        <xsd:enumeration value="201">
            <xsd:annotation>
                <xsd:documentation xml:lang="en">
                    <ccts:CodeName>201</ccts:CodeName>
                    <ccts:CodeDescription>Class 2</ccts:CodeDescription>
                </xsd:documentation>
            </xsd:annotation>
        </xsd:enumeration>
        <xsd:enumeration value="202">
            <xsd:annotation>
                <xsd:documentation xml:lang="en">
                    <ccts:CodeName>202</ccts:CodeName>
                    <ccts:CodeDescription>Class 3</ccts:CodeDescription>
                </xsd:documentation>
            </xsd:annotation>
        </xsd:enumeration>
        <xsd:enumeration value="203">
            <xsd:annotation>
                <xsd:documentation xml:lang="en">
                    <ccts:CodeName>203</ccts:CodeName>
                    <ccts:CodeDescription>Class 4</ccts:CodeDescription>
                </xsd:documentation>
            </xsd:annotation>
        </xsd:enumeration>
    </xsd:restriction>
</xsd:simpleType>
<xsd:simpleType name="ComplaintTypeType">
    <xsd:restriction base="xsd:token">
        <xsd:enumeration value="10">
            <xsd:annotation>
                <xsd:documentation xml:lang="en">
                    <ccts:CodeName>10</ccts:CodeName>
                    <ccts:CodeDescription>Food Adulteration</ccts:CodeDescription>
                </xsd:documentation>
            </xsd:annotation>
        </xsd:enumeration>
        <xsd:enumeration value="11">
            <xsd:annotation>
                <xsd:documentation xml:lang="en">
                    <ccts:CodeName>11</ccts:CodeName>
                    <ccts:CodeDescription>Microbiological</ccts:CodeDescription>
                </xsd:documentation>
            </xsd:annotation>
        </xsd:enumeration>
        <xsd:enumeration value="12">
            <xsd:annotation>
                <xsd:documentation xml:lang="en">
                    <ccts:CodeName>12</ccts:CodeName>
                    <ccts:CodeDescription>Chemical Adulteration</ccts:CodeDescription>
                </xsd:documentation>
            </xsd:annotation>
        </xsd:enumeration>
        <xsd:enumeration value="13">
            <xsd:annotation>
                <xsd:documentation xml:lang="en">
                    <ccts:CodeName>13</ccts:CodeName>
                    <ccts:CodeDescription>Food Premises Related</ccts:CodeDescription>
                </xsd:documentation>
            </xsd:annotation>
        </xsd:enumeration>
    </xsd:restriction>
</xsd:simpleType>

```

```

<xsd:simpleType name="CouncilTypeType">
  <xsd:restriction base="xsd:token">
    <xsd:enumeration value="2120">
      <xsd:annotation>
        <xsd:documentation xml:lang="en">
          <ccts:CodeName>2120</ccts:CodeName>
          <ccts:CodeDescription>City of Ballarat</ccts:CodeDescription>
        </xsd:documentation>
      </xsd:annotation>
    </xsd:enumeration>
    <xsd:enumeration value="2519">
      <xsd:annotation>
        <xsd:documentation xml:lang="en">
          <ccts:CodeName>2519</ccts:CodeName>
          <ccts:CodeDescription>City of Greater Geelong</ccts:CodeDescription>
        </xsd:documentation>
      </xsd:annotation>
    </xsd:enumeration>
    <xsd:enumeration value="2752">
      <xsd:annotation>
        <xsd:documentation xml:lang="en">
          <ccts:CodeName>2752</ccts:CodeName>
          <ccts:CodeDescription>Golden Plains Shire
Council</ccts:CodeDescription>
        </xsd:documentation>
      </xsd:annotation>
    </xsd:enumeration>
    <xsd:enumeration value="2755">
      <xsd:annotation>
        <xsd:documentation xml:lang="en">
          <ccts:CodeName>2755</ccts:CodeName>
          <ccts:CodeDescription>Calac Otway Shire
Council</ccts:CodeDescription>
        </xsd:documentation>
      </xsd:annotation>
    </xsd:enumeration>
    <xsd:enumeration value="2756">
      <xsd:annotation>
        <xsd:documentation xml:lang="en">
          <ccts:CodeName>2756</ccts:CodeName>
          <ccts:CodeDescription>Corangamite Shire
Council</ccts:CodeDescription>
        </xsd:documentation>
      </xsd:annotation>
    </xsd:enumeration>
    <xsd:enumeration value="2757">
      <xsd:annotation>
        <xsd:documentation xml:lang="en">
          <ccts:CodeName>2757</ccts:CodeName>
          <ccts:CodeDescription>Moyne Shire Council</ccts:CodeDescription>
        </xsd:documentation>
      </xsd:annotation>
    </xsd:enumeration>
    <xsd:enumeration value="2758">
      <xsd:annotation>
        <xsd:documentation xml:lang="en">
          <ccts:CodeName>2758</ccts:CodeName>
          <ccts:CodeDescription>Southern Grampians Shire
Council</ccts:CodeDescription>
        </xsd:documentation>
      </xsd:annotation>
    </xsd:enumeration>
    <xsd:enumeration value="2759">
      <xsd:annotation>
        <xsd:documentation xml:lang="en">
          <ccts:CodeName>2759</ccts:CodeName>
          <ccts:CodeDescription>Surf Coast Shire</ccts:CodeDescription>
        </xsd:documentation>
      </xsd:annotation>
    </xsd:enumeration>
    <xsd:enumeration value="2763">
      <xsd:annotation>
        <xsd:documentation xml:lang="en">
          <ccts:CodeName>2763</ccts:CodeName>
          <ccts:CodeDescription>Shire of Alpine</ccts:CodeDescription>
        </xsd:documentation>
      </xsd:annotation>
    </xsd:enumeration>
    <xsd:enumeration value="2765">

```

```

        <xsd:documentation xml:lang="en">
          <ccts:CodeName>2765</ccts:CodeName>
          <ccts:CodeDescription>Baw Baw Shite Council</ccts:CodeDescription>
        </xsd:documentation>
      </xsd:annotation>
    </xsd:enumeration>
    <xsd:enumeration value="2766">
      <xsd:documentation xml:lang="en">
        <ccts:CodeName>2766</ccts:CodeName>
        <ccts:CodeDescription>Bayside City Council</ccts:CodeDescription>
      </xsd:documentation>
    </xsd:annotation>
  </xsd:enumeration>
  <xsd:enumeration value="2767">
    <xsd:documentation xml:lang="en">
      <ccts:CodeName>2767</ccts:CodeName>
      <ccts:CodeDescription>City of Boroondara</ccts:CodeDescription>
    </xsd:documentation>
  </xsd:annotation>
</xsd:enumeration>
<xsd:enumeration value="2780">
  <xsd:documentation xml:lang="en">
    <ccts:CodeName>2780</ccts:CodeName>
    <ccts:CodeDescription>City of Greater
Shepparton</ccts:CodeDescription>
  </xsd:documentation>
</xsd:annotation>
</xsd:enumeration>
<xsd:enumeration value="2781">
  <xsd:documentation xml:lang="en">
    <ccts:CodeName>2781</ccts:CodeName>
    <ccts:CodeDescription>Hepburn Shire Council</ccts:CodeDescription>
  </xsd:documentation>
</xsd:annotation>
</xsd:enumeration>
<xsd:enumeration value="2782">
  <xsd:documentation xml:lang="en">
    <ccts:CodeName>2782</ccts:CodeName>
    <ccts:CodeDescription>Hindmarsh Shire Council</ccts:CodeDescription>
  </xsd:documentation>
</xsd:annotation>
</xsd:enumeration>
<xsd:enumeration value="2783">
  <xsd:documentation xml:lang="en">
    <ccts:CodeName>2783</ccts:CodeName>
    <ccts:CodeDescription>Hobsons Bay City Council</ccts:CodeDescription>
  </xsd:documentation>
</xsd:annotation>
</xsd:enumeration>
<xsd:enumeration value="2784">
  <xsd:documentation xml:lang="en">
    <ccts:CodeName>2784</ccts:CodeName>
    <ccts:CodeDescription>Horsham Rural City
Council</ccts:CodeDescription>
  </xsd:documentation>
</xsd:annotation>
</xsd:enumeration>
<xsd:enumeration value="2787">
  <xsd:documentation xml:lang="en">
    <ccts:CodeName>2787</ccts:CodeName>
    <ccts:CodeDescription>City of Kingston</ccts:CodeDescription>
  </xsd:documentation>
</xsd:annotation>
</xsd:enumeration>
<xsd:enumeration value="2788">
  <xsd:documentation xml:lang="en">
    <ccts:CodeName>2788</ccts:CodeName>
    <ccts:CodeDescription>Latrobe City Council</ccts:CodeDescription>
  </xsd:documentation>
</xsd:annotation>

```

```

        </xsd:annotation>
    </xsd:enumeration>
    <xsd:enumeration value="2789">
        <xsd:annotation>
            <xsd:documentation xml:lang="en">
                <ccts:CodeName>2789</ccts:CodeName>
                <ccts:CodeDescription>Loddon Shire Council</ccts:CodeDescription>
            </xsd:documentation>
        </xsd:annotation>
    </xsd:enumeration>
    <xsd:enumeration value="2790">
        <xsd:annotation>
            <xsd:documentation xml:lang="en">
                <ccts:CodeName>2790</ccts:CodeName>
                <ccts:CodeDescription>Macedon Ranges Shire
Council</ccts:CodeDescription>
            </xsd:documentation>
        </xsd:annotation>
    </xsd:enumeration>
    <xsd:enumeration value="2803">
        <xsd:annotation>
            <xsd:documentation xml:lang="en">
                <ccts:CodeName>2803</ccts:CodeName>
                <ccts:CodeDescription>Northern Grampians Shire
Council</ccts:CodeDescription>
            </xsd:documentation>
        </xsd:annotation>
    </xsd:enumeration>
    <xsd:enumeration value="2804">
        <xsd:annotation>
            <xsd:documentation xml:lang="en">
                <ccts:CodeName>2804</ccts:CodeName>
                <ccts:CodeDescription>Pyrenees Shire Council</ccts:CodeDescription>
            </xsd:documentation>
        </xsd:annotation>
    </xsd:enumeration>
    <xsd:enumeration value="2805">
        <xsd:annotation>
            <xsd:documentation xml:lang="en">
                <ccts:CodeName>2805</ccts:CodeName>
                <ccts:CodeDescription>Borough of Queenscliffe</ccts:CodeDescription>
            </xsd:documentation>
        </xsd:annotation>
    </xsd:enumeration>
    <xsd:enumeration value="2806">
        <xsd:annotation>
            <xsd:documentation xml:lang="en">
                <ccts:CodeName>2806</ccts:CodeName>
                <ccts:CodeDescription>City of Stonnington</ccts:CodeDescription>
            </xsd:documentation>
        </xsd:annotation>
    </xsd:enumeration>
    <xsd:enumeration value="2807">
        <xsd:annotation>
            <xsd:documentation xml:lang="en">
                <ccts:CodeName>2807</ccts:CodeName>
                <ccts:CodeDescription>Shire of Strathbogie</ccts:CodeDescription>
            </xsd:documentation>
        </xsd:annotation>
    </xsd:enumeration>
    <xsd:enumeration value="2808">
        <xsd:annotation>
            <xsd:documentation xml:lang="en">
                <ccts:CodeName>2808</ccts:CodeName>
                <ccts:CodeDescription>Towong Shire Council</ccts:CodeDescription>
            </xsd:documentation>
        </xsd:annotation>
    </xsd:enumeration>
    <xsd:enumeration value="2809">
        <xsd:annotation>
            <xsd:documentation xml:lang="en">
                <ccts:CodeName>2809</ccts:CodeName>
                <ccts:CodeDescription>Wellington Shire Council</ccts:CodeDescription>
            </xsd:documentation>
        </xsd:annotation>
    </xsd:enumeration>
    <xsd:enumeration value="2810">
        <xsd:annotation>
            <xsd:documentation xml:lang="en">

```



```

        <ccts:CodeName>2810</ccts:CodeName>
        <ccts:CodeDescription>West Wimmera Shire
Council</ccts:CodeDescription>
        </xsd:documentation>
        </xsd:annotation>
    </xsd:enumeration>
    <xsd:enumeration value="2811">
        <xsd:annotation>
            <xsd:documentation xml:lang="en">
                <ccts:CodeName>2811</ccts:CodeName>
                <ccts:CodeDescription>City of Whitehorse</ccts:CodeDescription>
            </xsd:documentation>
        </xsd:annotation>
    </xsd:enumeration>
    <xsd:enumeration value="6480">
        <xsd:annotation>
            <xsd:documentation xml:lang="en">
                <ccts:CodeName>6480</ccts:CodeName>
                <ccts:CodeDescription>Melbourne City Council</ccts:CodeDescription>
            </xsd:documentation>
        </xsd:annotation>
    </xsd:enumeration>
    <xsd:enumeration value="6483">
        <xsd:annotation>
            <xsd:documentation xml:lang="en">
                <ccts:CodeName>6483</ccts:CodeName>
                <ccts:CodeDescription>Melton Shire Council</ccts:CodeDescription>
            </xsd:documentation>
        </xsd:annotation>
    </xsd:enumeration>
    <xsd:enumeration value="6495">
        <xsd:annotation>
            <xsd:documentation xml:lang="en">
                <ccts:CodeName>6495</ccts:CodeName>
                <ccts:CodeDescription>Mildura Rural City Council</ccts:CodeDescription>
            </xsd:documentation>
        </xsd:annotation>
    </xsd:enumeration>
    <xsd:enumeration value="6517">
        <xsd:annotation>
            <xsd:documentation xml:lang="en">
                <ccts:CodeName>6517</ccts:CodeName>
                <ccts:CodeDescription>Mornington Peninsula Shire
Council</ccts:CodeDescription>
            </xsd:documentation>
        </xsd:annotation>
    </xsd:enumeration>
    <xsd:enumeration value="6694">
        <xsd:annotation>
            <xsd:documentation xml:lang="en">
                <ccts:CodeName>6694</ccts:CodeName>
                <ccts:CodeDescription>City of Port Phillip</ccts:CodeDescription>
            </xsd:documentation>
        </xsd:annotation>
    </xsd:enumeration>
    <xsd:enumeration value="6738">
        <xsd:annotation>
            <xsd:documentation xml:lang="en">
                <ccts:CodeName>6738</ccts:CodeName>
                <ccts:CodeDescription>Swan Hill Rural City
Council</ccts:CodeDescription>
            </xsd:documentation>
        </xsd:annotation>
    </xsd:enumeration>
    <xsd:enumeration value="6803">
        <xsd:annotation>
            <xsd:documentation xml:lang="en">
                <ccts:CodeName>6803</ccts:CodeName>
                <ccts:CodeDescription>Rural City of Wangaratta</ccts:CodeDescription>
            </xsd:documentation>
        </xsd:annotation>
    </xsd:enumeration>
    <xsd:enumeration value="10210">
        <xsd:annotation>
            <xsd:documentation xml:lang="en">
                <ccts:CodeName>10210</ccts:CodeName>
                <ccts:CodeDescription>Warrnambool City Council</ccts:CodeDescription>
            </xsd:documentation>
        </xsd:annotation>
    </xsd:enumeration>

```

```

</xsd:enumeration>
<xsd:enumeration value="10220">
  <xsd:annotation>
    <xsd:documentation xml:lang="en">
      <ccts:CodeName>10220</ccts:CodeName>
      <ccts:CodeDescription>Glenleg Shire Council</ccts:CodeDescription>
    </xsd:documentation>
  </xsd:annotation>
</xsd:enumeration>
<xsd:enumeration value="10244">
  <xsd:annotation>
    <xsd:documentation xml:lang="en">
      <ccts:CodeName>10244</ccts:CodeName>
      <ccts:CodeDescription>South Gippsland Shire
Council</ccts:CodeDescription>
    </xsd:documentation>
  </xsd:annotation>
</xsd:enumeration>
<xsd:enumeration value="10279">
  <xsd:annotation>
    <xsd:documentation xml:lang="en">
      <ccts:CodeName>10279</ccts:CodeName>
      <ccts:CodeDescription>Campaspe Shire Council</ccts:CodeDescription>
    </xsd:documentation>
  </xsd:annotation>
</xsd:enumeration>
<xsd:enumeration value="10281">
  <xsd:annotation>
    <xsd:documentation xml:lang="en">
      <ccts:CodeName>10281</ccts:CodeName>
      <ccts:CodeDescription>Greater Bendigo City
Council</ccts:CodeDescription>
    </xsd:documentation>
  </xsd:annotation>
</xsd:enumeration>
<xsd:enumeration value="10391">
  <xsd:annotation>
    <xsd:documentation xml:lang="en">
      <ccts:CodeName>10391</ccts:CodeName>
      <ccts:CodeDescription>Moorabool Shire Council</ccts:CodeDescription>
    </xsd:documentation>
  </xsd:annotation>
</xsd:enumeration>
<xsd:enumeration value="10393">
  <xsd:annotation>
    <xsd:documentation xml:lang="en">
      <ccts:CodeName>10393</ccts:CodeName>
      <ccts:CodeDescription>Banyule City Council</ccts:CodeDescription>
    </xsd:documentation>
  </xsd:annotation>
</xsd:enumeration>
<xsd:enumeration value="10394">
  <xsd:annotation>
    <xsd:documentation xml:lang="en">
      <ccts:CodeName>10394</ccts:CodeName>
      <ccts:CodeDescription>City of Darebin</ccts:CodeDescription>
    </xsd:documentation>
  </xsd:annotation>
</xsd:enumeration>
<xsd:enumeration value="10395">
  <xsd:annotation>
    <xsd:documentation xml:lang="en">
      <ccts:CodeName>10395</ccts:CodeName>
      <ccts:CodeDescription>Hume City Council</ccts:CodeDescription>
    </xsd:documentation>
  </xsd:annotation>
</xsd:enumeration>
<xsd:enumeration value="10396">
  <xsd:annotation>
    <xsd:documentation xml:lang="en">
      <ccts:CodeName>10396</ccts:CodeName>
      <ccts:CodeDescription>Moreland City Council</ccts:CodeDescription>
    </xsd:documentation>
  </xsd:annotation>
</xsd:enumeration>
<xsd:enumeration value="10414">
  <xsd:annotation>
    <xsd:documentation xml:lang="en">
      <ccts:CodeName>10414</ccts:CodeName>

```

```

        <ccts:CodeDescription>Shire of Indigo</ccts:CodeDescription>
      </xsd:documentation>
    </xsd:annotation>
  </xsd:enumeration>
  <xsd:enumeration value="2768">
    <xsd:annotation>
      <xsd:documentation xml:lang="en">
        <ccts:CodeName>2768</ccts:CodeName>
        <ccts:CodeDescription>Brimbank City Council</ccts:CodeDescription>
      </xsd:documentation>
    </xsd:annotation>
  </xsd:enumeration>
  <xsd:enumeration value="2769">
    <xsd:annotation>
      <xsd:documentation xml:lang="en">
        <ccts:CodeName>2769</ccts:CodeName>
        <ccts:CodeDescription>Buloke City Council</ccts:CodeDescription>
      </xsd:documentation>
    </xsd:annotation>
  </xsd:enumeration>
  <xsd:enumeration value="2771">
    <xsd:annotation>
      <xsd:documentation xml:lang="en">
        <ccts:CodeName>2771</ccts:CodeName>
        <ccts:CodeDescription>Cardinia Shire Council</ccts:CodeDescription>
      </xsd:documentation>
    </xsd:annotation>
  </xsd:enumeration>
  <xsd:enumeration value="2772">
    <xsd:annotation>
      <xsd:documentation xml:lang="en">
        <ccts:CodeName>2772</ccts:CodeName>
        <ccts:CodeDescription>Casey City Council</ccts:CodeDescription>
      </xsd:documentation>
    </xsd:annotation>
  </xsd:enumeration>
  <xsd:enumeration value="2773">
    <xsd:annotation>
      <xsd:documentation xml:lang="en">
        <ccts:CodeName>2773</ccts:CodeName>
        <ccts:CodeDescription>Central Goldfields Shire
Council</ccts:CodeDescription>
      </xsd:documentation>
    </xsd:annotation>
  </xsd:enumeration>
  <xsd:enumeration value="2776">
    <xsd:annotation>
      <xsd:documentation xml:lang="en">
        <ccts:CodeName>2776</ccts:CodeName>
        <ccts:CodeDescription>East Gippsland Shire
Council</ccts:CodeDescription>
      </xsd:documentation>
    </xsd:annotation>
  </xsd:enumeration>
  <xsd:enumeration value="2777">
    <xsd:annotation>
      <xsd:documentation xml:lang="en">
        <ccts:CodeName>2777</ccts:CodeName>
        <ccts:CodeDescription>Gannawarra Shire
Council</ccts:CodeDescription>
      </xsd:documentation>
    </xsd:annotation>
  </xsd:enumeration>
  <xsd:enumeration value="2778">
    <xsd:annotation>
      <xsd:documentation xml:lang="en">
        <ccts:CodeName>2778</ccts:CodeName>
        <ccts:CodeDescription>Glen Eira City Council</ccts:CodeDescription>
      </xsd:documentation>
    </xsd:annotation>
  </xsd:enumeration>
  <xsd:enumeration value="2779">
    <xsd:annotation>
      <xsd:documentation xml:lang="en">
        <ccts:CodeName>2779</ccts:CodeName>
        <ccts:CodeDescription>The City of Greater
Dandenong</ccts:CodeDescription>
      </xsd:documentation>
    </xsd:annotation>
  </xsd:enumeration>

```

```

</xsd:enumeration>
<xsd:enumeration value="2791">
  <xsd:annotation>
    <xsd:documentation xml:lang="en">
      <ccts:CodeName>2791</ccts:CodeName>
      <ccts:CodeDescription>City of Manningham</ccts:CodeDescription>
    </xsd:documentation>
  </xsd:annotation>
</xsd:enumeration>
<xsd:enumeration value="2792">
  <xsd:annotation>
    <xsd:documentation xml:lang="en">
      <ccts:CodeName>2792</ccts:CodeName>
      <ccts:CodeDescription>Maribyrnong</ccts:CodeDescription>
    </xsd:documentation>
  </xsd:annotation>
</xsd:enumeration>
<xsd:enumeration value="2793">
  <xsd:annotation>
    <xsd:documentation xml:lang="en">
      <ccts:CodeName>2793</ccts:CodeName>
      <ccts:CodeDescription>City of Maroondah</ccts:CodeDescription>
    </xsd:documentation>
  </xsd:annotation>
</xsd:enumeration>
<xsd:enumeration value="2795">
  <xsd:annotation>
    <xsd:documentation xml:lang="en">
      <ccts:CodeName>2795</ccts:CodeName>
      <ccts:CodeDescription>Mitchell Shire Council</ccts:CodeDescription>
    </xsd:documentation>
  </xsd:annotation>
</xsd:enumeration>
<xsd:enumeration value="2796">
  <xsd:annotation>
    <xsd:documentation xml:lang="en">
      <ccts:CodeName>2796</ccts:CodeName>
      <ccts:CodeDescription>Moira Shire Council</ccts:CodeDescription>
    </xsd:documentation>
  </xsd:annotation>
</xsd:enumeration>
<xsd:enumeration value="2797">
  <xsd:annotation>
    <xsd:documentation xml:lang="en">
      <ccts:CodeName>2797</ccts:CodeName>
      <ccts:CodeDescription>Monash City Council</ccts:CodeDescription>
    </xsd:documentation>
  </xsd:annotation>
</xsd:enumeration>
<xsd:enumeration value="2798">
  <xsd:annotation>
    <xsd:documentation xml:lang="en">
      <ccts:CodeName>2798</ccts:CodeName>
      <ccts:CodeDescription>Moonee Valley City
Council</ccts:CodeDescription>
    </xsd:documentation>
  </xsd:annotation>
</xsd:enumeration>
<xsd:enumeration value="2800">
  <xsd:annotation>
    <xsd:documentation xml:lang="en">
      <ccts:CodeName>2800</ccts:CodeName>
      <ccts:CodeDescription>Mount Alexander Shire
Council</ccts:CodeDescription>
    </xsd:documentation>
  </xsd:annotation>
</xsd:enumeration>
<xsd:enumeration value="2802">
  <xsd:annotation>
    <xsd:documentation xml:lang="en">
      <ccts:CodeName>2802</ccts:CodeName>
      <ccts:CodeDescription>Nillumbik Shire Council</ccts:CodeDescription>
    </xsd:documentation>
  </xsd:annotation>
</xsd:enumeration>
<xsd:enumeration value="2812">
  <xsd:annotation>
    <xsd:documentation xml:lang="en">
      <ccts:CodeName>2812</ccts:CodeName>
    </xsd:documentation>
  </xsd:annotation>
</xsd:enumeration>

```

```

        <ccts:CodeDescription>Whittlesea City Council</ccts:CodeDescription>
      </xsd:documentation>
    </xsd:annotation>
  </xsd:enumeration>
  <xsd:enumeration value="2814">
    <xsd:annotation>
      <xsd:documentation xml:lang="en">
        <ccts:CodeName>2814</ccts:CodeName>
        <ccts:CodeDescription>Wyndham City Council</ccts:CodeDescription>
      </xsd:documentation>
    </xsd:annotation>
  </xsd:enumeration>
  <xsd:enumeration value="2815">
    <xsd:annotation>
      <xsd:documentation xml:lang="en">
        <ccts:CodeName>2815</ccts:CodeName>
        <ccts:CodeDescription>Yarra City Council</ccts:CodeDescription>
      </xsd:documentation>
    </xsd:annotation>
  </xsd:enumeration>
  <xsd:enumeration value="2816">
    <xsd:annotation>
      <xsd:documentation xml:lang="en">
        <ccts:CodeName>2816</ccts:CodeName>
        <ccts:CodeDescription>Shire of Yarra Ranges</ccts:CodeDescription>
      </xsd:documentation>
    </xsd:annotation>
  </xsd:enumeration>
  <xsd:enumeration value="2817">
    <xsd:annotation>
      <xsd:documentation xml:lang="en">
        <ccts:CodeName>2817</ccts:CodeName>
        <ccts:CodeDescription>Yarriambiack Shire
Council</ccts:CodeDescription>
      </xsd:documentation>
    </xsd:annotation>
  </xsd:enumeration>
  <xsd:enumeration value="6031">
    <xsd:annotation>
      <xsd:documentation xml:lang="en">
        <ccts:CodeName>6031</ccts:CodeName>
        <ccts:CodeDescription>Ararat Rural City Council</ccts:CodeDescription>
      </xsd:documentation>
    </xsd:annotation>
  </xsd:enumeration>
  <xsd:enumeration value="6076">
    <xsd:annotation>
      <xsd:documentation xml:lang="en">
        <ccts:CodeName>6076</ccts:CodeName>
        <ccts:CodeDescription>Bass Coast Chire Council</ccts:CodeDescription>
      </xsd:documentation>
    </xsd:annotation>
  </xsd:enumeration>
  <xsd:enumeration value="6305">
    <xsd:annotation>
      <xsd:documentation xml:lang="en">
        <ccts:CodeName>6305</ccts:CodeName>
        <ccts:CodeDescription>Frankston City Council</ccts:CodeDescription>
      </xsd:documentation>
    </xsd:annotation>
  </xsd:enumeration>
  <xsd:enumeration value="6402">
    <xsd:annotation>
      <xsd:documentation xml:lang="en">
        <ccts:CodeName>6402</ccts:CodeName>
        <ccts:CodeDescription>Knox City Council</ccts:CodeDescription>
      </xsd:documentation>
    </xsd:annotation>
  </xsd:enumeration>
  <xsd:enumeration value="10415">
    <xsd:annotation>
      <xsd:documentation xml:lang="en">
        <ccts:CodeName>10415</ccts:CodeName>
        <ccts:CodeDescription>Murrindindi</ccts:CodeDescription>
      </xsd:documentation>
    </xsd:annotation>
  </xsd:enumeration>
  <xsd:enumeration value="10416">
    <xsd:annotation>

```

```

        <xsd:documentation xml:lang="en">
            <ccts:CodeName>10416</ccts:CodeName>
            <ccts:CodeDescription>Wodonga City Council</ccts:CodeDescription>
        </xsd:documentation>
    </xsd:annotation>
</xsd:enumeration>
<xsd:enumeration value="12117">
    <xsd:annotation>
        <xsd:documentation xml:lang="en">
            <ccts:CodeName>12117</ccts:CodeName>
            <ccts:CodeDescription>Benalla Rural City Council</ccts:CodeDescription>
        </xsd:documentation>
    </xsd:annotation>
</xsd:enumeration>
<xsd:enumeration value="12118">
    <xsd:annotation>
        <xsd:documentation xml:lang="en">
            <ccts:CodeName>12118</ccts:CodeName>
            <ccts:CodeDescription>Mansfield Shire Council</ccts:CodeDescription>
        </xsd:documentation>
    </xsd:annotation>
</xsd:enumeration>
</xsd:restriction>
</xsd:simpleType>
<xsd:simpleType name="DataCollectionTypeType">
    <xsd:restriction base="xsd:token">
        <xsd:enumeration value="FOODFS">
            <xsd:annotation>
                <xsd:documentation xml:lang="en">
                    <ccts:CodeName>FOODFS</ccts:CodeName>
                    <ccts:CodeDescription>Food Sampling</ccts:CodeDescription>
                </xsd:documentation>
            </xsd:annotation>
        </xsd:enumeration>
        <xsd:enumeration value="FOODPR">
            <xsd:annotation>
                <xsd:documentation xml:lang="en">
                    <ccts:CodeName>FOODPR</ccts:CodeName>
                    <ccts:CodeDescription>Food Sampling</ccts:CodeDescription>
                </xsd:documentation>
            </xsd:annotation>
        </xsd:enumeration>
    </xsd:restriction>
</xsd:simpleType>
<xsd:simpleType name="EnforcementActionTypeType">
    <xsd:restriction base="xsd:token">
        <xsd:enumeration value="10">
            <xsd:annotation>
                <xsd:documentation xml:lang="en">
                    <ccts:CodeName>10</ccts:CodeName>
                    <ccts:CodeDescription>Food safety direction
powers</ccts:CodeDescription>
                </xsd:documentation>
            </xsd:annotation>
        </xsd:enumeration>
        <xsd:enumeration value="11">
            <xsd:annotation>
                <xsd:documentation xml:lang="en">
                    <ccts:CodeName>11</ccts:CodeName>
                    <ccts:CodeDescription>Notice Section 19 (2)
Order</ccts:CodeDescription>
                </xsd:documentation>
            </xsd:annotation>
        </xsd:enumeration>
        <xsd:enumeration value="12">
            <xsd:annotation>
                <xsd:documentation xml:lang="en">
                    <ccts:CodeName>12</ccts:CodeName>
                    <ccts:CodeDescription>Section 19 (3) Closure
order</ccts:CodeDescription>
                </xsd:documentation>
            </xsd:annotation>
        </xsd:enumeration>
        <xsd:enumeration value="13">
            <xsd:annotation>
                <xsd:documentation xml:lang="en">
                    <ccts:CodeName>13</ccts:CodeName>
                    <ccts:CodeDescription>Section 19 A (Food Vending machines and other
equipments)</ccts:CodeDescription>
            </xsd:annotation>
        </xsd:enumeration>
    </xsd:restriction>
</xsd:simpleType>

```

```

        </xsd:documentation>
      </xsd:annotation>
    </xsd:enumeration>
  <xsd:enumeration value="14">
    <xsd:annotation>
      <xsd:documentation xml:lang="en">
        <ccts:CodeName>14</ccts:CodeName>
        <ccts:CodeDescription>Section 19 B (Unclean food
handlers)</ccts:CodeDescription>
      </xsd:documentation>
    </xsd:annotation>
  </xsd:enumeration>
  <xsd:enumeration value="16">
    <xsd:annotation>
      <xsd:documentation xml:lang="en">
        <ccts:CodeName>16</ccts:CodeName>
        <ccts:CodeDescription>Seizure</ccts:CodeDescription>
      </xsd:documentation>
    </xsd:annotation>
  </xsd:enumeration>
  <xsd:enumeration value="17">
    <xsd:annotation>
      <xsd:documentation xml:lang="en">
        <ccts:CodeName>17</ccts:CodeName>
        <ccts:CodeDescription>Revocation or suspension of
registration</ccts:CodeDescription>
      </xsd:documentation>
    </xsd:annotation>
  </xsd:enumeration>
  <xsd:enumeration value="18">
    <xsd:annotation>
      <xsd:documentation xml:lang="en">
        <ccts:CodeName>18</ccts:CodeName>
        <ccts:CodeDescription>Undertaking proceeding</ccts:CodeDescription>
      </xsd:documentation>
    </xsd:annotation>
  </xsd:enumeration>
  <xsd:enumeration value="71">
    <xsd:annotation>
      <xsd:documentation xml:lang="en">
        <ccts:CodeName>71</ccts:CodeName>
        <ccts:CodeDescription>Prosecution- Handling and sale of unsafe
food</ccts:CodeDescription>
      </xsd:documentation>
    </xsd:annotation>
  </xsd:enumeration>
  <xsd:enumeration value="68">
    <xsd:annotation>
      <xsd:documentation xml:lang="en">
        <ccts:CodeName>68</ccts:CodeName>
        <ccts:CodeDescription>Prosecution - Handling Food in an unsafe
manner</ccts:CodeDescription>
      </xsd:documentation>
    </xsd:annotation>
  </xsd:enumeration>
  <xsd:enumeration value="69">
    <xsd:annotation>
      <xsd:documentation xml:lang="en">
        <ccts:CodeName>69</ccts:CodeName>
        <ccts:CodeDescription>Prosecution – Knowingly selling unsafe
food</ccts:CodeDescription>
      </xsd:documentation>
    </xsd:annotation>
  </xsd:enumeration>
  <xsd:enumeration value="70">
    <xsd:annotation>
      <xsd:documentation xml:lang="en">
        <ccts:CodeName>70</ccts:CodeName>
        <ccts:CodeDescription>Prosecution- Knowingly falsely describing
food</ccts:CodeDescription>
      </xsd:documentation>
    </xsd:annotation>
  </xsd:enumeration>
  <xsd:enumeration value="72">
    <xsd:annotation>
      <xsd:documentation xml:lang="en">
        <ccts:CodeName>72</ccts:CodeName>
        <ccts:CodeDescription>Prosecution- Handling and sale of unsuitable
food</ccts:CodeDescription>
      </xsd:documentation>
    </xsd:annotation>
  </xsd:enumeration>

```

```

        </xsd:documentation>
      </xsd:annotation>
    </xsd:enumeration>
  <xsd:enumeration value="19">
    <xsd:annotation>
      <xsd:documentation xml:lang="en">
        <ccts:CodeName>19</ccts:CodeName>
        <ccts:CodeDescription>Section 19H - Audit/Assessment
Frequency</ccts:CodeDescription>
      </xsd:documentation>
    </xsd:annotation>
  </xsd:enumeration>
  <xsd:enumeration value="20">
    <xsd:annotation>
      <xsd:documentation xml:lang="en">
        <ccts:CodeName>20</ccts:CodeName>
        <ccts:CodeDescription>Offence S16(1) contravention with FSC 3.2.2
Clause - 5(2)(a)</ccts:CodeDescription>
      </xsd:documentation>
    </xsd:annotation>
  </xsd:enumeration>
  <xsd:enumeration value="21">
    <xsd:annotation>
      <xsd:documentation xml:lang="en">
        <ccts:CodeName>21</ccts:CodeName>
        <ccts:CodeDescription>Offence S16(1) contravention with FSC 3.2.2
Clause - S5(2)(b)</ccts:CodeDescription>
      </xsd:documentation>
    </xsd:annotation>
  </xsd:enumeration>
  <xsd:enumeration value="22">
    <xsd:annotation>
      <xsd:documentation xml:lang="en">
        <ccts:CodeName>22</ccts:CodeName>
        <ccts:CodeDescription>Offence S16(1) contravention with FSC 3.2.2
Clause - 6(1)(a)</ccts:CodeDescription>
      </xsd:documentation>
    </xsd:annotation>
  </xsd:enumeration>
  <xsd:enumeration value="23">
    <xsd:annotation>
      <xsd:documentation xml:lang="en">
        <ccts:CodeName>23</ccts:CodeName>
        <ccts:CodeDescription>Offence S16(1) contravention with FSC 3.2.2
Clause - 6(2)</ccts:CodeDescription>
      </xsd:documentation>
    </xsd:annotation>
  </xsd:enumeration>
  <xsd:enumeration value="24">
    <xsd:annotation>
      <xsd:documentation xml:lang="en">
        <ccts:CodeName>24</ccts:CodeName>
        <ccts:CodeDescription>Offence S16(1) contravention with FSC 3.2.2
Clause 7(1)(b)</ccts:CodeDescription>
      </xsd:documentation>
    </xsd:annotation>
  </xsd:enumeration>
  <xsd:enumeration value="25">
    <xsd:annotation>
      <xsd:documentation xml:lang="en">
        <ccts:CodeName>25</ccts:CodeName>
        <ccts:CodeDescription>Offence S16(1) contravention with FSC 3.2.2
Clause 7(2)</ccts:CodeDescription>
      </xsd:documentation>
    </xsd:annotation>
  </xsd:enumeration>
  <xsd:enumeration value="26">
    <xsd:annotation>
      <xsd:documentation xml:lang="en">
        <ccts:CodeName>26</ccts:CodeName>
        <ccts:CodeDescription>Offence S16(1) contravention with FSC 3.2.2
Clause -8(1)</ccts:CodeDescription>
      </xsd:documentation>
    </xsd:annotation>
  </xsd:enumeration>
  <xsd:enumeration value="27">
    <xsd:annotation>
      <xsd:documentation xml:lang="en">
        <ccts:CodeName>27</ccts:CodeName>

```



```

                <ccts:CodeDescription>Offence S16(1) contravention with FSC 3.2.2
Clause -8(2)(b)</ccts:CodeDescription>
                </xsd:documentation>
                </xsd:annotation>
            </xsd:enumeration>
        <xsd:enumeration value="28">
            <xsd:annotation>
                <xsd:documentation xml:lang="en">
                    <ccts:CodeName>28</ccts:CodeName>
                    <ccts:CodeDescription>Offence S16(1) contravention with FSC 3.2.2
Clause -8(2)(c)</ccts:CodeDescription>
                </xsd:documentation>
                </xsd:annotation>
            </xsd:enumeration>
        <xsd:enumeration value="29">
            <xsd:annotation>
                <xsd:documentation xml:lang="en">
                    <ccts:CodeName>29</ccts:CodeName>
                    <ccts:CodeDescription>Offence S16(1) contravention with FSC 3.2.2
Clause - 8(4)</ccts:CodeDescription>
                </xsd:documentation>
                </xsd:annotation>
            </xsd:enumeration>
        <xsd:enumeration value="30">
            <xsd:annotation>
                <xsd:documentation xml:lang="en">
                    <ccts:CodeName>30</ccts:CodeName>
                    <ccts:CodeDescription>Offence S16(1) contravention with FSC 3.2.2
Clause - 8(5)(a)</ccts:CodeDescription>
                </xsd:documentation>
                </xsd:annotation>
            </xsd:enumeration>
        <xsd:enumeration value="31">
            <xsd:annotation>
                <xsd:documentation xml:lang="en">
                    <ccts:CodeName>31</ccts:CodeName>
                    <ccts:CodeDescription>Offence S16(1) contravention with FSC 3.2.2
Clause -8(5)(b)</ccts:CodeDescription>
                </xsd:documentation>
                </xsd:annotation>
            </xsd:enumeration>
        <xsd:enumeration value="32">
            <xsd:annotation>
                <xsd:documentation xml:lang="en">
                    <ccts:CodeName>32</ccts:CodeName>
                    <ccts:CodeDescription>Offence S16(1) contravention with FSC 3.2.2
Clause -10(b)</ccts:CodeDescription>
                </xsd:documentation>
                </xsd:annotation>
            </xsd:enumeration>
        <xsd:enumeration value="33">
            <xsd:annotation>
                <xsd:documentation xml:lang="en">
                    <ccts:CodeName>33</ccts:CodeName>
                    <ccts:CodeDescription>Offence S16(1) contravention with FSC 3.2.2
Clause -10(c)</ccts:CodeDescription>
                </xsd:documentation>
                </xsd:annotation>
            </xsd:enumeration>
        <xsd:enumeration value="34">
            <xsd:annotation>
                <xsd:documentation xml:lang="en">
                    <ccts:CodeName>34</ccts:CodeName>
                    <ccts:CodeDescription>Offence S16(1) contravention with FSC 3.2.2
Clause - 11(3)</ccts:CodeDescription>
                </xsd:documentation>
                </xsd:annotation>
            </xsd:enumeration>
        <xsd:enumeration value="35">
            <xsd:annotation>
                <xsd:documentation xml:lang="en">
                    <ccts:CodeName>35</ccts:CodeName>
                    <ccts:CodeDescription>Offence S16(1) contravention with FSC 3.2.2
Clause -11(4)</ccts:CodeDescription>
                </xsd:documentation>
                </xsd:annotation>
            </xsd:enumeration>
        <xsd:enumeration value="36">
            <xsd:annotation>

```

```

        <xsd:documentation xml:lang="en">
            <ccts:CodeName>36</ccts:CodeName>
            <ccts:CodeDescription>Offence S16(1) contravention with FSC 3.2.2
Clause -12</ccts:CodeDescription>
        </xsd:documentation>
    </xsd:annotation>
</xsd:enumeration>
<xsd:enumeration value="37">
    <xsd:annotation>
        <xsd:documentation xml:lang="en">
            <ccts:CodeName>37</ccts:CodeName>
            <ccts:CodeDescription>Offence S16(1) contravention with FSC 3.2.2
Clause -16(3)</ccts:CodeDescription>
        </xsd:documentation>
    </xsd:annotation>
</xsd:enumeration>
<xsd:enumeration value="38">
    <xsd:annotation>
        <xsd:documentation xml:lang="en">
            <ccts:CodeName>38</ccts:CodeName>
            <ccts:CodeDescription>Offence S16(1) contravention with FSC 3.2.2
Clause - 17</ccts:CodeDescription>
        </xsd:documentation>
    </xsd:annotation>
</xsd:enumeration>
<xsd:enumeration value="39">
    <xsd:annotation>
        <xsd:documentation xml:lang="en">
            <ccts:CodeName>39</ccts:CodeName>
            <ccts:CodeDescription>Offence S16(1) contravention with FSC 3.2.2
Clause - 19</ccts:CodeDescription>
        </xsd:documentation>
    </xsd:annotation>
</xsd:enumeration>
<xsd:enumeration value="40">
    <xsd:annotation>
        <xsd:documentation xml:lang="en">
            <ccts:CodeName>40</ccts:CodeName>
            <ccts:CodeDescription>Offence S16(1) contravention with FSC 3.2.2
Clause - 20(1)</ccts:CodeDescription>
        </xsd:documentation>
    </xsd:annotation>
</xsd:enumeration>
<xsd:enumeration value="41">
    <xsd:annotation>
        <xsd:documentation xml:lang="en">
            <ccts:CodeName>41</ccts:CodeName>
            <ccts:CodeDescription>Offence S16(1) contravention with FSC 3.2.2
Clause - 21(2)</ccts:CodeDescription>
        </xsd:documentation>
    </xsd:annotation>
</xsd:enumeration>
<xsd:enumeration value="42">
    <xsd:annotation>
        <xsd:documentation xml:lang="en">
            <ccts:CodeName>42</ccts:CodeName>
            <ccts:CodeDescription>Offence S16(1) contravention with FSC 3.2.2
Clause - 22(a)</ccts:CodeDescription>
        </xsd:documentation>
    </xsd:annotation>
</xsd:enumeration>
<xsd:enumeration value="43">
    <xsd:annotation>
        <xsd:documentation xml:lang="en">
            <ccts:CodeName>43</ccts:CodeName>
            <ccts:CodeDescription>Offence S16(1) contravention with FSC 3.2.2
Clause - 23(b)(ii)</ccts:CodeDescription>
        </xsd:documentation>
    </xsd:annotation>
</xsd:enumeration>
<xsd:enumeration value="44">
    <xsd:annotation>
        <xsd:documentation xml:lang="en">
            <ccts:CodeName>44</ccts:CodeName>
            <ccts:CodeDescription>Offence S16(1) contravention with FSC 3.2.2
Clause - 24(1)(a)</ccts:CodeDescription>
        </xsd:documentation>
    </xsd:annotation>
</xsd:enumeration>

```

```

    <xsd:enumeration value="45">
      <xsd:annotation>
        <xsd:documentation xml:lang="en">
          <ccts:CodeName>45</ccts:CodeName>
          <ccts:CodeDescription>Offence S16(1) contravention with FSC 3.2.2
Clause -24(1)(b)</ccts:CodeDescription>
        </xsd:documentation>
      </xsd:annotation>
    </xsd:enumeration>
    <xsd:enumeration value="46">
      <xsd:annotation>
        <xsd:documentation xml:lang="en">
          <ccts:CodeName>46</ccts:CodeName>
          <ccts:CodeDescription>Offence S16(1) contravention with FSC 3.2.3
clause-4(2)</ccts:CodeDescription>
        </xsd:documentation>
      </xsd:annotation>
    </xsd:enumeration>
    <xsd:enumeration value="47">
      <xsd:annotation>
        <xsd:documentation xml:lang="en">
          <ccts:CodeName>47</ccts:CodeName>
          <ccts:CodeDescription>Offence S16(1) contravention with FSC 3.2.3
clause-5(a)</ccts:CodeDescription>
        </xsd:documentation>
      </xsd:annotation>
    </xsd:enumeration>
    <xsd:enumeration value="49">
      <xsd:annotation>
        <xsd:documentation xml:lang="en">
          <ccts:CodeName>49</ccts:CodeName>
          <ccts:CodeDescription>Offence S16(1) contravention with FSC 3.2.3
clause-6(b)</ccts:CodeDescription>
        </xsd:documentation>
      </xsd:annotation>
    </xsd:enumeration>
    <xsd:enumeration value="50">
      <xsd:annotation>
        <xsd:documentation xml:lang="en">
          <ccts:CodeName>50</ccts:CodeName>
          <ccts:CodeDescription>Offence S16(1) contravention with FSC 3.2.3
clause 10(2)(a)</ccts:CodeDescription>
        </xsd:documentation>
      </xsd:annotation>
    </xsd:enumeration>
    <xsd:enumeration value="51">
      <xsd:annotation>
        <xsd:documentation xml:lang="en">
          <ccts:CodeName>51</ccts:CodeName>
          <ccts:CodeDescription>Offence S16(1) contravention with FSC 3.2.3
clause 10(2)(b)</ccts:CodeDescription>
        </xsd:documentation>
      </xsd:annotation>
    </xsd:enumeration>
    <xsd:enumeration value="48">
      <xsd:annotation>
        <xsd:documentation xml:lang="en">
          <ccts:CodeName>48</ccts:CodeName>
          <ccts:CodeDescription>Offence S16(1) contravention with FSC 3.2.3
clause-6(a)</ccts:CodeDescription>
        </xsd:documentation>
      </xsd:annotation>
    </xsd:enumeration>
    <xsd:enumeration value="52">
      <xsd:annotation>
        <xsd:documentation xml:lang="en">
          <ccts:CodeName>52</ccts:CodeName>
          <ccts:CodeDescription>Offence S16(1) contravention with FSC 3.2.3
clause 10(2)(c)</ccts:CodeDescription>
        </xsd:documentation>
      </xsd:annotation>
    </xsd:enumeration>
    <xsd:enumeration value="53">
      <xsd:annotation>
        <xsd:documentation xml:lang="en">
          <ccts:CodeName>53</ccts:CodeName>
          <ccts:CodeDescription>Offence S16(1) contravention with FSC 3.2.3
clause 11(4)(a)</ccts:CodeDescription>
        </xsd:documentation>
      </xsd:annotation>
    </xsd:enumeration>

```

```

        </xsd:annotation>
      </xsd:enumeration>
    <xsd:enumeration value="54">
      <xsd:annotation>
        <xsd:documentation xml:lang="en">
          <ccts:CodeName>54</ccts:CodeName>
          <ccts:CodeDescription>Offence S16(1) contravention with FSC 3.2.3
        </xsd:documentation>
      </xsd:annotation>
    </xsd:enumeration>
  </xsd:enumeration>
</xsd:enumeration value="54">
<xsd:enumeration value="55">
  <xsd:annotation>
    <xsd:documentation xml:lang="en">
      <ccts:CodeName>55</ccts:CodeName>
      <ccts:CodeDescription>Offence S16(1) contravention with FSC 3.2.3
    </xsd:documentation>
  </xsd:annotation>
</xsd:enumeration>
</xsd:enumeration value="55">
<xsd:enumeration value="56">
  <xsd:annotation>
    <xsd:documentation xml:lang="en">
      <ccts:CodeName>56</ccts:CodeName>
      <ccts:CodeDescription>Offence S16(1) contravention with FSC 3.2.3
    </xsd:documentation>
  </xsd:annotation>
</xsd:enumeration>
</xsd:enumeration value="56">
<xsd:enumeration value="57">
  <xsd:annotation>
    <xsd:documentation xml:lang="en">
      <ccts:CodeName>57</ccts:CodeName>
      <ccts:CodeDescription>Offence S16(1) contravention with FSC 3.2.3
    </xsd:documentation>
  </xsd:annotation>
</xsd:enumeration>
</xsd:enumeration value="57">
<xsd:enumeration value="58">
  <xsd:annotation>
    <xsd:documentation xml:lang="en">
      <ccts:CodeName>58</ccts:CodeName>
      <ccts:CodeDescription>Offence S16(1) contravention with FSC 3.2.3
    </xsd:documentation>
  </xsd:annotation>
</xsd:enumeration>
</xsd:enumeration value="58">
<xsd:enumeration value="59">
  <xsd:annotation>
    <xsd:documentation xml:lang="en">
      <ccts:CodeName>59</ccts:CodeName>
      <ccts:CodeDescription>Offence S16(1) contravention with FSC 3.2.3
    </xsd:documentation>
  </xsd:annotation>
</xsd:enumeration>
</xsd:enumeration value="59">
<xsd:enumeration value="60">
  <xsd:annotation>
    <xsd:documentation xml:lang="en">
      <ccts:CodeName>60</ccts:CodeName>
      <ccts:CodeDescription>Offence S16(1) contravention with FSC 3.2.3
    </xsd:documentation>
  </xsd:annotation>
</xsd:enumeration>
</xsd:enumeration value="60">
<xsd:enumeration value="61">
  <xsd:annotation>
    <xsd:documentation xml:lang="en">
      <ccts:CodeName>61</ccts:CodeName>
      <ccts:CodeDescription>Offence S17 Food Act</ccts:CodeDescription>
    </xsd:documentation>
  </xsd:annotation>
</xsd:enumeration>
</xsd:enumeration value="61">
<xsd:enumeration value="62">
  <xsd:annotation>
    <xsd:documentation xml:lang="en">
      <ccts:CodeName>62</ccts:CodeName>
      <ccts:CodeDescription>PIN Offence S19BB(5) Food
    </xsd:documentation>
  </xsd:annotation>
</xsd:enumeration>
</xsd:enumeration value="62">
Act</ccts:CodeDescription>

```

```

        </xsd:documentation>
      </xsd:annotation>
    </xsd:enumeration>
    <xsd:enumeration value="63">
      <xsd:annotation>
        <xsd:documentation xml:lang="en">
          <ccts:CodeName>63</ccts:CodeName>
          <ccts:CodeDescription>Offence S19EB Food Act</ccts:CodeDescription>
        </xsd:documentation>
      </xsd:annotation>
    </xsd:enumeration>
    <xsd:enumeration value="64">
      <xsd:annotation>
        <xsd:documentation xml:lang="en">
          <ccts:CodeName>64</ccts:CodeName>
          <ccts:CodeDescription>Offence S Section 19GB Food
Act</ccts:CodeDescription>
        </xsd:documentation>
      </xsd:annotation>
    </xsd:enumeration>
    <xsd:enumeration value="65">
      <xsd:annotation>
        <xsd:documentation xml:lang="en">
          <ccts:CodeName>65</ccts:CodeName>
          <ccts:CodeDescription>Offence Section 35A(1) Food
Act</ccts:CodeDescription>
        </xsd:documentation>
      </xsd:annotation>
    </xsd:enumeration>
    <xsd:enumeration value="66">
      <xsd:annotation>
        <xsd:documentation xml:lang="en">
          <ccts:CodeName>66</ccts:CodeName>
          <ccts:CodeDescription>Offence Section 35A(2) Food
Act</ccts:CodeDescription>
        </xsd:documentation>
      </xsd:annotation>
    </xsd:enumeration>
    <xsd:enumeration value="67">
      <xsd:annotation>
        <xsd:documentation xml:lang="en">
          <ccts:CodeName>67</ccts:CodeName>
          <ccts:CodeDescription>Offence S 35A(3) Food
Act</ccts:CodeDescription>
        </xsd:documentation>
      </xsd:annotation>
    </xsd:enumeration>
    <xsd:enumeration value="73">
      <xsd:annotation>
        <xsd:documentation xml:lang="en">
          <ccts:CodeName>73</ccts:CodeName>
          <ccts:CodeDescription>Prosecution- Misleading conduct relating to sale of
food</ccts:CodeDescription>
        </xsd:documentation>
      </xsd:annotation>
    </xsd:enumeration>
    <xsd:enumeration value="74">
      <xsd:annotation>
        <xsd:documentation xml:lang="en">
          <ccts:CodeName>74</ccts:CodeName>
          <ccts:CodeDescription>Prosecution-Sale of food not complying with
purchaser's demand</ccts:CodeDescription>
        </xsd:documentation>
      </xsd:annotation>
    </xsd:enumeration>
    <xsd:enumeration value="75">
      <xsd:annotation>
        <xsd:documentation xml:lang="en">
          <ccts:CodeName>75</ccts:CodeName>
          <ccts:CodeDescription>Prosecution- Sale of unfit equipment or packaging
or labelling material</ccts:CodeDescription>
        </xsd:documentation>
      </xsd:annotation>
    </xsd:enumeration>
    <xsd:enumeration value="76">
      <xsd:annotation>
        <xsd:documentation xml:lang="en">
          <ccts:CodeName>76</ccts:CodeName>

```

```

Codes</ccts:CodeDescription>
    <ccts:CodeDescription>Prosecution-compliance with Food Standard
    </xsd:documentation>
    </xsd:annotation>
  </xsd:enumeration>
</xsd:enumeration>
<xsd:enumeration value="77">
  <xsd:annotation>
    <xsd:documentation xml:lang="en">
      <ccts:CodeName>77</ccts:CodeName>
      <ccts:CodeDescription>Prosecution -others</ccts:CodeDescription>
    </xsd:documentation>
  </xsd:annotation>
</xsd:enumeration>
</xsd:restriction>
</xsd:simpleType>
<xsd:simpleType name="EnforcementTypeType">
  <xsd:restriction base="xsd:token">
    <xsd:enumeration value="10">
      <xsd:annotation>
        <xsd:documentation xml:lang="en">
          <ccts:CodeName>10</ccts:CodeName>
          <ccts:CodeDescription>General Enforcement
Action</ccts:CodeDescription>
        </xsd:documentation>
      </xsd:annotation>
    </xsd:enumeration>
  </xsd:restriction>
</xsd:simpleType>
<xsd:simpleType name="FoodRecallInvestigationTypeType">
  <xsd:restriction base="xsd:token">
    <xsd:enumeration value="10">
      <xsd:annotation>
        <xsd:documentation xml:lang="en">
          <ccts:CodeName>10</ccts:CodeName>
          <ccts:CodeDescription>On site visit</ccts:CodeDescription>
        </xsd:documentation>
      </xsd:annotation>
    </xsd:enumeration>
    <xsd:enumeration value="11">
      <xsd:annotation>
        <xsd:documentation xml:lang="en">
          <ccts:CodeName>11</ccts:CodeName>
          <ccts:CodeDescription>Verbal Notification</ccts:CodeDescription>
        </xsd:documentation>
      </xsd:annotation>
    </xsd:enumeration>
    <xsd:enumeration value="12">
      <xsd:annotation>
        <xsd:documentation xml:lang="en">
          <ccts:CodeName>12</ccts:CodeName>
          <ccts:CodeDescription>Written Notification</ccts:CodeDescription>
        </xsd:documentation>
      </xsd:annotation>
    </xsd:enumeration>
  </xsd:restriction>
</xsd:simpleType>
<xsd:simpleType name="FoodSafetyProgramTypeType">
  <xsd:restriction base="xsd:token">
    <xsd:enumeration value="10">
      <xsd:annotation>
        <xsd:documentation xml:lang="en">
          <ccts:CodeName>10</ccts:CodeName>
          <ccts:CodeDescription>DHS FSP Templates</ccts:CodeDescription>

```

```

        </xsd:documentation>
      </xsd:annotation>
    </xsd:enumeration>
  <xsd:enumeration value="11">
    <xsd:annotation>
      <xsd:documentation xml:lang="en">
        <ccts:CodeName>11</ccts:CodeName>
        <ccts:CodeDescription>Other DHS registered FSP
templates</ccts:CodeDescription>
      </xsd:documentation>
    </xsd:annotation>
  </xsd:enumeration>
  <xsd:enumeration value="12">
    <xsd:annotation>
      <xsd:documentation xml:lang="en">
        <ccts:CodeName>12</ccts:CodeName>
        <ccts:CodeDescription>Proprietary FSPs</ccts:CodeDescription>
      </xsd:documentation>
    </xsd:annotation>
  </xsd:enumeration>
  <xsd:enumeration value="13">
    <xsd:annotation>
      <xsd:documentation xml:lang="en">
        <ccts:CodeName>13</ccts:CodeName>
        <ccts:CodeDescription>Section 19DD-Other non standard
FSP</ccts:CodeDescription>
      </xsd:documentation>
    </xsd:annotation>
  </xsd:enumeration>
</xsd:restriction>
</xsd:simpleType>
<xsd:simpleType name="IngredientTypeType">
  <xsd:restriction base="xsd:token">
    <xsd:enumeration value="10101110">
      <xsd:annotation>
        <xsd:documentation xml:lang="en">
          <ccts:CodeName>10101110</ccts:CodeName>
          <ccts:CodeDescription>Contains Meat</ccts:CodeDescription>
        </xsd:documentation>
      </xsd:annotation>
    </xsd:enumeration>
    <xsd:enumeration value="10101111">
      <xsd:annotation>
        <xsd:documentation xml:lang="en">
          <ccts:CodeName>10101111</ccts:CodeName>
          <ccts:CodeDescription>Contains Fish Or Seafood</ccts:CodeDescription>
        </xsd:documentation>
      </xsd:annotation>
    </xsd:enumeration>
    <xsd:enumeration value="10101112">
      <xsd:annotation>
        <xsd:documentation xml:lang="en">
          <ccts:CodeName>10101112</ccts:CodeName>
          <ccts:CodeDescription>Contains Vegetables</ccts:CodeDescription>
        </xsd:documentation>
      </xsd:annotation>
    </xsd:enumeration>
    <xsd:enumeration value="10101113">
      <xsd:annotation>
        <xsd:documentation xml:lang="en">
          <ccts:CodeName>10101113</ccts:CodeName>
          <ccts:CodeDescription>Contains Salad</ccts:CodeDescription>
        </xsd:documentation>
      </xsd:annotation>
    </xsd:enumeration>
    <xsd:enumeration value="10101114">
      <xsd:annotation>
        <xsd:documentation xml:lang="en">
          <ccts:CodeName>10101114</ccts:CodeName>
          <ccts:CodeDescription>Contains Pasta</ccts:CodeDescription>
        </xsd:documentation>
      </xsd:annotation>
    </xsd:enumeration>
    <xsd:enumeration value="10101115">
      <xsd:annotation>
        <xsd:documentation xml:lang="en">
          <ccts:CodeName>10101115</ccts:CodeName>
          <ccts:CodeDescription>Contains Rice</ccts:CodeDescription>
        </xsd:documentation>
      </xsd:annotation>
    </xsd:enumeration>
  </xsd:restriction>
</xsd:simpleType>

```

```

        </xsd:annotation>
</xsd:enumeration>
<xsd:enumeration value="10101116">
  <xsd:annotation>
    <xsd:documentation xml:lang="en">
      <ccts:CodeName>10101116</ccts:CodeName>
      <ccts:CodeDescription>Contains Dairy</ccts:CodeDescription>
    </xsd:documentation>
  </xsd:annotation>
</xsd:enumeration>
<xsd:enumeration value="10101117">
  <xsd:annotation>
    <xsd:documentation xml:lang="en">
      <ccts:CodeName>10101117</ccts:CodeName>
      <ccts:CodeDescription>Contains Raw Egg</ccts:CodeDescription>
    </xsd:documentation>
  </xsd:annotation>
</xsd:enumeration>
<xsd:enumeration value="10111110">
  <xsd:annotation>
    <xsd:documentation xml:lang="en">
      <ccts:CodeName>10111110</ccts:CodeName>
      <ccts:CodeDescription>Fruit Or Vegetable Juice</ccts:CodeDescription>
    </xsd:documentation>
  </xsd:annotation>
</xsd:enumeration>
<xsd:enumeration value="10111111">
  <xsd:annotation>
    <xsd:documentation xml:lang="en">
      <ccts:CodeName>10111111</ccts:CodeName>
      <ccts:CodeDescription>Brewed Soft Drinks</ccts:CodeDescription>
    </xsd:documentation>
  </xsd:annotation>
</xsd:enumeration>
<xsd:enumeration value="10111112">
  <xsd:annotation>
    <xsd:documentation xml:lang="en">
      <ccts:CodeName>10111112</ccts:CodeName>
      <ccts:CodeDescription>Electrolyte Drinks</ccts:CodeDescription>
    </xsd:documentation>
  </xsd:annotation>
</xsd:enumeration>
<xsd:enumeration value="10111113">
  <xsd:annotation>
    <xsd:documentation xml:lang="en">
      <ccts:CodeName>10111113</ccts:CodeName>
      <ccts:CodeDescription>Formulated Caffeine
Drinks</ccts:CodeDescription>
    </xsd:documentation>
  </xsd:annotation>
</xsd:enumeration>
<xsd:enumeration value="10111114">
  <xsd:annotation>
    <xsd:documentation xml:lang="en">
      <ccts:CodeName>10111114</ccts:CodeName>
      <ccts:CodeDescription>Alcoholic Beverages</ccts:CodeDescription>
    </xsd:documentation>
  </xsd:annotation>
</xsd:enumeration>
<xsd:enumeration value="10121110">
  <xsd:annotation>
    <xsd:documentation xml:lang="en">
      <ccts:CodeName>10121110</ccts:CodeName>
      <ccts:CodeDescription>Shelf Stable</ccts:CodeDescription>
    </xsd:documentation>
  </xsd:annotation>
</xsd:enumeration>
<xsd:enumeration value="10121111">
  <xsd:annotation>
    <xsd:documentation xml:lang="en">
      <ccts:CodeName>10121111</ccts:CodeName>
      <ccts:CodeDescription>Temperature Controlled</ccts:CodeDescription>
    </xsd:documentation>
  </xsd:annotation>
</xsd:enumeration>
<xsd:enumeration value="10131110">
  <xsd:annotation>
    <xsd:documentation xml:lang="en">
      <ccts:CodeName>10131110</ccts:CodeName>

```



```

        <ccts:CodeDescription>From Pasteurised Milk</ccts:CodeDescription>
      </xsd:documentation>
    </xsd:annotation>
  </xsd:enumeration>
  <xsd:enumeration value="10131111">
    <xsd:annotation>
      <xsd:documentation xml:lang="en">
        <ccts:CodeName>10131111</ccts:CodeName>
        <ccts:CodeDescription>From Raw Milk</ccts:CodeDescription>
      </xsd:documentation>
    </xsd:annotation>
  </xsd:enumeration>
  <xsd:enumeration value="10141110">
    <xsd:annotation>
      <xsd:documentation xml:lang="en">
        <ccts:CodeName>10141110</ccts:CodeName>
        <ccts:CodeDescription>Roast</ccts:CodeDescription>
      </xsd:documentation>
    </xsd:annotation>
  </xsd:enumeration>
  <xsd:enumeration value="10141111">
    <xsd:annotation>
      <xsd:documentation xml:lang="en">
        <ccts:CodeName>10141111</ccts:CodeName>
        <ccts:CodeDescription>Chinese Style Roast Pork</ccts:CodeDescription>
      </xsd:documentation>
    </xsd:annotation>
  </xsd:enumeration>
  <xsd:enumeration value="10141112">
    <xsd:annotation>
      <xsd:documentation xml:lang="en">
        <ccts:CodeName>10141112</ccts:CodeName>
        <ccts:CodeDescription>Chinese Style Roast Duck</ccts:CodeDescription>
      </xsd:documentation>
    </xsd:annotation>
  </xsd:enumeration>
  <xsd:enumeration value="10141113">
    <xsd:annotation>
      <xsd:documentation xml:lang="en">
        <ccts:CodeName>10141113</ccts:CodeName>
        <ccts:CodeDescription>Chinese Style Roas
tChicken</ccts:CodeDescription>
      </xsd:documentation>
    </xsd:annotation>
  </xsd:enumeration>
  <xsd:enumeration value="10151110">
    <xsd:annotation>
      <xsd:documentation xml:lang="en">
        <ccts:CodeName>10151110</ccts:CodeName>
        <ccts:CodeDescription>Cooked</ccts:CodeDescription>
      </xsd:documentation>
    </xsd:annotation>
  </xsd:enumeration>
  <xsd:enumeration value="10151111">
    <xsd:annotation>
      <xsd:documentation xml:lang="en">
        <ccts:CodeName>10151111</ccts:CodeName>
        <ccts:CodeDescription>Uncooked</ccts:CodeDescription>
      </xsd:documentation>
    </xsd:annotation>
  </xsd:enumeration>
  <xsd:enumeration value="10151112">
    <xsd:annotation>
      <xsd:documentation xml:lang="en">
        <ccts:CodeName>10151112</ccts:CodeName>
        <ccts:CodeDescription>Marinated</ccts:CodeDescription>
      </xsd:documentation>
    </xsd:annotation>
  </xsd:enumeration>
  <xsd:enumeration value="10161110">
    <xsd:annotation>
      <xsd:documentation xml:lang="en">
        <ccts:CodeName>10161110</ccts:CodeName>
        <ccts:CodeDescription>Shell</ccts:CodeDescription>
      </xsd:documentation>
    </xsd:annotation>
  </xsd:enumeration>
  <xsd:enumeration value="10161111">
    <xsd:annotation>

```

```

        <xsd:documentation xml:lang="en">
            <ccts:CodeName>10161111</ccts:CodeName>
            <ccts:CodeDescription>Cooked</ccts:CodeDescription>
        </xsd:documentation>
    </xsd:annotation>
</xsd:enumeration>
<xsd:enumeration value="10161112">
    <xsd:annotation>
        <xsd:documentation xml:lang="en">
            <ccts:CodeName>10161112</ccts:CodeName>
            <ccts:CodeDescription>Preserved</ccts:CodeDescription>
        </xsd:documentation>
    </xsd:annotation>
</xsd:enumeration>
<xsd:enumeration value="10161113">
    <xsd:annotation>
        <xsd:documentation xml:lang="en">
            <ccts:CodeName>10161113</ccts:CodeName>
            <ccts:CodeDescription>Sauces</ccts:CodeDescription>
        </xsd:documentation>
    </xsd:annotation>
</xsd:enumeration>
<xsd:enumeration value="10161114">
    <xsd:annotation>
        <xsd:documentation xml:lang="en">
            <ccts:CodeName>10161114</ccts:CodeName>
            <ccts:CodeDescription>Sauces</ccts:CodeDescription>
        </xsd:documentation>
    </xsd:annotation>
</xsd:enumeration>
<xsd:enumeration value="10161115">
    <xsd:annotation>
        <xsd:documentation xml:lang="en">
            <ccts:CodeName>10161115</ccts:CodeName>
            <ccts:CodeDescription>Pasteurised</ccts:CodeDescription>
        </xsd:documentation>
    </xsd:annotation>
</xsd:enumeration>
<xsd:enumeration value="10171110">
    <xsd:annotation>
        <xsd:documentation xml:lang="en">
            <ccts:CodeName>10171110</ccts:CodeName>
            <ccts:CodeDescription>Production Surfaces</ccts:CodeDescription>
        </xsd:documentation>
    </xsd:annotation>
</xsd:enumeration>
<xsd:enumeration value="10171111">
    <xsd:annotation>
        <xsd:documentation xml:lang="en">
            <ccts:CodeName>10171111</ccts:CodeName>
            <ccts:CodeDescription>SlicersOrKnives</ccts:CodeDescription>
        </xsd:documentation>
    </xsd:annotation>
</xsd:enumeration>
<xsd:enumeration value="10171199">
    <xsd:annotation>
        <xsd:documentation xml:lang="en">
            <ccts:CodeName>10171199</ccts:CodeName>
            <ccts:CodeDescription>Other</ccts:CodeDescription>
        </xsd:documentation>
    </xsd:annotation>
</xsd:enumeration>
<xsd:enumeration value="10181110">
    <xsd:annotation>
        <xsd:documentation xml:lang="en">
            <ccts:CodeName>10181110</ccts:CodeName>
            <ccts:CodeDescription>Raw Peeled Cut</ccts:CodeDescription>
        </xsd:documentation>
    </xsd:annotation>
</xsd:enumeration>
<xsd:enumeration value="10181111">
    <xsd:annotation>
        <xsd:documentation xml:lang="en">
            <ccts:CodeName>10181111</ccts:CodeName>
            <ccts:CodeDescription>Surface Treated</ccts:CodeDescription>
        </xsd:documentation>
    </xsd:annotation>
</xsd:enumeration>
<xsd:enumeration value="10181112">

```

```

        <xsd:documentation xml:lang="en">
          <xsd:documentation xml:lang="en">
            <ccts:CodeName>10181112</ccts:CodeName>
            <ccts:CodeDescription>Cooked</ccts:CodeDescription>
          </xsd:documentation>
        </xsd:documentation>
      </xsd:enumeration>
    <xsd:enumeration value="10191110">
      <xsd:documentation xml:lang="en">
        <xsd:documentation xml:lang="en">
          <ccts:CodeName>10191110</ccts:CodeName>
          <ccts:CodeDescription>Dried</ccts:CodeDescription>
        </xsd:documentation>
      </xsd:documentation>
    </xsd:enumeration>
    <xsd:enumeration value="10191111">
      <xsd:documentation xml:lang="en">
        <xsd:documentation xml:lang="en">
          <ccts:CodeName>10191111</ccts:CodeName>
          <ccts:CodeDescription>Fresh</ccts:CodeDescription>
        </xsd:documentation>
      </xsd:documentation>
    </xsd:enumeration>
    <xsd:enumeration value="10201110">
      <xsd:documentation xml:lang="en">
        <xsd:documentation xml:lang="en">
          <ccts:CodeName>10201110</ccts:CodeName>
          <ccts:CodeDescription>Raw</ccts:CodeDescription>
        </xsd:documentation>
      </xsd:documentation>
    </xsd:enumeration>
    <xsd:enumeration value="10201111">
      <xsd:documentation xml:lang="en">
        <xsd:documentation xml:lang="en">
          <ccts:CodeName>10201111</ccts:CodeName>
          <ccts:CodeDescription>Dried Or Processed</ccts:CodeDescription>
        </xsd:documentation>
      </xsd:documentation>
    </xsd:enumeration>
    <xsd:enumeration value="10211110">
      <xsd:documentation xml:lang="en">
        <xsd:documentation xml:lang="en">
          <ccts:CodeName>10211110</ccts:CodeName>
          <ccts:CodeDescription>Fermented Comminuted
Uncooked</ccts:CodeDescription>
        </xsd:documentation>
      </xsd:documentation>
    </xsd:enumeration>
    <xsd:enumeration value="10211111">
      <xsd:documentation xml:lang="en">
        <xsd:documentation xml:lang="en">
          <ccts:CodeName>10211111</ccts:CodeName>
          <ccts:CodeDescription>Pickled Or Cured</ccts:CodeDescription>
        </xsd:documentation>
      </xsd:documentation>
    </xsd:enumeration>
    <xsd:enumeration value="10211112">
      <xsd:documentation xml:lang="en">
        <xsd:documentation xml:lang="en">
          <ccts:CodeName>10211112</ccts:CodeName>
          <ccts:CodeDescription>Sausages</ccts:CodeDescription>
        </xsd:documentation>
      </xsd:documentation>
    </xsd:enumeration>
    <xsd:enumeration value="10221110">
      <xsd:documentation xml:lang="en">
        <xsd:documentation xml:lang="en">
          <ccts:CodeName>10221110</ccts:CodeName>
          <ccts:CodeDescription>Milk??</ccts:CodeDescription>
        </xsd:documentation>
      </xsd:documentation>
    </xsd:enumeration>
    <xsd:enumeration value="10231110">
      <xsd:documentation xml:lang="en">
        <xsd:documentation xml:lang="en">
          <ccts:CodeName>10231110</ccts:CodeName>
          <ccts:CodeDescription>Dried</ccts:CodeDescription>
        </xsd:documentation>
      </xsd:documentation>
    </xsd:enumeration>
  </xsd:enumeration>

```

```

</xsd:enumeration>
<xsd:enumeration value="10231111">
  <xsd:annotation>
    <xsd:documentation xml:lang="en">
      <ccts:CodeName>10231111</ccts:CodeName>
      <ccts:CodeDescription>Filled</ccts:CodeDescription>
    </xsd:documentation>
  </xsd:annotation>
</xsd:enumeration>
<xsd:enumeration value="10231112">
  <xsd:annotation>
    <xsd:documentation xml:lang="en">
      <ccts:CodeName>10231112</ccts:CodeName>
      <ccts:CodeDescription>Fresh</ccts:CodeDescription>
    </xsd:documentation>
  </xsd:annotation>
</xsd:enumeration>
<xsd:enumeration value="10241110">
  <xsd:annotation>
    <xsd:documentation xml:lang="en">
      <ccts:CodeName>10241110</ccts:CodeName>
      <ccts:CodeDescription>Groundwater</ccts:CodeDescription>
    </xsd:documentation>
  </xsd:annotation>
</xsd:enumeration>
<xsd:enumeration value="10241111">
  <xsd:annotation>
    <xsd:documentation xml:lang="en">
      <ccts:CodeName>10241111</ccts:CodeName>
      <ccts:CodeDescription>Surfacewater</ccts:CodeDescription>
    </xsd:documentation>
  </xsd:annotation>
</xsd:enumeration>
<xsd:enumeration value="10241112">
  <xsd:annotation>
    <xsd:documentation xml:lang="en">
      <ccts:CodeName>10241112</ccts:CodeName>
      <ccts:CodeDescription>Rainwater</ccts:CodeDescription>
    </xsd:documentation>
  </xsd:annotation>
</xsd:enumeration>
<xsd:enumeration value="10251110">
  <xsd:annotation>
    <xsd:documentation xml:lang="en">
      <ccts:CodeName>10251110</ccts:CodeName>
      <ccts:CodeDescription>Red Meat</ccts:CodeDescription>
    </xsd:documentation>
  </xsd:annotation>
</xsd:enumeration>
<xsd:enumeration value="10251111">
  <xsd:annotation>
    <xsd:documentation xml:lang="en">
      <ccts:CodeName>10251111</ccts:CodeName>
      <ccts:CodeDescription>Poultry</ccts:CodeDescription>
    </xsd:documentation>
  </xsd:annotation>
</xsd:enumeration>
<xsd:enumeration value="10251112">
  <xsd:annotation>
    <xsd:documentation xml:lang="en">
      <ccts:CodeName>10251112</ccts:CodeName>
      <ccts:CodeDescription>Whole Cuts</ccts:CodeDescription>
    </xsd:documentation>
  </xsd:annotation>
</xsd:enumeration>
<xsd:enumeration value="10251113">
  <xsd:annotation>
    <xsd:documentation xml:lang="en">
      <ccts:CodeName>10251113</ccts:CodeName>
      <ccts:CodeDescription>Minced</ccts:CodeDescription>
    </xsd:documentation>
  </xsd:annotation>
</xsd:enumeration>
<xsd:enumeration value="10261110">
  <xsd:annotation>
    <xsd:documentation xml:lang="en">
      <ccts:CodeName>10261110</ccts:CodeName>
      <ccts:CodeDescription>Infant Formula</ccts:CodeDescription>
    </xsd:documentation>
  </xsd:annotation>

```

```

        </xsd:annotation>
      </xsd:enumeration>
    <xsd:enumeration value="10261111">
      <xsd:annotation>
        <xsd:documentation xml:lang="en">
          <ccts:CodeName>10261111</ccts:CodeName>
          <ccts:CodeDescription>Vitamised Meals</ccts:CodeDescription>
        </xsd:documentation>
      </xsd:annotation>
    </xsd:enumeration>
  </xsd:restriction>
</xsd:simpleType>
<xsd:simpleType name="InspectionOutcomeTypeType">
  <xsd:restriction base="xsd:token">
    <xsd:enumeration value="13">
      <xsd:annotation>
        <xsd:documentation xml:lang="en">
          <ccts:CodeName>13</ccts:CodeName>
          <ccts:CodeDescription>Paid - Infringement Notice</ccts:CodeDescription>
        </xsd:documentation>
      </xsd:annotation>
    </xsd:enumeration>
    <xsd:enumeration value="14">
      <xsd:annotation>
        <xsd:documentation xml:lang="en">
          <ccts:CodeName>14</ccts:CodeName>
          <ccts:CodeDescription>Withdrawn/Cancelled</ccts:CodeDescription>
        </xsd:documentation>
      </xsd:annotation>
    </xsd:enumeration>
    <xsd:enumeration value="10">
      <xsd:annotation>
        <xsd:documentation xml:lang="en">
          <ccts:CodeName>10</ccts:CodeName>
          <ccts:CodeDescription>Satisfactory</ccts:CodeDescription>
        </xsd:documentation>
      </xsd:annotation>
    </xsd:enumeration>
    <xsd:enumeration value="11">
      <xsd:annotation>
        <xsd:documentation xml:lang="en">
          <ccts:CodeName>11</ccts:CodeName>
          <ccts:CodeDescription>Major non compliance</ccts:CodeDescription>
        </xsd:documentation>
      </xsd:annotation>
    </xsd:enumeration>
    <xsd:enumeration value="12">
      <xsd:annotation>
        <xsd:documentation xml:lang="en">
          <ccts:CodeName>12</ccts:CodeName>
          <ccts:CodeDescription>Critical non compliance</ccts:CodeDescription>
        </xsd:documentation>
      </xsd:annotation>
    </xsd:enumeration>
    <xsd:enumeration value="15">
      <xsd:annotation>
        <xsd:documentation xml:lang="en">
          <ccts:CodeName>15</ccts:CodeName>
          <ccts:CodeDescription>Unpaid enforcement under the Infringement
Act</ccts:CodeDescription>
        </xsd:documentation>
      </xsd:annotation>
    </xsd:enumeration>
  </xsd:restriction>
</xsd:simpleType>
<xsd:simpleType name="InspectionTypeType">
  <xsd:restriction base="xsd:token">
    <xsd:enumeration value="1210">
      <xsd:annotation>
        <xsd:documentation xml:lang="en">
          <ccts:CodeName>1210</ccts:CodeName>
          <ccts:CodeDescription>Routine Inspection</ccts:CodeDescription>
        </xsd:documentation>
      </xsd:annotation>
    </xsd:enumeration>
    <xsd:enumeration value="1211">
      <xsd:annotation>
        <xsd:documentation xml:lang="en">
          <ccts:CodeName>1211</ccts:CodeName>

```

```

        <ccts:CodeDescription>Mandatory inspection</ccts:CodeDescription>
      </xsd:documentation>
    </xsd:annotation>
  </xsd:enumeration>
  <xsd:enumeration value="1212">
    <xsd:annotation>
      <xsd:documentation xml:lang="en">
        <ccts:CodeName>1212</ccts:CodeName>
        <ccts:CodeDescription>Non-compliance inspection/ follow up to Council
audit</ccts:CodeDescription>
      </xsd:documentation>
    </xsd:annotation>
  </xsd:enumeration>
  <xsd:enumeration value="1213">
    <xsd:annotation>
      <xsd:documentation xml:lang="en">
        <ccts:CodeName>1213</ccts:CodeName>
        <ccts:CodeDescription>Food complaint inspection - food adulteration
(foreign object)</ccts:CodeDescription>
      </xsd:documentation>
    </xsd:annotation>
  </xsd:enumeration>
  <xsd:enumeration value="1214">
    <xsd:annotation>
      <xsd:documentation xml:lang="en">
        <ccts:CodeName>1214</ccts:CodeName>
        <ccts:CodeDescription>Food complaint inspection- Microbiological
</ccts:CodeDescription>
      </xsd:documentation>
    </xsd:annotation>
  </xsd:enumeration>
  <xsd:enumeration value="1215">
    <xsd:annotation>
      <xsd:documentation xml:lang="en">
        <ccts:CodeName>1215</ccts:CodeName>
        <ccts:CodeDescription>Food complaint inspection- Chemical
Adulteration</ccts:CodeDescription>
      </xsd:documentation>
    </xsd:annotation>
  </xsd:enumeration>
  <xsd:enumeration value="1216">
    <xsd:annotation>
      <xsd:documentation xml:lang="en">
        <ccts:CodeName>1216</ccts:CodeName>
        <ccts:CodeDescription>Food complaint inspection- Food Premises
Related</ccts:CodeDescription>
      </xsd:documentation>
    </xsd:annotation>
  </xsd:enumeration>
  <xsd:enumeration value="1217">
    <xsd:annotation>
      <xsd:documentation xml:lang="en">
        <ccts:CodeName>1217</ccts:CodeName>
        <ccts:CodeDescription>Food poisoning inspection</ccts:CodeDescription>
      </xsd:documentation>
    </xsd:annotation>
  </xsd:enumeration>
  <xsd:enumeration value="1218">
    <xsd:annotation>
      <xsd:documentation xml:lang="en">
        <ccts:CodeName>1218</ccts:CodeName>
        <ccts:CodeDescription>Undertaking application</ccts:CodeDescription>
      </xsd:documentation>
    </xsd:annotation>
  </xsd:enumeration>
  <xsd:enumeration value="1219">
    <xsd:annotation>
      <xsd:documentation xml:lang="en">
        <ccts:CodeName>1219</ccts:CodeName>
        <ccts:CodeDescription>Undertaking compliance
inspection</ccts:CodeDescription>
      </xsd:documentation>
    </xsd:annotation>
  </xsd:enumeration>
  <xsd:enumeration value="1220">
    <xsd:annotation>
      <xsd:documentation xml:lang="en">
        <ccts:CodeName>1220</ccts:CodeName>
        <ccts:CodeDescription>Follow-Up Inspection</ccts:CodeDescription>

```

```

        </xsd:documentation>
      </xsd:annotation>
    </xsd:enumeration>
  </xsd:restriction>
</xsd:simpleType>
<xsd:simpleType name="LabTypeType">
  <xsd:restriction base="xsd:token">
    <xsd:enumeration value="OMIC">
      <xsd:annotation>
        <xsd:documentation xml:lang="en">
          <ccts:CodeName>OMIC</ccts:CodeName>
          <ccts:CodeDescription>OMIC Australia Pty Ltd</ccts:CodeDescription>
        </xsd:documentation>
      </xsd:annotation>
    </xsd:enumeration>
    <xsd:enumeration value="DTS">
      <xsd:annotation>
        <xsd:documentation xml:lang="en">
          <ccts:CodeName>DTS</ccts:CodeName>
          <ccts:CodeDescription>Diary Technical Services Food
Laboratory</ccts:CodeDescription>
        </xsd:documentation>
      </xsd:annotation>
    </xsd:enumeration>
    <xsd:enumeration value="NMI">
      <xsd:annotation>
        <xsd:documentation xml:lang="en">
          <ccts:CodeName>NMI</ccts:CodeName>
          <ccts:CodeDescription>National Measurement
Institute</ccts:CodeDescription>
        </xsd:documentation>
      </xsd:annotation>
    </xsd:enumeration>
    <xsd:enumeration value="MDU">
      <xsd:annotation>
        <xsd:documentation xml:lang="en">
          <ccts:CodeName>MDU</ccts:CodeName>
          <ccts:CodeDescription>Microbiological Diagnostic Unit, Public Health
Laboratory</ccts:CodeDescription>
        </xsd:documentation>
      </xsd:annotation>
    </xsd:enumeration>
  </xsd:restriction>
</xsd:simpleType>
<xsd:simpleType name="PackagingTypeType">
  <xsd:restriction base="xsd:token">
    <xsd:enumeration value="1310">
      <xsd:annotation>
        <xsd:documentation xml:lang="en">
          <ccts:CodeName>1310</ccts:CodeName>
          <ccts:CodeDescription>Pre-packaged</ccts:CodeDescription>
        </xsd:documentation>
      </xsd:annotation>
    </xsd:enumeration>
    <xsd:enumeration value="1311">
      <xsd:annotation>
        <xsd:documentation xml:lang="en">
          <ccts:CodeName>1311</ccts:CodeName>
          <ccts:CodeDescription>Unpackaged Prior To
Sampling</ccts:CodeDescription>
        </xsd:documentation>
      </xsd:annotation>
    </xsd:enumeration>
  </xsd:restriction>
</xsd:simpleType>
<xsd:simpleType name="PremisesTypeType">
  <xsd:restriction base="xsd:token">
    <xsd:enumeration value="100">
      <xsd:annotation>
        <xsd:documentation xml:lang="en">
          <ccts:CodeName>100</ccts:CodeName>
          <ccts:CodeDescription>Community Events</ccts:CodeDescription>
        </xsd:documentation>
      </xsd:annotation>
    </xsd:enumeration>
    <xsd:enumeration value="101">
      <xsd:annotation>
        <xsd:documentation xml:lang="en">
          <ccts:CodeName>101</ccts:CodeName>

```

```

                                <ccts:CodeDescription>Manufacturer - Potentially hazards
foods</ccts:CodeDescription>
                                </xsd:documentation>
                                </xsd:annotation>
                                </xsd:enumeration>
                                <xsd:enumeration value="102">
                                <xsd:annotation>
                                <xsd:documentation xml:lang="en">
                                <ccts:CodeName>102</ccts:CodeName>
                                <ccts:CodeDescription>Manufacturer - Low risk
foods</ccts:CodeDescription>
                                </xsd:documentation>
                                </xsd:annotation>
                                </xsd:enumeration>
                                <xsd:enumeration value="103">
                                <xsd:annotation>
                                <xsd:documentation xml:lang="en">
                                <ccts:CodeName>103</ccts:CodeName>
                                <ccts:CodeDescription>Bakery retailer</ccts:CodeDescription>
                                </xsd:documentation>
                                </xsd:annotation>
                                </xsd:enumeration>
                                <xsd:enumeration value="104">
                                <xsd:annotation>
                                <xsd:documentation xml:lang="en">
                                <ccts:CodeName>104</ccts:CodeName>
                                <ccts:CodeDescription>Convenience stores</ccts:CodeDescription>
                                </xsd:documentation>
                                </xsd:annotation>
                                </xsd:enumeration>
                                <xsd:enumeration value="105">
                                <xsd:annotation>
                                <xsd:documentation xml:lang="en">
                                <ccts:CodeName>105</ccts:CodeName>
                                <ccts:CodeDescription>Delicatessen</ccts:CodeDescription>
                                </xsd:documentation>
                                </xsd:annotation>
                                </xsd:enumeration>
                                <xsd:enumeration value="106">
                                <xsd:annotation>
                                <xsd:documentation xml:lang="en">
                                <ccts:CodeName>106</ccts:CodeName>
                                <ccts:CodeDescription>Green grocery</ccts:CodeDescription>
                                </xsd:documentation>
                                </xsd:annotation>
                                </xsd:enumeration>
                                <xsd:enumeration value="107">
                                <xsd:annotation>
                                <xsd:documentation xml:lang="en">
                                <ccts:CodeName>107</ccts:CodeName>
                                <ccts:CodeDescription>Home based retailer</ccts:CodeDescription>
                                </xsd:documentation>
                                </xsd:annotation>
                                </xsd:enumeration>
                                <xsd:enumeration value="108">
                                <xsd:annotation>
                                <xsd:documentation xml:lang="en">
                                <ccts:CodeName>108</ccts:CodeName>
                                <ccts:CodeDescription>Low risk packaged food
retailer</ccts:CodeDescription>
                                </xsd:documentation>
                                </xsd:annotation>
                                </xsd:enumeration>
                                <xsd:enumeration value="109">
                                <xsd:annotation>
                                <xsd:documentation xml:lang="en">
                                <ccts:CodeName>109</ccts:CodeName>
                                <ccts:CodeDescription>Nuts/herbs/spices retail</ccts:CodeDescription>
                                </xsd:documentation>
                                </xsd:annotation>
                                </xsd:enumeration>
                                <xsd:enumeration value="110">
                                <xsd:annotation>
                                <xsd:documentation xml:lang="en">
                                <ccts:CodeName>110</ccts:CodeName>
                                <ccts:CodeDescription>Pasta Retail</ccts:CodeDescription>
                                </xsd:documentation>
                                </xsd:annotation>
                                </xsd:enumeration>

```



```

<xsd:enumeration value="111">
  <xsd:annotation>
    <xsd:documentation xml:lang="en">
      <ccts:CodeName>111</ccts:CodeName>
      <ccts:CodeDescription>Supermarket</ccts:CodeDescription>
    </xsd:documentation>
  </xsd:annotation>
</xsd:enumeration>
<xsd:enumeration value="112">
  <xsd:annotation>
    <xsd:documentation xml:lang="en">
      <ccts:CodeName>112</ccts:CodeName>
      <ccts:CodeDescription>Tempoary Food Premises / Market Display /
Exhibition Stall</ccts:CodeDescription>
    </xsd:documentation>
  </xsd:annotation>
</xsd:enumeration>
<xsd:enumeration value="113">
  <xsd:annotation>
    <xsd:documentation xml:lang="en">
      <ccts:CodeName>113</ccts:CodeName>
      <ccts:CodeDescription>Vending Machine</ccts:CodeDescription>
    </xsd:documentation>
  </xsd:annotation>
</xsd:enumeration>
<xsd:enumeration value="114">
  <xsd:annotation>
    <xsd:documentation xml:lang="en">
      <ccts:CodeName>114</ccts:CodeName>
      <ccts:CodeDescription>Accomodation Getaway</ccts:CodeDescription>
    </xsd:documentation>
  </xsd:annotation>
</xsd:enumeration>
<xsd:enumeration value="115">
  <xsd:annotation>
    <xsd:documentation xml:lang="en">
      <ccts:CodeName>115</ccts:CodeName>
      <ccts:CodeDescription>Aged Care Facilities</ccts:CodeDescription>
    </xsd:documentation>
  </xsd:annotation>
</xsd:enumeration>
<xsd:enumeration value="116">
  <xsd:annotation>
    <xsd:documentation xml:lang="en">
      <ccts:CodeName>116</ccts:CodeName>
      <ccts:CodeDescription>Bar / Pub</ccts:CodeDescription>
    </xsd:documentation>
  </xsd:annotation>
</xsd:enumeration>
<xsd:enumeration value="117">
  <xsd:annotation>
    <xsd:documentation xml:lang="en">
      <ccts:CodeName>117</ccts:CodeName>
      <ccts:CodeDescription>Canteen / Camps</ccts:CodeDescription>
    </xsd:documentation>
  </xsd:annotation>
</xsd:enumeration>
<xsd:enumeration value="118">
  <xsd:annotation>
    <xsd:documentation xml:lang="en">
      <ccts:CodeName>118</ccts:CodeName>
      <ccts:CodeDescription>Cafe / Restaurant</ccts:CodeDescription>
    </xsd:documentation>
  </xsd:annotation>
</xsd:enumeration>
<xsd:enumeration value="119">
  <xsd:annotation>
    <xsd:documentation xml:lang="en">
      <ccts:CodeName>119</ccts:CodeName>
      <ccts:CodeDescription>Catering</ccts:CodeDescription>
    </xsd:documentation>
  </xsd:annotation>
</xsd:enumeration>
<xsd:enumeration value="120">
  <xsd:annotation>
    <xsd:documentation xml:lang="en">
      <ccts:CodeName>120</ccts:CodeName>
      <ccts:CodeDescription>Child Care</ccts:CodeDescription>
    </xsd:documentation>
  </xsd:annotation>
</xsd:enumeration>

```

```

        </xsd:annotation>
    </xsd:enumeration>
    <xsd:enumeration value="121">
        <xsd:annotation>
            <xsd:documentation xml:lang="en">
                <ccts:CodeName>121</ccts:CodeName>
                <ccts:CodeDescription>Club</ccts:CodeDescription>
            </xsd:documentation>
        </xsd:annotation>
    </xsd:enumeration>
    <xsd:enumeration value="122">
        <xsd:annotation>
            <xsd:documentation xml:lang="en">
                <ccts:CodeName>122</ccts:CodeName>
                <ccts:CodeDescription>Coffee and Dessert Outlet</ccts:CodeDescription>
            </xsd:documentation>
        </xsd:annotation>
    </xsd:enumeration>
    <xsd:enumeration value="123">
        <xsd:annotation>
            <xsd:documentation xml:lang="en">
                <ccts:CodeName>123</ccts:CodeName>
                <ccts:CodeDescription>Delivery meal
Organisation</ccts:CodeDescription>
            </xsd:documentation>
        </xsd:annotation>
    </xsd:enumeration>
    <xsd:enumeration value="124">
        <xsd:annotation>
            <xsd:documentation xml:lang="en">
                <ccts:CodeName>124</ccts:CodeName>
                <ccts:CodeDescription>Juice Bar</ccts:CodeDescription>
            </xsd:documentation>
        </xsd:annotation>
    </xsd:enumeration>
    <xsd:enumeration value="125">
        <xsd:annotation>
            <xsd:documentation xml:lang="en">
                <ccts:CodeName>125</ccts:CodeName>
                <ccts:CodeDescription>Hospital</ccts:CodeDescription>
            </xsd:documentation>
        </xsd:annotation>
    </xsd:enumeration>
    <xsd:enumeration value="126">
        <xsd:annotation>
            <xsd:documentation xml:lang="en">
                <ccts:CodeName>126</ccts:CodeName>
                <ccts:CodeDescription>Mobile Food Premises</ccts:CodeDescription>
            </xsd:documentation>
        </xsd:annotation>
    </xsd:enumeration>
    <xsd:enumeration value="127">
        <xsd:annotation>
            <xsd:documentation xml:lang="en">
                <ccts:CodeName>127</ccts:CodeName>
                <ccts:CodeDescription>Reception Centre</ccts:CodeDescription>
            </xsd:documentation>
        </xsd:annotation>
    </xsd:enumeration>
    <xsd:enumeration value="128">
        <xsd:annotation>
            <xsd:documentation xml:lang="en">
                <ccts:CodeName>128</ccts:CodeName>
                <ccts:CodeDescription>Take Away Foods / Fast Food Outlet /
Kiosk</ccts:CodeDescription>
            </xsd:documentation>
        </xsd:annotation>
    </xsd:enumeration>
    <xsd:enumeration value="129">
        <xsd:annotation>
            <xsd:documentation xml:lang="en">
                <ccts:CodeName>129</ccts:CodeName>
                <ccts:CodeDescription>Warehouse/Distributors/Wholesalers and
Importers</ccts:CodeDescription>
            </xsd:documentation>
        </xsd:annotation>
    </xsd:enumeration>
</xsd:restriction>
</xsd:simpleType>

```

```

<xsd:simpleType name="PreparationTypeType">
  <xsd:restriction base="xsd:token">
    <xsd:enumeration value="10101210">
      <xsd:annotation>
        <xsd:documentation xml:lang="en">
          <ccts:CodeName>10101210</ccts:CodeName>
          <ccts:CodeDescription>Ingredients Uncooked</ccts:CodeDescription>
        </xsd:documentation>
      </xsd:annotation>
    </xsd:enumeration>
    <xsd:enumeration value="10101211">
      <xsd:annotation>
        <xsd:documentation xml:lang="en">
          <ccts:CodeName>10101211</ccts:CodeName>
          <ccts:CodeDescription>Ingredients Cooked</ccts:CodeDescription>
        </xsd:documentation>
      </xsd:annotation>
    </xsd:enumeration>
    <xsd:enumeration value="10241210">
      <xsd:annotation>
        <xsd:documentation xml:lang="en">
          <ccts:CodeName>10241210</ccts:CodeName>
          <ccts:CodeDescription>Treated</ccts:CodeDescription>
        </xsd:documentation>
      </xsd:annotation>
    </xsd:enumeration>
    <xsd:enumeration value="10241211">
      <xsd:annotation>
        <xsd:documentation xml:lang="en">
          <ccts:CodeName>10241211</ccts:CodeName>
          <ccts:CodeDescription>Untreated</ccts:CodeDescription>
        </xsd:documentation>
      </xsd:annotation>
    </xsd:enumeration>
    <xsd:enumeration value="10251210">
      <xsd:annotation>
        <xsd:documentation xml:lang="en">
          <ccts:CodeName>10251210</ccts:CodeName>
          <ccts:CodeDescription>Whole Cuts</ccts:CodeDescription>
        </xsd:documentation>
      </xsd:annotation>
    </xsd:enumeration>
    <xsd:enumeration value="10251211">
      <xsd:annotation>
        <xsd:documentation xml:lang="en">
          <ccts:CodeName>10251211</ccts:CodeName>
          <ccts:CodeDescription>Minced</ccts:CodeDescription>
        </xsd:documentation>
      </xsd:annotation>
    </xsd:enumeration>
  </xsd:restriction>
</xsd:simpleType>
<xsd:simpleType name="ProsecutionTypeType">
  <xsd:restriction base="xsd:token">
    <xsd:enumeration value="71">
      <xsd:annotation>
        <xsd:documentation xml:lang="en">
          <ccts:CodeName>71</ccts:CodeName>
          <ccts:CodeDescription>Prosecution- Handling and sale of unsafe
food</ccts:CodeDescription>
        </xsd:documentation>
      </xsd:annotation>
    </xsd:enumeration>
    <xsd:enumeration value="72">
      <xsd:annotation>
        <xsd:documentation xml:lang="en">
          <ccts:CodeName>72</ccts:CodeName>
          <ccts:CodeDescription>Prosecution- Handling and sale of unsuitable
food</ccts:CodeDescription>
        </xsd:documentation>
      </xsd:annotation>
    </xsd:enumeration>
    <xsd:enumeration value="73">
      <xsd:annotation>
        <xsd:documentation xml:lang="en">
          <ccts:CodeName>73</ccts:CodeName>
          <ccts:CodeDescription>Prosecution- Misleading conduct relating to sale of
food</ccts:CodeDescription>
        </xsd:documentation>
      </xsd:annotation>
    </xsd:enumeration>
  </xsd:restriction>
</xsd:simpleType>

```

```

        </xsd:annotation>
    </xsd:enumeration>
    <xsd:enumeration value="74">
        <xsd:annotation>
            <xsd:documentation xml:lang="en">
                <ccts:CodeName>74</ccts:CodeName>
                <ccts:CodeDescription>Prosecution-Sale of food not complying with
purchaser's demand</ccts:CodeDescription>
            </xsd:documentation>
        </xsd:annotation>
    </xsd:enumeration>
    <xsd:enumeration value="75">
        <xsd:annotation>
            <xsd:documentation xml:lang="en">
                <ccts:CodeName>75</ccts:CodeName>
                <ccts:CodeDescription>Prosecution- Sale of unfit equipment or packaging
or labelling material</ccts:CodeDescription>
            </xsd:documentation>
        </xsd:annotation>
    </xsd:enumeration>
    <xsd:enumeration value="76">
        <xsd:annotation>
            <xsd:documentation xml:lang="en">
                <ccts:CodeName>76</ccts:CodeName>
                <ccts:CodeDescription>Prosecution-compliance with Food Standard
Codes</ccts:CodeDescription>
            </xsd:documentation>
        </xsd:annotation>
    </xsd:enumeration>
    <xsd:enumeration value="77">
        <xsd:annotation>
            <xsd:documentation xml:lang="en">
                <ccts:CodeName>77</ccts:CodeName>
                <ccts:CodeDescription>Prosecution -others</ccts:CodeDescription>
            </xsd:documentation>
        </xsd:annotation>
    </xsd:enumeration>
    <xsd:enumeration value="68">
        <xsd:annotation>
            <xsd:documentation xml:lang="en">
                <ccts:CodeName>68</ccts:CodeName>
                <ccts:CodeDescription>Prosecution - Handling Food in an unsafe
manner</ccts:CodeDescription>
            </xsd:documentation>
        </xsd:annotation>
    </xsd:enumeration>
    <xsd:enumeration value="69">
        <xsd:annotation>
            <xsd:documentation xml:lang="en">
                <ccts:CodeName>69</ccts:CodeName>
                <ccts:CodeDescription>Prosecution – Knowingly selling unsafe
food</ccts:CodeDescription>
            </xsd:documentation>
        </xsd:annotation>
    </xsd:enumeration>
    <xsd:enumeration value="70">
        <xsd:annotation>
            <xsd:documentation xml:lang="en">
                <ccts:CodeName>70</ccts:CodeName>
                <ccts:CodeDescription>Prosecution- Knowingly falsely describing
food</ccts:CodeDescription>
            </xsd:documentation>
        </xsd:annotation>
    </xsd:enumeration>
    <xsd:restriction base="xsd:token">
        <xsd:enumeration value="1210">
            <xsd:annotation>
                <xsd:documentation xml:lang="en">
                    <ccts:CodeName>1210</ccts:CodeName>
                    <ccts:CodeDescription>Routine Monitoring</ccts:CodeDescription>
                </xsd:documentation>
            </xsd:annotation>
        </xsd:enumeration>
        <xsd:enumeration value="1211">
            <xsd:annotation>
                <xsd:documentation xml:lang="en">

```

```

                <ccts:CodeName>1211</ccts:CodeName>
                <ccts:CodeDescription>Regional Sampling</ccts:CodeDescription>
            </xsd:documentation>
        </xsd:annotation>
    </xsd:enumeration>
    <xsd:enumeration value="1212">
        <xsd:annotation>
            <xsd:documentation xml:lang="en">
                <ccts:CodeName>1212</ccts:CodeName>
                <ccts:CodeDescription>Statewide Sampling</ccts:CodeDescription>
            </xsd:documentation>
        </xsd:annotation>
    </xsd:enumeration>
    <xsd:enumeration value="1213">
        <xsd:annotation>
            <xsd:documentation xml:lang="en">
                <ccts:CodeName>1213</ccts:CodeName>
                <ccts:CodeDescription>Complaint Sample</ccts:CodeDescription>
            </xsd:documentation>
        </xsd:annotation>
    </xsd:enumeration>
    <xsd:enumeration value="1214">
        <xsd:annotation>
            <xsd:documentation xml:lang="en">
                <ccts:CodeName>1214</ccts:CodeName>
                <ccts:CodeDescription>Follow-up Sample</ccts:CodeDescription>
            </xsd:documentation>
        </xsd:annotation>
    </xsd:enumeration>
</xsd:restriction>
</xsd:simpleType>
<xsd:simpleType name="RegistrationTypeType">
    <xsd:restriction base="xsd:token">
        <xsd:enumeration value="10">
            <xsd:annotation>
                <xsd:documentation xml:lang="en">
                    <ccts:CodeName>10</ccts:CodeName>
                    <ccts:CodeDescription>Initial Registration</ccts:CodeDescription>
                </xsd:documentation>
            </xsd:annotation>
        </xsd:enumeration>
        <xsd:enumeration value="11">
            <xsd:annotation>
                <xsd:documentation xml:lang="en">
                    <ccts:CodeName>11</ccts:CodeName>
                    <ccts:CodeDescription>Renewal Registration</ccts:CodeDescription>
                </xsd:documentation>
            </xsd:annotation>
        </xsd:enumeration>
        <xsd:enumeration value="12">
            <xsd:annotation>
                <xsd:documentation xml:lang="en">
                    <ccts:CodeName>12</ccts:CodeName>
                    <ccts:CodeDescription>Transfer Registration</ccts:CodeDescription>
                </xsd:documentation>
            </xsd:annotation>
        </xsd:enumeration>
        <xsd:enumeration value="13">
            <xsd:annotation>
                <xsd:documentation xml:lang="en">
                    <ccts:CodeName>13</ccts:CodeName>
                    <ccts:CodeDescription>Conditional Registration</ccts:CodeDescription>
                </xsd:documentation>
            </xsd:annotation>
        </xsd:enumeration>
        <xsd:enumeration value="14">
            <xsd:annotation>
                <xsd:documentation xml:lang="en">
                    <ccts:CodeName>14</ccts:CodeName>
                    <ccts:CodeDescription>Refuse renewal of
registration</ccts:CodeDescription>
                </xsd:documentation>
            </xsd:annotation>
        </xsd:enumeration>
        <xsd:enumeration value="15">
            <xsd:annotation>
                <xsd:documentation xml:lang="en">
                    <ccts:CodeName>15</ccts:CodeName>

```

```

suspended</ccts:CodeDescription>
    <ccts:CodeDescription>Registrations revoked or
    </xsd:documentation>
    </xsd:annotation>
</xsd:enumeration>
<xsd:enumeration value="19">
    <xsd:annotation>
        <xsd:documentation xml:lang="en">
            <ccts:CodeName>19</ccts:CodeName>
            <ccts:CodeDescription>Pending Registration</ccts:CodeDescription>
        </xsd:documentation>
    </xsd:annotation>
</xsd:enumeration>
<xsd:enumeration value="16">
    <xsd:annotation>
        <xsd:documentation xml:lang="en">
            <ccts:CodeName>16</ccts:CodeName>
            <ccts:CodeDescription>Notification of premises exempt from
registration</ccts:CodeDescription>
        </xsd:documentation>
    </xsd:annotation>
</xsd:enumeration>
<xsd:enumeration value="17">
    <xsd:annotation>
        <xsd:documentation xml:lang="en">
            <ccts:CodeName>17</ccts:CodeName>
            <ccts:CodeDescription>Unregistered Food
Premises</ccts:CodeDescription>
        </xsd:documentation>
    </xsd:annotation>
</xsd:enumeration>
<xsd:enumeration value="18">
    <xsd:annotation>
        <xsd:documentation xml:lang="en">
            <ccts:CodeName>18</ccts:CodeName>
            <ccts:CodeDescription>Closed by Proprietor</ccts:CodeDescription>
        </xsd:documentation>
    </xsd:annotation>
</xsd:enumeration>
</xsd:restriction>
</xsd:simpleType>
<xsd:simpleType name="ResultDetectionTypeType">
    <xsd:restriction base="xsd:token">
        <xsd:enumeration value="1701">
            <xsd:annotation>
                <xsd:documentation xml:lang="en">
                    <ccts:CodeName>1701</ccts:CodeName>
                    <ccts:CodeDescription>TBD</ccts:CodeDescription>
                </xsd:documentation>
            </xsd:annotation>
        </xsd:enumeration>
        <xsd:enumeration value="1799">
            <xsd:annotation>
                <xsd:documentation xml:lang="en">
                    <ccts:CodeName>1799</ccts:CodeName>
                    <ccts:CodeDescription>Other</ccts:CodeDescription>
                </xsd:documentation>
            </xsd:annotation>
        </xsd:enumeration>
    </xsd:restriction>
</xsd:simpleType>
<xsd:simpleType name="ResultNameTypeType">
    <xsd:restriction base="xsd:token">
        <xsd:enumeration value="TBD">
            <xsd:annotation>
                <xsd:documentation xml:lang="en">
                    <ccts:CodeName>TBD</ccts:CodeName>
                    <ccts:CodeDescription>TBD</ccts:CodeDescription>
                </xsd:documentation>
            </xsd:annotation>
        </xsd:enumeration>
    </xsd:restriction>
</xsd:simpleType>
<xsd:simpleType name="ResultOperatorTypeType">
    <xsd:restriction base="xsd:token">
        <xsd:enumeration value="1510">
            <xsd:annotation>
                <xsd:documentation xml:lang="en">
                    <ccts:CodeName>1510</ccts:CodeName>

```

```

        <ccts:CodeDescription>Equal</ccts:CodeDescription>
      </xsd:documentation>
    </xsd:annotation>
  </xsd:enumeration>
  <xsd:enumeration value="1511">
    <xsd:annotation>
      <xsd:documentation xml:lang="en">
        <ccts:CodeName>1511</ccts:CodeName>
        <ccts:CodeDescription>Less than</ccts:CodeDescription>
      </xsd:documentation>
    </xsd:annotation>
  </xsd:enumeration>
  <xsd:enumeration value="1512">
    <xsd:annotation>
      <xsd:documentation xml:lang="en">
        <ccts:CodeName>1512</ccts:CodeName>
        <ccts:CodeDescription>Greater than</ccts:CodeDescription>
      </xsd:documentation>
    </xsd:annotation>
  </xsd:enumeration>
  <xsd:enumeration value="1513">
    <xsd:annotation>
      <xsd:documentation xml:lang="en">
        <ccts:CodeName>1513</ccts:CodeName>
        <ccts:CodeDescription>Approximately</ccts:CodeDescription>
      </xsd:documentation>
    </xsd:annotation>
  </xsd:enumeration>
</xsd:restriction>
</xsd:simpleType>
<xsd:simpleType name="ResultTypeType">
  <xsd:restriction base="xsd:token">
    <xsd:enumeration value="4010">
      <xsd:annotation>
        <xsd:documentation xml:lang="en">
          <ccts:CodeName>4010</ccts:CodeName>
          <ccts:CodeDescription>Satisfactory</ccts:CodeDescription>
        </xsd:documentation>
      </xsd:annotation>
    </xsd:enumeration>
    <xsd:enumeration value="4011">
      <xsd:annotation>
        <xsd:documentation xml:lang="en">
          <ccts:CodeName>4011</ccts:CodeName>
          <ccts:CodeDescription>Unsatisfactory</ccts:CodeDescription>
        </xsd:documentation>
      </xsd:annotation>
    </xsd:enumeration>
    <xsd:enumeration value="4012">
      <xsd:annotation>
        <xsd:documentation xml:lang="en">
          <ccts:CodeName>4012</ccts:CodeName>
          <ccts:CodeDescription>Marginal</ccts:CodeDescription>
        </xsd:documentation>
      </xsd:annotation>
    </xsd:enumeration>
    <xsd:enumeration value="4013">
      <xsd:annotation>
        <xsd:documentation xml:lang="en">
          <ccts:CodeName>4013</ccts:CodeName>
          <ccts:CodeDescription>Potentially Hazardous</ccts:CodeDescription>
        </xsd:documentation>
      </xsd:annotation>
    </xsd:enumeration>
    <xsd:enumeration value="4110">
      <xsd:annotation>
        <xsd:documentation xml:lang="en">
          <ccts:CodeName>4110</ccts:CodeName>
          <ccts:CodeDescription>Pass</ccts:CodeDescription>
        </xsd:documentation>
      </xsd:annotation>
    </xsd:enumeration>
    <xsd:enumeration value="4111">
      <xsd:annotation>
        <xsd:documentation xml:lang="en">
          <ccts:CodeName>4111</ccts:CodeName>
          <ccts:CodeDescription>Fail</ccts:CodeDescription>
        </xsd:documentation>
      </xsd:annotation>
    </xsd:enumeration>
  </xsd:restriction>
</xsd:simpleType>

```

```

</xsd:enumeration>
<xsd:enumeration value="4112">
  <xsd:annotation>
    <xsd:documentation xml:lang="en">
      <ccts:CodeName>4112</ccts:CodeName>
      <ccts:CodeDescription>Hazardous</ccts:CodeDescription>
    </xsd:documentation>
  </xsd:annotation>
</xsd:enumeration>
</xsd:restriction>
</xsd:simpleType>
<xsd:simpleType name="SampleSubTypeType">
  <xsd:restriction base="xsd:token">
    <xsd:enumeration value="10101010">
      <xsd:annotation>
        <xsd:documentation xml:lang="en">
          <ccts:CodeName>10101010</ccts:CodeName>
          <ccts:CodeDescription>Sandwiches Or Rolls</ccts:CodeDescription>
        </xsd:documentation>
      </xsd:annotation>
    </xsd:enumeration>
    <xsd:enumeration value="10101011">
      <xsd:annotation>
        <xsd:documentation xml:lang="en">
          <ccts:CodeName>10101011</ccts:CodeName>
          <ccts:CodeDescription>Pies</ccts:CodeDescription>
        </xsd:documentation>
      </xsd:annotation>
    </xsd:enumeration>
    <xsd:enumeration value="10101012">
      <xsd:annotation>
        <xsd:documentation xml:lang="en">
          <ccts:CodeName>10101012</ccts:CodeName>
          <ccts:CodeDescription>Casseroles</ccts:CodeDescription>
        </xsd:documentation>
      </xsd:annotation>
    </xsd:enumeration>
    <xsd:enumeration value="10101013">
      <xsd:annotation>
        <xsd:documentation xml:lang="en">
          <ccts:CodeName>10101013</ccts:CodeName>
          <ccts:CodeDescription>Kebabs</ccts:CodeDescription>
        </xsd:documentation>
      </xsd:annotation>
    </xsd:enumeration>
    <xsd:enumeration value="10101014">
      <xsd:annotation>
        <xsd:documentation xml:lang="en">
          <ccts:CodeName>10101014</ccts:CodeName>
          <ccts:CodeDescription>Sushi</ccts:CodeDescription>
        </xsd:documentation>
      </xsd:annotation>
    </xsd:enumeration>
    <xsd:enumeration value="10101015">
      <xsd:annotation>
        <xsd:documentation xml:lang="en">
          <ccts:CodeName>10101015</ccts:CodeName>
          <ccts:CodeDescription>Dips</ccts:CodeDescription>
        </xsd:documentation>
      </xsd:annotation>
    </xsd:enumeration>
    <xsd:enumeration value="10101016">
      <xsd:annotation>
        <xsd:documentation xml:lang="en">
          <ccts:CodeName>10101016</ccts:CodeName>
          <ccts:CodeDescription>Cakes Or Pastries</ccts:CodeDescription>
        </xsd:documentation>
      </xsd:annotation>
    </xsd:enumeration>
    <xsd:enumeration value="10101017">
      <xsd:annotation>
        <xsd:documentation xml:lang="en">
          <ccts:CodeName>10101017</ccts:CodeName>
          <ccts:CodeDescription>Ice Cream Soft Serve</ccts:CodeDescription>
        </xsd:documentation>
      </xsd:annotation>
    </xsd:enumeration>
    <xsd:enumeration value="10101018">
      <xsd:annotation>

```



```

        <xsd:documentation xml:lang="en">
            <ccts:CodeName>10101018</ccts:CodeName>
            <ccts:CodeDescription>Ice Cream Scooped</ccts:CodeDescription>
        </xsd:documentation>
    </xsd:annotation>
</xsd:enumeration>
<xsd:enumeration value="10131010">
    <xsd:annotation>
        <xsd:documentation xml:lang="en">
            <ccts:CodeName>10131010</ccts:CodeName>
            <ccts:CodeDescription>Hard Cheese</ccts:CodeDescription>
        </xsd:documentation>
    </xsd:annotation>
</xsd:enumeration>
<xsd:enumeration value="10131011">
    <xsd:annotation>
        <xsd:documentation xml:lang="en">
            <ccts:CodeName>10131011</ccts:CodeName>
            <ccts:CodeDescription>Soft Cheese</ccts:CodeDescription>
        </xsd:documentation>
    </xsd:annotation>
</xsd:enumeration>
</xsd:restriction>
</xsd:simpleType>
<xsd:simpleType name="SampleTypeType">
    <xsd:restriction base="xsd:token">
        <xsd:enumeration value="1010">
            <xsd:annotation>
                <xsd:documentation xml:lang="en">
                    <ccts:CodeName>1010</ccts:CodeName>
                    <ccts:CodeDescription>Ready To Eat Food</ccts:CodeDescription>
                </xsd:documentation>
            </xsd:annotation>
        </xsd:enumeration>
        <xsd:enumeration value="1011">
            <xsd:annotation>
                <xsd:documentation xml:lang="en">
                    <ccts:CodeName>1011</ccts:CodeName>
                    <ccts:CodeDescription>Beverages</ccts:CodeDescription>
                </xsd:documentation>
            </xsd:annotation>
        </xsd:enumeration>
        <xsd:enumeration value="1012">
            <xsd:annotation>
                <xsd:documentation xml:lang="en">
                    <ccts:CodeName>1012</ccts:CodeName>
                    <ccts:CodeDescription>Bread</ccts:CodeDescription>
                </xsd:documentation>
            </xsd:annotation>
        </xsd:enumeration>
        <xsd:enumeration value="1013">
            <xsd:annotation>
                <xsd:documentation xml:lang="en">
                    <ccts:CodeName>1013</ccts:CodeName>
                    <ccts:CodeDescription>Cheese</ccts:CodeDescription>
                </xsd:documentation>
            </xsd:annotation>
        </xsd:enumeration>
        <xsd:enumeration value="1014">
            <xsd:annotation>
                <xsd:documentation xml:lang="en">
                    <ccts:CodeName>1014</ccts:CodeName>
                    <ccts:CodeDescription>Cooked Meats</ccts:CodeDescription>
                </xsd:documentation>
            </xsd:annotation>
        </xsd:enumeration>
        <xsd:enumeration value="1015">
            <xsd:annotation>
                <xsd:documentation xml:lang="en">
                    <ccts:CodeName>1015</ccts:CodeName>
                    <ccts:CodeDescription>Fish Or Shellfish</ccts:CodeDescription>
                </xsd:documentation>
            </xsd:annotation>
        </xsd:enumeration>
        <xsd:enumeration value="1016">
            <xsd:annotation>
                <xsd:documentation xml:lang="en">
                    <ccts:CodeName>1016</ccts:CodeName>
                    <ccts:CodeDescription>Eggs</ccts:CodeDescription>
                </xsd:documentation>
            </xsd:annotation>
        </xsd:enumeration>
    </xsd:restriction>
</xsd:simpleType>

```

```

        </xsd:documentation>
      </xsd:annotation>
    </xsd:enumeration>
  <xsd:enumeration value="1017">
    <xsd:annotation>
      <xsd:documentation xml:lang="en">
        <ccts:CodeName>1017</ccts:CodeName>
        <ccts:CodeDescription>Environmental Samples</ccts:CodeDescription>
      </xsd:documentation>
    </xsd:annotation>
  </xsd:enumeration>
  <xsd:enumeration value="1018">
    <xsd:annotation>
      <xsd:documentation xml:lang="en">
        <ccts:CodeName>1018</ccts:CodeName>
        <ccts:CodeDescription>Fruit Or Vegetables</ccts:CodeDescription>
      </xsd:documentation>
    </xsd:annotation>
  </xsd:enumeration>
  <xsd:enumeration value="1019">
    <xsd:annotation>
      <xsd:documentation xml:lang="en">
        <ccts:CodeName>1019</ccts:CodeName>
        <ccts:CodeDescription>Fungi</ccts:CodeDescription>
      </xsd:documentation>
    </xsd:annotation>
  </xsd:enumeration>
  <xsd:enumeration value="1020">
    <xsd:annotation>
      <xsd:documentation xml:lang="en">
        <ccts:CodeName>1020</ccts:CodeName>
        <ccts:CodeDescription>Herbs Or Spices</ccts:CodeDescription>
      </xsd:documentation>
    </xsd:annotation>
  </xsd:enumeration>
  <xsd:enumeration value="1021">
    <xsd:annotation>
      <xsd:documentation xml:lang="en">
        <ccts:CodeName>1021</ccts:CodeName>
        <ccts:CodeDescription>Manufactured Meats</ccts:CodeDescription>
      </xsd:documentation>
    </xsd:annotation>
  </xsd:enumeration>
  <xsd:enumeration value="1022">
    <xsd:annotation>
      <xsd:documentation xml:lang="en">
        <ccts:CodeName>1022</ccts:CodeName>
        <ccts:CodeDescription>Milk</ccts:CodeDescription>
      </xsd:documentation>
    </xsd:annotation>
  </xsd:enumeration>
  <xsd:enumeration value="1023">
    <xsd:annotation>
      <xsd:documentation xml:lang="en">
        <ccts:CodeName>1023</ccts:CodeName>
        <ccts:CodeDescription>Pasta</ccts:CodeDescription>
      </xsd:documentation>
    </xsd:annotation>
  </xsd:enumeration>
  <xsd:enumeration value="1024">
    <xsd:annotation>
      <xsd:documentation xml:lang="en">
        <ccts:CodeName>1024</ccts:CodeName>
        <ccts:CodeDescription>Private Water Supply Of Food
Premises</ccts:CodeDescription>
      </xsd:documentation>
    </xsd:annotation>
  </xsd:enumeration>
  <xsd:enumeration value="1025">
    <xsd:annotation>
      <xsd:documentation xml:lang="en">
        <ccts:CodeName>1025</ccts:CodeName>
        <ccts:CodeDescription>Raw Meats</ccts:CodeDescription>
      </xsd:documentation>
    </xsd:annotation>
  </xsd:enumeration>
  <xsd:enumeration value="1026">
    <xsd:annotation>
      <xsd:documentation xml:lang="en">

```

```

                <ccts:CodeName>1026</ccts:CodeName>
                <ccts:CodeDescription>Special Purpose Foods</ccts:CodeDescription>
            </xsd:documentation>
        </xsd:annotation>
    </xsd:enumeration>
</xsd:enumeration value="1099">
    <xsd:annotation>
        <xsd:documentation xml:lang="en">
            <ccts:CodeName>1099</ccts:CodeName>
            <ccts:CodeDescription>Foods Not Categorised</ccts:CodeDescription>
        </xsd:documentation>
    </xsd:annotation>
</xsd:enumeration>
</xsd:restriction>
</xsd:simpleType>
<xsd:simpleType name="StorageTypeType">
    <xsd:restriction base="xsd:token">
        <xsd:enumeration value="1410">
            <xsd:annotation>
                <xsd:documentation xml:lang="en">
                    <ccts:CodeName>1410</ccts:CodeName>
                    <ccts:CodeDescription>Stored Frozen</ccts:CodeDescription>
                </xsd:documentation>
            </xsd:annotation>
        </xsd:enumeration>
        <xsd:enumeration value="1411">
            <xsd:annotation>
                <xsd:documentation xml:lang="en">
                    <ccts:CodeName>1411</ccts:CodeName>
                    <ccts:CodeDescription>Stored Cold (&lt;5C)</ccts:CodeDescription>
                </xsd:documentation>
            </xsd:annotation>
        </xsd:enumeration>
        <xsd:enumeration value="1412">
            <xsd:annotation>
                <xsd:documentation xml:lang="en">
                    <ccts:CodeName>1412</ccts:CodeName>
                    <ccts:CodeDescription>Stored At Ambient</ccts:CodeDescription>
                </xsd:documentation>
            </xsd:annotation>
        </xsd:enumeration>
        <xsd:enumeration value="1413">
            <xsd:annotation>
                <xsd:documentation xml:lang="en">
                    <ccts:CodeName>1413</ccts:CodeName>
                    <ccts:CodeDescription>Stored Hot (&gt;60C)</ccts:CodeDescription>
                </xsd:documentation>
            </xsd:annotation>
        </xsd:enumeration>
    </xsd:restriction>
</xsd:simpleType>
<xsd:simpleType name="TestMethodTypeType">
    <xsd:restriction base="xsd:token">
        <xsd:enumeration value="TBD">
            <xsd:annotation>
                <xsd:documentation xml:lang="en">
                    <ccts:CodeName>TBD</ccts:CodeName>
                    <ccts:CodeDescription>TBD</ccts:CodeDescription>
                </xsd:documentation>
            </xsd:annotation>
        </xsd:enumeration>
    </xsd:restriction>
</xsd:simpleType>
<xsd:simpleType name="TestTypeType">
    <xsd:restriction base="xsd:token">
        <xsd:enumeration value="1110">
            <xsd:annotation>
                <xsd:documentation xml:lang="en">
                    <ccts:CodeName>1110</ccts:CodeName>
                    <ccts:CodeDescription>Microbiological</ccts:CodeDescription>
                </xsd:documentation>
            </xsd:annotation>
        </xsd:enumeration>
        <xsd:enumeration value="1111">
            <xsd:annotation>
                <xsd:documentation xml:lang="en">
                    <ccts:CodeName>1111</ccts:CodeName>
                    <ccts:CodeDescription>Chemical</ccts:CodeDescription>
                </xsd:documentation>
            </xsd:annotation>
        </xsd:enumeration>
    </xsd:restriction>
</xsd:simpleType>

```

```

        </xsd:annotation>
    </xsd:enumeration>
    <xsd:enumeration value="1112">
        <xsd:annotation>
            <xsd:documentation xml:lang="en">
                <ccts:CodeName>1112</ccts:CodeName>
                <ccts:CodeDescription>Allergens</ccts:CodeDescription>
            </xsd:documentation>
        </xsd:annotation>
    </xsd:enumeration>
    <xsd:enumeration value="1113">
        <xsd:annotation>
            <xsd:documentation xml:lang="en">
                <ccts:CodeName>1113</ccts:CodeName>
                <ccts:CodeDescription>Labelling</ccts:CodeDescription>
            </xsd:documentation>
        </xsd:annotation>
    </xsd:enumeration>
    <xsd:enumeration value="1114">
        <xsd:annotation>
            <xsd:documentation xml:lang="en">
                <ccts:CodeName>1114</ccts:CodeName>
                <ccts:CodeDescription>Physical</ccts:CodeDescription>
            </xsd:documentation>
        </xsd:annotation>
    </xsd:enumeration>
    <xsd:enumeration value="1199">
        <xsd:annotation>
            <xsd:documentation xml:lang="en">
                <ccts:CodeName>1199</ccts:CodeName>
                <ccts:CodeDescription>Other</ccts:CodeDescription>
            </xsd:documentation>
        </xsd:annotation>
    </xsd:enumeration>
</xsd:restriction>
</xsd:simpleType>
<xsd:simpleType name="UnitOfMeasurementTypeType">
    <xsd:restriction base="xsd:token">
        <xsd:enumeration value="1610">
            <xsd:annotation>
                <xsd:documentation xml:lang="en">
                    <ccts:CodeName>1610</ccts:CodeName>
                    <ccts:CodeDescription>Per gram</ccts:CodeDescription>
                </xsd:documentation>
            </xsd:annotation>
        </xsd:enumeration>
        <xsd:enumeration value="1611">
            <xsd:annotation>
                <xsd:documentation xml:lang="en">
                    <ccts:CodeName>1611</ccts:CodeName>
                    <ccts:CodeDescription>Per 25 grams</ccts:CodeDescription>
                </xsd:documentation>
            </xsd:annotation>
        </xsd:enumeration>
    </xsd:restriction>
</xsd:simpleType>
<xsd:simpleType name="VerdictTypeType">
    <xsd:restriction base="xsd:token">
        <xsd:enumeration value="12">
            <xsd:annotation>
                <xsd:documentation xml:lang="en">
                    <ccts:CodeName>12</ccts:CodeName>
                    <ccts:CodeDescription>Guilty - Conviction
recorded</ccts:CodeDescription>
                </xsd:documentation>
            </xsd:annotation>
        </xsd:enumeration>
        <xsd:enumeration value="13">
            <xsd:annotation>
                <xsd:documentation xml:lang="en">
                    <ccts:CodeName>13</ccts:CodeName>
                    <ccts:CodeDescription>Any other sentence
imposed</ccts:CodeDescription>
                </xsd:documentation>
            </xsd:annotation>
        </xsd:enumeration>
        <xsd:enumeration value="10">
            <xsd:annotation>
                <xsd:documentation xml:lang="en">

```

```

        <ccts:CodeName>10</ccts:CodeName>
        <ccts:CodeDescription>Not Guilty</ccts:CodeDescription>
    </xsd:documentation>
</xsd:annotation>
</xsd:enumeration>
<xsd:enumeration value="11">
    <xsd:annotation>
        <xsd:documentation xml:lang="en">
            <ccts:CodeName>11</ccts:CodeName>
            <ccts:CodeDescription>Guilty - No conviction
recorded</ccts:CodeDescription>
        </xsd:documentation>
    </xsd:annotation>
</xsd:enumeration>
</xsd:restriction>
</xsd:simpleType>
<xsd:simpleType name="WaterSupplyTypeType">
    <xsd:restriction base="xsd:token">
        <xsd:enumeration value="10">
            <xsd:annotation>
                <xsd:documentation xml:lang="en">
                    <ccts:CodeName>10</ccts:CodeName>
                    <ccts:CodeDescription>Public</ccts:CodeDescription>
                </xsd:documentation>
            </xsd:annotation>
        </xsd:enumeration>
        <xsd:enumeration value="11">
            <xsd:annotation>
                <xsd:documentation xml:lang="en">
                    <ccts:CodeName>11</ccts:CodeName>
                    <ccts:CodeDescription>Private</ccts:CodeDescription>
                </xsd:documentation>
            </xsd:annotation>
        </xsd:enumeration>
    </xsd:restriction>
</xsd:simpleType>
</xsd:schema>

```

Common Enumeration Schema Module

```

<?xml version="1.0"?>
<xsd:schema xmlns:enum="urn:dhs:codes:CommonTypes:0.97"
xmlns:ccts="urn:un:unece:uncefact:documentation:standard:CoreComponentsTechnicalSpecification:2"
xmlns:xsd="http://www.w3.org/2001/XMLSchema" targetNamespace="urn:dhs:codes:CommonTypes:0.97"
elementFormDefault="qualified" attributeFormDefault="unqualified" version="0.97">
    <xsd:simpleType name="CountryType">
        <xsd:restriction base="xsd:token">
            <xsd:enumeration value="AF">
                <xsd:annotation>
                    <xsd:documentation xml:lang="en">
                        <ccts:CodeName>AF</ccts:CodeName>
                        <ccts:CodeDescription/>
                    </xsd:documentation>
                </xsd:annotation>
            </xsd:enumeration>
            <xsd:enumeration value="CH">
                <xsd:annotation>
                    <xsd:documentation xml:lang="en">
                        <ccts:CodeName>CH</ccts:CodeName>
                        <ccts:CodeDescription/>
                    </xsd:documentation>
                </xsd:annotation>
            </xsd:enumeration>
            <xsd:enumeration value="EC">
                <xsd:annotation>
                    <xsd:documentation xml:lang="en">
                        <ccts:CodeName>EC</ccts:CodeName>
                        <ccts:CodeDescription/>
                    </xsd:documentation>
                </xsd:annotation>
            </xsd:enumeration>
            <xsd:enumeration value="HK">
                <xsd:annotation>
                    <xsd:documentation xml:lang="en">
                        <ccts:CodeName>HK</ccts:CodeName>
                        <ccts:CodeDescription/>
                    </xsd:documentation>
                </xsd:annotation>
            </xsd:enumeration>
        </xsd:restriction>
    </xsd:simpleType>

```

```

        </xsd:annotation>
    </xsd:enumeration>
    <xsd:enumeration value="IO">
        <xsd:annotation>
            <xsd:documentation xml:lang="en">
                <ccts:CodeName>IO</ccts:CodeName>
                <ccts:CodeDescription/>
            </xsd:documentation>
        </xsd:annotation>
    </xsd:enumeration>
    <xsd:enumeration value="MY">
        <xsd:annotation>
            <xsd:documentation xml:lang="en">
                <ccts:CodeName>MY</ccts:CodeName>
                <ccts:CodeDescription/>
            </xsd:documentation>
        </xsd:annotation>
    </xsd:enumeration>
    <xsd:enumeration value="PL">
        <xsd:annotation>
            <xsd:documentation xml:lang="en">
                <ccts:CodeName>PL</ccts:CodeName>
                <ccts:CodeDescription/>
            </xsd:documentation>
        </xsd:annotation>
    </xsd:enumeration>
    <xsd:enumeration value="PS">
        <xsd:annotation>
            <xsd:documentation xml:lang="en">
                <ccts:CodeName>PS</ccts:CodeName>
                <ccts:CodeDescription/>
            </xsd:documentation>
        </xsd:annotation>
    </xsd:enumeration>
    <xsd:enumeration value="AX">
        <xsd:annotation>
            <xsd:documentation xml:lang="en">
                <ccts:CodeName>AX</ccts:CodeName>
                <ccts:CodeDescription/>
            </xsd:documentation>
        </xsd:annotation>
    </xsd:enumeration>
    <xsd:enumeration value="BN">
        <xsd:annotation>
            <xsd:documentation xml:lang="en">
                <ccts:CodeName>BN</ccts:CodeName>
                <ccts:CodeDescription/>
            </xsd:documentation>
        </xsd:annotation>
    </xsd:enumeration>
    <xsd:enumeration value="EG">
        <xsd:annotation>
            <xsd:documentation xml:lang="en">
                <ccts:CodeName>EG</ccts:CodeName>
                <ccts:CodeDescription/>
            </xsd:documentation>
        </xsd:annotation>
    </xsd:enumeration>
    <xsd:enumeration value="HU">
        <xsd:annotation>
            <xsd:documentation xml:lang="en">
                <ccts:CodeName>HU</ccts:CodeName>
                <ccts:CodeDescription/>
            </xsd:documentation>
        </xsd:annotation>
    </xsd:enumeration>
    <xsd:enumeration value="MV">
        <xsd:annotation>
            <xsd:documentation xml:lang="en">
                <ccts:CodeName>MV</ccts:CodeName>
                <ccts:CodeDescription/>
            </xsd:documentation>
        </xsd:annotation>
    </xsd:enumeration>
    <xsd:enumeration value="PA">
        <xsd:annotation>
            <xsd:documentation xml:lang="en">
                <ccts:CodeName>PA</ccts:CodeName>
                <ccts:CodeDescription/>
            </xsd:documentation>
        </xsd:annotation>
    </xsd:enumeration>

```

```

        </xsd:documentation>
      </xsd:annotation>
    </xsd:enumeration>
  <xsd:enumeration value="PT">
    <xsd:annotation>
      <xsd:documentation xml:lang="en">
        <ccts:CodeName>PT</ccts:CodeName>
        <ccts:CodeDescription/>
      </xsd:documentation>
    </xsd:annotation>
  </xsd:enumeration>
  <xsd:enumeration value="SY">
    <xsd:annotation>
      <xsd:documentation xml:lang="en">
        <ccts:CodeName>SY</ccts:CodeName>
        <ccts:CodeDescription/>
      </xsd:documentation>
    </xsd:annotation>
  </xsd:enumeration>
  <xsd:enumeration value="AL">
    <xsd:annotation>
      <xsd:documentation xml:lang="en">
        <ccts:CodeName>AL</ccts:CodeName>
        <ccts:CodeDescription/>
      </xsd:documentation>
    </xsd:annotation>
  </xsd:enumeration>
  <xsd:enumeration value="BG">
    <xsd:annotation>
      <xsd:documentation xml:lang="en">
        <ccts:CodeName>BG</ccts:CodeName>
        <ccts:CodeDescription/>
      </xsd:documentation>
    </xsd:annotation>
  </xsd:enumeration>
  <xsd:enumeration value="IS">
    <xsd:annotation>
      <xsd:documentation xml:lang="en">
        <ccts:CodeName>IS</ccts:CodeName>
        <ccts:CodeDescription/>
      </xsd:documentation>
    </xsd:annotation>
  </xsd:enumeration>
  <xsd:enumeration value="ML">
    <xsd:annotation>
      <xsd:documentation xml:lang="en">
        <ccts:CodeName>ML</ccts:CodeName>
        <ccts:CodeDescription/>
      </xsd:documentation>
    </xsd:annotation>
  </xsd:enumeration>
  <xsd:enumeration value="PG">
    <xsd:annotation>
      <xsd:documentation xml:lang="en">
        <ccts:CodeName>PG</ccts:CodeName>
        <ccts:CodeDescription/>
      </xsd:documentation>
    </xsd:annotation>
  </xsd:enumeration>
  <xsd:enumeration value="PR">
    <xsd:annotation>
      <xsd:documentation xml:lang="en">
        <ccts:CodeName>PR</ccts:CodeName>
        <ccts:CodeDescription/>
      </xsd:documentation>
    </xsd:annotation>
  </xsd:enumeration>
  <xsd:enumeration value="SV">
    <xsd:annotation>
      <xsd:documentation xml:lang="en">
        <ccts:CodeName>SV</ccts:CodeName>
        <ccts:CodeDescription/>
      </xsd:documentation>
    </xsd:annotation>
  </xsd:enumeration>
  <xsd:enumeration value="TW">
    <xsd:annotation>
      <xsd:documentation xml:lang="en">
        <ccts:CodeName>TW</ccts:CodeName>

```

```

        <ccts:CodeDescription/>
      </xsd:documentation>
    </xsd:annotation>
  </xsd:enumeration>
  <xsd:enumeration value="BF">
    <xsd:annotation>
      <xsd:documentation xml:lang="en">
        <ccts:CodeName>BF</ccts:CodeName>
        <ccts:CodeDescription/>
      </xsd:documentation>
    </xsd:annotation>
  </xsd:enumeration>
  <xsd:enumeration value="DZ">
    <xsd:annotation>
      <xsd:documentation xml:lang="en">
        <ccts:CodeName>DZ</ccts:CodeName>
        <ccts:CodeDescription/>
      </xsd:documentation>
    </xsd:annotation>
  </xsd:enumeration>
  <xsd:enumeration value="GQ">
    <xsd:annotation>
      <xsd:documentation xml:lang="en">
        <ccts:CodeName>GQ</ccts:CodeName>
        <ccts:CodeDescription/>
      </xsd:documentation>
    </xsd:annotation>
  </xsd:enumeration>
  <xsd:enumeration value="IN">
    <xsd:annotation>
      <xsd:documentation xml:lang="en">
        <ccts:CodeName>IN</ccts:CodeName>
        <ccts:CodeDescription/>
      </xsd:documentation>
    </xsd:annotation>
  </xsd:enumeration>
  <xsd:enumeration value="MT">
    <xsd:annotation>
      <xsd:documentation xml:lang="en">
        <ccts:CodeName>MT</ccts:CodeName>
        <ccts:CodeDescription/>
      </xsd:documentation>
    </xsd:annotation>
  </xsd:enumeration>
  <xsd:enumeration value="PY">
    <xsd:annotation>
      <xsd:documentation xml:lang="en">
        <ccts:CodeName>PY</ccts:CodeName>
        <ccts:CodeDescription/>
      </xsd:documentation>
    </xsd:annotation>
  </xsd:enumeration>
  <xsd:enumeration value="QA">
    <xsd:annotation>
      <xsd:documentation xml:lang="en">
        <ccts:CodeName>QA</ccts:CodeName>
        <ccts:CodeDescription/>
      </xsd:documentation>
    </xsd:annotation>
  </xsd:enumeration>
  <xsd:enumeration value="TJ">
    <xsd:annotation>
      <xsd:documentation xml:lang="en">
        <ccts:CodeName>TJ</ccts:CodeName>
        <ccts:CodeDescription/>
      </xsd:documentation>
    </xsd:annotation>
  </xsd:enumeration>
  <xsd:enumeration value="AS">
    <xsd:annotation>
      <xsd:documentation xml:lang="en">
        <ccts:CodeName>AS</ccts:CodeName>
        <ccts:CodeDescription/>
      </xsd:documentation>
    </xsd:annotation>
  </xsd:enumeration>
  <xsd:enumeration value="BI">
    <xsd:annotation>
      <xsd:documentation xml:lang="en">

```



```

                <ccts:CodeName>BI</ccts:CodeName>
                <ccts:CodeDescription/>
            </xsd:documentation>
        </xsd:annotation>
    </xsd:enumeration>
    <xsd:enumeration value="ER">
        <xsd:annotation>
            <xsd:documentation xml:lang="en">
                <ccts:CodeName>ER</ccts:CodeName>
                <ccts:CodeDescription/>
            </xsd:documentation>
        </xsd:annotation>
    </xsd:enumeration>
    <xsd:enumeration value="ID">
        <xsd:annotation>
            <xsd:documentation xml:lang="en">
                <ccts:CodeName>ID</ccts:CodeName>
                <ccts:CodeDescription/>
            </xsd:documentation>
        </xsd:annotation>
    </xsd:enumeration>
    <xsd:enumeration value="MH">
        <xsd:annotation>
            <xsd:documentation xml:lang="en">
                <ccts:CodeName>MH</ccts:CodeName>
                <ccts:CodeDescription/>
            </xsd:documentation>
        </xsd:annotation>
    </xsd:enumeration>
    <xsd:enumeration value="PE">
        <xsd:annotation>
            <xsd:documentation xml:lang="en">
                <ccts:CodeName>PE</ccts:CodeName>
                <ccts:CodeDescription/>
            </xsd:documentation>
        </xsd:annotation>
    </xsd:enumeration>
    <xsd:enumeration value="RE">
        <xsd:annotation>
            <xsd:documentation xml:lang="en">
                <ccts:CodeName>RE</ccts:CodeName>
                <ccts:CodeDescription/>
            </xsd:documentation>
        </xsd:annotation>
    </xsd:enumeration>
    <xsd:enumeration value="TZ">
        <xsd:annotation>
            <xsd:documentation xml:lang="en">
                <ccts:CodeName>TZ</ccts:CodeName>
                <ccts:CodeDescription/>
            </xsd:documentation>
        </xsd:annotation>
    </xsd:enumeration>
    <xsd:enumeration value="AD">
        <xsd:annotation>
            <xsd:documentation xml:lang="en">
                <ccts:CodeName>AD</ccts:CodeName>
                <ccts:CodeDescription/>
            </xsd:documentation>
        </xsd:annotation>
    </xsd:enumeration>
    <xsd:enumeration value="EE">
        <xsd:annotation>
            <xsd:documentation xml:lang="en">
                <ccts:CodeName>EE</ccts:CodeName>
                <ccts:CodeDescription/>
            </xsd:documentation>
        </xsd:annotation>
    </xsd:enumeration>
    <xsd:enumeration value="IR">
        <xsd:annotation>
            <xsd:documentation xml:lang="en">
                <ccts:CodeName>IR</ccts:CodeName>
                <ccts:CodeDescription/>
            </xsd:documentation>
        </xsd:annotation>
    </xsd:enumeration>
    <xsd:enumeration value="KH">
        <xsd:annotation>

```

```

        <xsd:documentation xml:lang="en">
            <ccts:CodeName>KH</ccts:CodeName>
            <ccts:CodeDescription/>
        </xsd:documentation>
    </xsd:annotation>
</xsd:enumeration>
<xsd:enumeration value="MQ">
    <xsd:annotation>
        <xsd:documentation xml:lang="en">
            <ccts:CodeName>MQ</ccts:CodeName>
            <ccts:CodeDescription/>
        </xsd:documentation>
    </xsd:annotation>
</xsd:enumeration>
<xsd:enumeration value="PH">
    <xsd:annotation>
        <xsd:documentation xml:lang="en">
            <ccts:CodeName>PH</ccts:CodeName>
            <ccts:CodeDescription/>
        </xsd:documentation>
    </xsd:annotation>
</xsd:enumeration>
<xsd:enumeration value="RO">
    <xsd:annotation>
        <xsd:documentation xml:lang="en">
            <ccts:CodeName>RO</ccts:CodeName>
            <ccts:CodeDescription/>
        </xsd:documentation>
    </xsd:annotation>
</xsd:enumeration>
<xsd:enumeration value="TH">
    <xsd:annotation>
        <xsd:documentation xml:lang="en">
            <ccts:CodeName>TH</ccts:CodeName>
            <ccts:CodeDescription/>
        </xsd:documentation>
    </xsd:annotation>
</xsd:enumeration>
<xsd:enumeration value="AO">
    <xsd:annotation>
        <xsd:documentation xml:lang="en">
            <ccts:CodeName>AO</ccts:CodeName>
            <ccts:CodeDescription/>
        </xsd:documentation>
    </xsd:annotation>
</xsd:enumeration>
<xsd:enumeration value="CM">
    <xsd:annotation>
        <xsd:documentation xml:lang="en">
            <ccts:CodeName>CM</ccts:CodeName>
            <ccts:CodeDescription/>
        </xsd:documentation>
    </xsd:annotation>
</xsd:enumeration>
<xsd:enumeration value="ET">
    <xsd:annotation>
        <xsd:documentation xml:lang="en">
            <ccts:CodeName>ET</ccts:CodeName>
            <ccts:CodeDescription/>
        </xsd:documentation>
    </xsd:annotation>
</xsd:enumeration>
<xsd:enumeration value="IQ">
    <xsd:annotation>
        <xsd:documentation xml:lang="en">
            <ccts:CodeName>IQ</ccts:CodeName>
            <ccts:CodeDescription/>
        </xsd:documentation>
    </xsd:annotation>
</xsd:enumeration>
<xsd:enumeration value="MR">
    <xsd:annotation>
        <xsd:documentation xml:lang="en">
            <ccts:CodeName>MR</ccts:CodeName>
            <ccts:CodeDescription/>
        </xsd:documentation>
    </xsd:annotation>
</xsd:enumeration>
<xsd:enumeration value="PN">

```

```

        <xsd:documentation xml:lang="en">
          <ccts:CodeName>PN</ccts:CodeName>
          <ccts:CodeDescription/>
        </xsd:documentation>
      </xsd:annotation>
    </xsd:enumeration>
    <xsd:enumeration value="RU">
      <xsd:documentation xml:lang="en">
        <ccts:CodeName>RU</ccts:CodeName>
        <ccts:CodeDescription/>
      </xsd:documentation>
    </xsd:annotation>
  </xsd:enumeration>
  <xsd:enumeration value="TL">
    <xsd:documentation xml:lang="en">
      <ccts:CodeName>TL</ccts:CodeName>
      <ccts:CodeDescription/>
    </xsd:documentation>
  </xsd:annotation>
</xsd:enumeration>
<xsd:enumeration value="AI">
  <xsd:documentation xml:lang="en">
    <ccts:CodeName>AI</ccts:CodeName>
    <ccts:CodeDescription/>
  </xsd:documentation>
</xsd:annotation>
</xsd:enumeration>
<xsd:enumeration value="CA">
  <xsd:documentation xml:lang="en">
    <ccts:CodeName>CA</ccts:CodeName>
    <ccts:CodeDescription/>
  </xsd:documentation>
</xsd:annotation>
</xsd:enumeration>
<xsd:enumeration value="FK">
  <xsd:documentation xml:lang="en">
    <ccts:CodeName>FK</ccts:CodeName>
    <ccts:CodeDescription/>
  </xsd:documentation>
</xsd:annotation>
</xsd:enumeration>
<xsd:enumeration value="IE">
  <xsd:documentation xml:lang="en">
    <ccts:CodeName>IE</ccts:CodeName>
    <ccts:CodeDescription/>
  </xsd:documentation>
</xsd:annotation>
</xsd:enumeration>
<xsd:enumeration value="MU">
  <xsd:documentation xml:lang="en">
    <ccts:CodeName>MU</ccts:CodeName>
    <ccts:CodeDescription/>
  </xsd:documentation>
</xsd:annotation>
</xsd:enumeration>
<xsd:enumeration value="RW">
  <xsd:documentation xml:lang="en">
    <ccts:CodeName>RW</ccts:CodeName>
    <ccts:CodeDescription/>
  </xsd:documentation>
</xsd:annotation>
</xsd:enumeration>
<xsd:enumeration value="TG">
  <xsd:documentation xml:lang="en">
    <ccts:CodeName>TG</ccts:CodeName>
    <ccts:CodeDescription/>
  </xsd:documentation>
</xsd:annotation>
</xsd:enumeration>

```

```

<xsd:enumeration value="AQ">
  <xsd:annotation>
    <xsd:documentation xml:lang="en">
      <ccts:CodeName>AQ</ccts:CodeName>
      <ccts:CodeDescription/>
    </xsd:documentation>
  </xsd:annotation>
</xsd:enumeration>
<xsd:enumeration value="CV">
  <xsd:annotation>
    <xsd:documentation xml:lang="en">
      <ccts:CodeName>CV</ccts:CodeName>
      <ccts:CodeDescription/>
    </xsd:documentation>
  </xsd:annotation>
</xsd:enumeration>
<xsd:enumeration value="FO">
  <xsd:annotation>
    <xsd:documentation xml:lang="en">
      <ccts:CodeName>FO</ccts:CodeName>
      <ccts:CodeDescription/>
    </xsd:documentation>
  </xsd:annotation>
</xsd:enumeration>
<xsd:enumeration value="IM">
  <xsd:annotation>
    <xsd:documentation xml:lang="en">
      <ccts:CodeName>IM</ccts:CodeName>
      <ccts:CodeDescription/>
    </xsd:documentation>
  </xsd:annotation>
</xsd:enumeration>
<xsd:enumeration value="SH">
  <xsd:annotation>
    <xsd:documentation xml:lang="en">
      <ccts:CodeName>SH</ccts:CodeName>
      <ccts:CodeDescription/>
    </xsd:documentation>
  </xsd:annotation>
</xsd:enumeration>
<xsd:enumeration value="TK">
  <xsd:annotation>
    <xsd:documentation xml:lang="en">
      <ccts:CodeName>TK</ccts:CodeName>
      <ccts:CodeDescription/>
    </xsd:documentation>
  </xsd:annotation>
</xsd:enumeration>
<xsd:enumeration value="YT">
  <xsd:annotation>
    <xsd:documentation xml:lang="en">
      <ccts:CodeName>YT</ccts:CodeName>
      <ccts:CodeDescription/>
    </xsd:documentation>
  </xsd:annotation>
</xsd:enumeration>
<xsd:enumeration value="AG">
  <xsd:annotation>
    <xsd:documentation xml:lang="en">
      <ccts:CodeName>AG</ccts:CodeName>
      <ccts:CodeDescription/>
    </xsd:documentation>
  </xsd:annotation>
</xsd:enumeration>
<xsd:enumeration value="FJ">
  <xsd:annotation>
    <xsd:documentation xml:lang="en">
      <ccts:CodeName>FJ</ccts:CodeName>
      <ccts:CodeDescription/>
    </xsd:documentation>
  </xsd:annotation>
</xsd:enumeration>
<xsd:enumeration value="IL">
  <xsd:annotation>
    <xsd:documentation xml:lang="en">
      <ccts:CodeName>IL</ccts:CodeName>
      <ccts:CodeDescription/>
    </xsd:documentation>
  </xsd:annotation>
</xsd:enumeration>

```

```

</xsd:enumeration>
<xsd:enumeration value="KN">
  <xsd:annotation>
    <xsd:documentation xml:lang="en">
      <ccts:CodeName>KN</ccts:CodeName>
      <ccts:CodeDescription/>
    </xsd:documentation>
  </xsd:annotation>
</xsd:enumeration>
<xsd:enumeration value="KY">
  <xsd:annotation>
    <xsd:documentation xml:lang="en">
      <ccts:CodeName>KY</ccts:CodeName>
      <ccts:CodeDescription/>
    </xsd:documentation>
  </xsd:annotation>
</xsd:enumeration>
<xsd:enumeration value="MX">
  <xsd:annotation>
    <xsd:documentation xml:lang="en">
      <ccts:CodeName>MX</ccts:CodeName>
      <ccts:CodeDescription/>
    </xsd:documentation>
  </xsd:annotation>
</xsd:enumeration>
<xsd:enumeration value="TO">
  <xsd:annotation>
    <xsd:documentation xml:lang="en">
      <ccts:CodeName>TO</ccts:CodeName>
      <ccts:CodeDescription/>
    </xsd:documentation>
  </xsd:annotation>
</xsd:enumeration>
<xsd:enumeration value="AR">
  <xsd:annotation>
    <xsd:documentation xml:lang="en">
      <ccts:CodeName>AR</ccts:CodeName>
      <ccts:CodeDescription/>
    </xsd:documentation>
  </xsd:annotation>
</xsd:enumeration>
<xsd:enumeration value="CF">
  <xsd:annotation>
    <xsd:documentation xml:lang="en">
      <ccts:CodeName>CF</ccts:CodeName>
      <ccts:CodeDescription/>
    </xsd:documentation>
  </xsd:annotation>
</xsd:enumeration>
<xsd:enumeration value="FI">
  <xsd:annotation>
    <xsd:documentation xml:lang="en">
      <ccts:CodeName>FI</ccts:CodeName>
      <ccts:CodeDescription/>
    </xsd:documentation>
  </xsd:annotation>
</xsd:enumeration>
<xsd:enumeration value="FM">
  <xsd:annotation>
    <xsd:documentation xml:lang="en">
      <ccts:CodeName>FM</ccts:CodeName>
      <ccts:CodeDescription/>
    </xsd:documentation>
  </xsd:annotation>
</xsd:enumeration>
<xsd:enumeration value="IT">
  <xsd:annotation>
    <xsd:documentation xml:lang="en">
      <ccts:CodeName>IT</ccts:CodeName>
      <ccts:CodeDescription/>
    </xsd:documentation>
  </xsd:annotation>
</xsd:enumeration>
<xsd:enumeration value="LC">
  <xsd:annotation>
    <xsd:documentation xml:lang="en">
      <ccts:CodeName>LC</ccts:CodeName>
      <ccts:CodeDescription/>
    </xsd:documentation>
  </xsd:annotation>
</xsd:enumeration>

```

```

        </xsd:annotation>
</xsd:enumeration>
<xsd:enumeration value="TT">
  <xsd:annotation>
    <xsd:documentation xml:lang="en">
      <ccts:CodeName>TT</ccts:CodeName>
      <ccts:CodeDescription/>
    </xsd:documentation>
  </xsd:annotation>
</xsd:enumeration>
<xsd:enumeration value="AM">
  <xsd:annotation>
    <xsd:documentation xml:lang="en">
      <ccts:CodeName>AM</ccts:CodeName>
      <ccts:CodeDescription/>
    </xsd:documentation>
  </xsd:annotation>
</xsd:enumeration>
<xsd:enumeration value="FR">
  <xsd:annotation>
    <xsd:documentation xml:lang="en">
      <ccts:CodeName>FR</ccts:CodeName>
      <ccts:CodeDescription/>
    </xsd:documentation>
  </xsd:annotation>
</xsd:enumeration>
<xsd:enumeration value="JM">
  <xsd:annotation>
    <xsd:documentation xml:lang="en">
      <ccts:CodeName>JM</ccts:CodeName>
      <ccts:CodeDescription/>
    </xsd:documentation>
  </xsd:annotation>
</xsd:enumeration>
<xsd:enumeration value="MD">
  <xsd:annotation>
    <xsd:documentation xml:lang="en">
      <ccts:CodeName>MD</ccts:CodeName>
      <ccts:CodeDescription/>
    </xsd:documentation>
  </xsd:annotation>
</xsd:enumeration>
<xsd:enumeration value="PM">
  <xsd:annotation>
    <xsd:documentation xml:lang="en">
      <ccts:CodeName>PM</ccts:CodeName>
      <ccts:CodeDescription/>
    </xsd:documentation>
  </xsd:annotation>
</xsd:enumeration>
<xsd:enumeration value="TD">
  <xsd:annotation>
    <xsd:documentation xml:lang="en">
      <ccts:CodeName>TD</ccts:CodeName>
      <ccts:CodeDescription/>
    </xsd:documentation>
  </xsd:annotation>
</xsd:enumeration>
<xsd:enumeration value="TN">
  <xsd:annotation>
    <xsd:documentation xml:lang="en">
      <ccts:CodeName>TN</ccts:CodeName>
      <ccts:CodeDescription/>
    </xsd:documentation>
  </xsd:annotation>
</xsd:enumeration>
<xsd:enumeration value="AW">
  <xsd:annotation>
    <xsd:documentation xml:lang="en">
      <ccts:CodeName>AW</ccts:CodeName>
      <ccts:CodeDescription/>
    </xsd:documentation>
  </xsd:annotation>
</xsd:enumeration>
<xsd:enumeration value="CL">
  <xsd:annotation>
    <xsd:documentation xml:lang="en">
      <ccts:CodeName>CL</ccts:CodeName>
      <ccts:CodeDescription/>
    </xsd:documentation>
  </xsd:annotation>
</xsd:enumeration>

```

```

        </xsd:documentation>
      </xsd:annotation>
    </xsd:enumeration>
  <xsd:enumeration value="GF">
    <xsd:annotation>
      <xsd:documentation xml:lang="en">
        <ccts:CodeName>GF</ccts:CodeName>
        <ccts:CodeDescription/>
      </xsd:documentation>
    </xsd:annotation>
  </xsd:enumeration>
  <xsd:enumeration value="JP">
    <xsd:annotation>
      <xsd:documentation xml:lang="en">
        <ccts:CodeName>JP</ccts:CodeName>
        <ccts:CodeDescription/>
      </xsd:documentation>
    </xsd:annotation>
  </xsd:enumeration>
  <xsd:enumeration value="MC">
    <xsd:annotation>
      <xsd:documentation xml:lang="en">
        <ccts:CodeName>MC</ccts:CodeName>
        <ccts:CodeDescription/>
      </xsd:documentation>
    </xsd:annotation>
  </xsd:enumeration>
  <xsd:enumeration value="TR">
    <xsd:annotation>
      <xsd:documentation xml:lang="en">
        <ccts:CodeName>TR</ccts:CodeName>
        <ccts:CodeDescription/>
      </xsd:documentation>
    </xsd:annotation>
  </xsd:enumeration>
  <xsd:enumeration value="VC">
    <xsd:annotation>
      <xsd:documentation xml:lang="en">
        <ccts:CodeName>VC</ccts:CodeName>
        <ccts:CodeDescription/>
      </xsd:documentation>
    </xsd:annotation>
  </xsd:enumeration>
  <xsd:enumeration value="AU">
    <xsd:annotation>
      <xsd:documentation xml:lang="en">
        <ccts:CodeName>AU</ccts:CodeName>
        <ccts:CodeDescription/>
      </xsd:documentation>
    </xsd:annotation>
  </xsd:enumeration>
  <xsd:enumeration value="CN">
    <xsd:annotation>
      <xsd:documentation xml:lang="en">
        <ccts:CodeName>CN</ccts:CodeName>
        <ccts:CodeDescription/>
      </xsd:documentation>
    </xsd:annotation>
  </xsd:enumeration>
  <xsd:enumeration value="JE">
    <xsd:annotation>
      <xsd:documentation xml:lang="en">
        <ccts:CodeName>JE</ccts:CodeName>
        <ccts:CodeDescription/>
      </xsd:documentation>
    </xsd:annotation>
  </xsd:enumeration>
  <xsd:enumeration value="MN">
    <xsd:annotation>
      <xsd:documentation xml:lang="en">
        <ccts:CodeName>MN</ccts:CodeName>
        <ccts:CodeDescription/>
      </xsd:documentation>
    </xsd:annotation>
  </xsd:enumeration>
  <xsd:enumeration value="PF">
    <xsd:annotation>
      <xsd:documentation xml:lang="en">
        <ccts:CodeName>PF</ccts:CodeName>

```

```

        <ccts:CodeDescription/>
      </xsd:documentation>
    </xsd:annotation>
  </xsd:enumeration>
  <xsd:enumeration value="TM">
    <xsd:annotation>
      <xsd:documentation xml:lang="en">
        <ccts:CodeName>TM</ccts:CodeName>
        <ccts:CodeDescription/>
      </xsd:documentation>
    </xsd:annotation>
  </xsd:enumeration>
  <xsd:enumeration value="WS">
    <xsd:annotation>
      <xsd:documentation xml:lang="en">
        <ccts:CodeName>WS</ccts:CodeName>
        <ccts:CodeDescription/>
      </xsd:documentation>
    </xsd:annotation>
  </xsd:enumeration>
  <xsd:enumeration value="AT">
    <xsd:annotation>
      <xsd:documentation xml:lang="en">
        <ccts:CodeName>AT</ccts:CodeName>
        <ccts:CodeDescription/>
      </xsd:documentation>
    </xsd:annotation>
  </xsd:enumeration>
  <xsd:enumeration value="CX">
    <xsd:annotation>
      <xsd:documentation xml:lang="en">
        <ccts:CodeName>CX</ccts:CodeName>
        <ccts:CodeDescription/>
      </xsd:documentation>
    </xsd:annotation>
  </xsd:enumeration>
  <xsd:enumeration value="JO">
    <xsd:annotation>
      <xsd:documentation xml:lang="en">
        <ccts:CodeName>JO</ccts:CodeName>
        <ccts:CodeDescription/>
      </xsd:documentation>
    </xsd:annotation>
  </xsd:enumeration>
  <xsd:enumeration value="ME">
    <xsd:annotation>
      <xsd:documentation xml:lang="en">
        <ccts:CodeName>ME</ccts:CodeName>
        <ccts:CodeDescription/>
      </xsd:documentation>
    </xsd:annotation>
  </xsd:enumeration>
  <xsd:enumeration value="SM">
    <xsd:annotation>
      <xsd:documentation xml:lang="en">
        <ccts:CodeName>SM</ccts:CodeName>
        <ccts:CodeDescription/>
      </xsd:documentation>
    </xsd:annotation>
  </xsd:enumeration>
  <xsd:enumeration value="TC">
    <xsd:annotation>
      <xsd:documentation xml:lang="en">
        <ccts:CodeName>TC</ccts:CodeName>
        <ccts:CodeDescription/>
      </xsd:documentation>
    </xsd:annotation>
  </xsd:enumeration>
  <xsd:enumeration value="TF">
    <xsd:annotation>
      <xsd:documentation xml:lang="en">
        <ccts:CodeName>TF</ccts:CodeName>
        <ccts:CodeDescription/>
      </xsd:documentation>
    </xsd:annotation>
  </xsd:enumeration>
  <xsd:enumeration value="AZ">
    <xsd:annotation>
      <xsd:documentation xml:lang="en">

```



```

                <ccts:CodeName>AZ</ccts:CodeName>
                <ccts:CodeDescription/>
            </xsd:documentation>
        </xsd:annotation>
    </xsd:enumeration>
    <xsd:enumeration value="CC">
        <xsd:annotation>
            <xsd:documentation xml:lang="en">
                <ccts:CodeName>CC</ccts:CodeName>
                <ccts:CodeDescription/>
            </xsd:documentation>
        </xsd:annotation>
    </xsd:enumeration>
    <xsd:enumeration value="GA">
        <xsd:annotation>
            <xsd:documentation xml:lang="en">
                <ccts:CodeName>GA</ccts:CodeName>
                <ccts:CodeDescription/>
            </xsd:documentation>
        </xsd:annotation>
    </xsd:enumeration>
    <xsd:enumeration value="KZ">
        <xsd:annotation>
            <xsd:documentation xml:lang="en">
                <ccts:CodeName>KZ</ccts:CodeName>
                <ccts:CodeDescription/>
            </xsd:documentation>
        </xsd:annotation>
    </xsd:enumeration>
    <xsd:enumeration value="MS">
        <xsd:annotation>
            <xsd:documentation xml:lang="en">
                <ccts:CodeName>MS</ccts:CodeName>
                <ccts:CodeDescription/>
            </xsd:documentation>
        </xsd:annotation>
    </xsd:enumeration>
    <xsd:enumeration value="ST">
        <xsd:annotation>
            <xsd:documentation xml:lang="en">
                <ccts:CodeName>ST</ccts:CodeName>
                <ccts:CodeDescription/>
            </xsd:documentation>
        </xsd:annotation>
    </xsd:enumeration>
    <xsd:enumeration value="TV">
        <xsd:annotation>
            <xsd:documentation xml:lang="en">
                <ccts:CodeName>TV</ccts:CodeName>
                <ccts:CodeDescription/>
            </xsd:documentation>
        </xsd:annotation>
    </xsd:enumeration>
    <xsd:enumeration value="BS">
        <xsd:annotation>
            <xsd:documentation xml:lang="en">
                <ccts:CodeName>BS</ccts:CodeName>
                <ccts:CodeDescription/>
            </xsd:documentation>
        </xsd:annotation>
    </xsd:enumeration>
    <xsd:enumeration value="CO">
        <xsd:annotation>
            <xsd:documentation xml:lang="en">
                <ccts:CodeName>CO</ccts:CodeName>
                <ccts:CodeDescription/>
            </xsd:documentation>
        </xsd:annotation>
    </xsd:enumeration>
    <xsd:enumeration value="GM">
        <xsd:annotation>
            <xsd:documentation xml:lang="en">
                <ccts:CodeName>GM</ccts:CodeName>
                <ccts:CodeDescription/>
            </xsd:documentation>
        </xsd:annotation>
    </xsd:enumeration>
    <xsd:enumeration value="KE">
        <xsd:annotation>

```

```

        <xsd:documentation xml:lang="en">
            <ccts:CodeName>KE</ccts:CodeName>
            <ccts:CodeDescription/>
        </xsd:documentation>
    </xsd:annotation>
</xsd:enumeration>
<xsd:enumeration value="MA">
    <xsd:annotation>
        <xsd:documentation xml:lang="en">
            <ccts:CodeName>MA</ccts:CodeName>
            <ccts:CodeDescription/>
        </xsd:documentation>
    </xsd:annotation>
</xsd:enumeration>
<xsd:enumeration value="SA">
    <xsd:annotation>
        <xsd:documentation xml:lang="en">
            <ccts:CodeName>SA</ccts:CodeName>
            <ccts:CodeDescription/>
        </xsd:documentation>
    </xsd:annotation>
</xsd:enumeration>
<xsd:enumeration value="UG">
    <xsd:annotation>
        <xsd:documentation xml:lang="en">
            <ccts:CodeName>UG</ccts:CodeName>
            <ccts:CodeDescription/>
        </xsd:documentation>
    </xsd:annotation>
</xsd:enumeration>
<xsd:enumeration value="BH">
    <xsd:annotation>
        <xsd:documentation xml:lang="en">
            <ccts:CodeName>BH</ccts:CodeName>
            <ccts:CodeDescription/>
        </xsd:documentation>
    </xsd:annotation>
</xsd:enumeration>
<xsd:enumeration value="GE">
    <xsd:annotation>
        <xsd:documentation xml:lang="en">
            <ccts:CodeName>GE</ccts:CodeName>
            <ccts:CodeDescription/>
        </xsd:documentation>
    </xsd:annotation>
</xsd:enumeration>
<xsd:enumeration value="KI">
    <xsd:annotation>
        <xsd:documentation xml:lang="en">
            <ccts:CodeName>KI</ccts:CodeName>
            <ccts:CodeDescription/>
        </xsd:documentation>
    </xsd:annotation>
</xsd:enumeration>
<xsd:enumeration value="KM">
    <xsd:annotation>
        <xsd:documentation xml:lang="en">
            <ccts:CodeName>KM</ccts:CodeName>
            <ccts:CodeDescription/>
        </xsd:documentation>
    </xsd:annotation>
</xsd:enumeration>
<xsd:enumeration value="MZ">
    <xsd:annotation>
        <xsd:documentation xml:lang="en">
            <ccts:CodeName>MZ</ccts:CodeName>
            <ccts:CodeDescription/>
        </xsd:documentation>
    </xsd:annotation>
</xsd:enumeration>
<xsd:enumeration value="SN">
    <xsd:annotation>
        <xsd:documentation xml:lang="en">
            <ccts:CodeName>SN</ccts:CodeName>
            <ccts:CodeDescription/>
        </xsd:documentation>
    </xsd:annotation>
</xsd:enumeration>
<xsd:enumeration value="UA">

```

```

        <xsd:annotation>
          <xsd:documentation xml:lang="en">
            <ccts:CodeName>UA</ccts:CodeName>
            <ccts:CodeDescription/>
          </xsd:documentation>
        </xsd:annotation>
      </xsd:enumeration>
    <xsd:enumeration value="AE">
      <xsd:annotation>
        <xsd:documentation xml:lang="en">
          <ccts:CodeName>AE</ccts:CodeName>
          <ccts:CodeDescription/>
        </xsd:documentation>
      </xsd:annotation>
    </xsd:enumeration>
    <xsd:enumeration value="BD">
      <xsd:annotation>
        <xsd:documentation xml:lang="en">
          <ccts:CodeName>BD</ccts:CodeName>
          <ccts:CodeDescription/>
        </xsd:documentation>
      </xsd:annotation>
    </xsd:enumeration>
    <xsd:enumeration value="CG">
      <xsd:annotation>
        <xsd:documentation xml:lang="en">
          <ccts:CodeName>CG</ccts:CodeName>
          <ccts:CodeDescription/>
        </xsd:documentation>
      </xsd:annotation>
    </xsd:enumeration>
    <xsd:enumeration value="DE">
      <xsd:annotation>
        <xsd:documentation xml:lang="en">
          <ccts:CodeName>DE</ccts:CodeName>
          <ccts:CodeDescription/>
        </xsd:documentation>
      </xsd:annotation>
    </xsd:enumeration>
    <xsd:enumeration value="KP">
      <xsd:annotation>
        <xsd:documentation xml:lang="en">
          <ccts:CodeName>KP</ccts:CodeName>
          <ccts:CodeDescription/>
        </xsd:documentation>
      </xsd:annotation>
    </xsd:enumeration>
    <xsd:enumeration value="MM">
      <xsd:annotation>
        <xsd:documentation xml:lang="en">
          <ccts:CodeName>MM</ccts:CodeName>
          <ccts:CodeDescription/>
        </xsd:documentation>
      </xsd:annotation>
    </xsd:enumeration>
    <xsd:enumeration value="RS">
      <xsd:annotation>
        <xsd:documentation xml:lang="en">
          <ccts:CodeName>RS</ccts:CodeName>
          <ccts:CodeDescription/>
        </xsd:documentation>
      </xsd:annotation>
    </xsd:enumeration>
    <xsd:enumeration value="BB">
      <xsd:annotation>
        <xsd:documentation xml:lang="en">
          <ccts:CodeName>BB</ccts:CodeName>
          <ccts:CodeDescription/>
        </xsd:documentation>
      </xsd:annotation>
    </xsd:enumeration>
    <xsd:enumeration value="CD">
      <xsd:annotation>
        <xsd:documentation xml:lang="en">
          <ccts:CodeName>CD</ccts:CodeName>
          <ccts:CodeDescription/>
        </xsd:documentation>
      </xsd:annotation>
    </xsd:enumeration>
  </xsd:enumeration>

```

```

<xsd:enumeration value="GB">
  <xsd:annotation>
    <xsd:documentation xml:lang="en">
      <ccts:CodeName>GB</ccts:CodeName>
      <ccts:CodeDescription/>
    </xsd:documentation>
  </xsd:annotation>
</xsd:enumeration>
<xsd:enumeration value="GH">
  <xsd:annotation>
    <xsd:documentation xml:lang="en">
      <ccts:CodeName>GH</ccts:CodeName>
      <ccts:CodeDescription/>
    </xsd:documentation>
  </xsd:annotation>
</xsd:enumeration>
<xsd:enumeration value="KR">
  <xsd:annotation>
    <xsd:documentation xml:lang="en">
      <ccts:CodeName>KR</ccts:CodeName>
      <ccts:CodeDescription/>
    </xsd:documentation>
  </xsd:annotation>
</xsd:enumeration>
<xsd:enumeration value="NA">
  <xsd:annotation>
    <xsd:documentation xml:lang="en">
      <ccts:CodeName>NA</ccts:CodeName>
      <ccts:CodeDescription/>
    </xsd:documentation>
  </xsd:annotation>
</xsd:enumeration>
<xsd:enumeration value="SC">
  <xsd:annotation>
    <xsd:documentation xml:lang="en">
      <ccts:CodeName>SC</ccts:CodeName>
      <ccts:CodeDescription/>
    </xsd:documentation>
  </xsd:annotation>
</xsd:enumeration>
<xsd:enumeration value="BY">
  <xsd:annotation>
    <xsd:documentation xml:lang="en">
      <ccts:CodeName>BY</ccts:CodeName>
      <ccts:CodeDescription/>
    </xsd:documentation>
  </xsd:annotation>
</xsd:enumeration>
<xsd:enumeration value="CK">
  <xsd:annotation>
    <xsd:documentation xml:lang="en">
      <ccts:CodeName>CK</ccts:CodeName>
      <ccts:CodeDescription/>
    </xsd:documentation>
  </xsd:annotation>
</xsd:enumeration>
<xsd:enumeration value="GI">
  <xsd:annotation>
    <xsd:documentation xml:lang="en">
      <ccts:CodeName>GI</ccts:CodeName>
      <ccts:CodeDescription/>
    </xsd:documentation>
  </xsd:annotation>
</xsd:enumeration>
<xsd:enumeration value="KW">
  <xsd:annotation>
    <xsd:documentation xml:lang="en">
      <ccts:CodeName>KW</ccts:CodeName>
      <ccts:CodeDescription/>
    </xsd:documentation>
  </xsd:annotation>
</xsd:enumeration>
<xsd:enumeration value="NR">
  <xsd:annotation>
    <xsd:documentation xml:lang="en">
      <ccts:CodeName>NR</ccts:CodeName>
      <ccts:CodeDescription/>
    </xsd:documentation>
  </xsd:annotation>
</xsd:enumeration>

```

```

</xsd:enumeration>
<xsd:enumeration value="SL">
  <xsd:annotation>
    <xsd:documentation xml:lang="en">
      <ccts:CodeName>SL</ccts:CodeName>
      <ccts:CodeDescription/>
    </xsd:documentation>
  </xsd:annotation>
</xsd:enumeration>
<xsd:enumeration value="US">
  <xsd:annotation>
    <xsd:documentation xml:lang="en">
      <ccts:CodeName>US</ccts:CodeName>
      <ccts:CodeDescription/>
    </xsd:documentation>
  </xsd:annotation>
</xsd:enumeration>
<xsd:enumeration value="BE">
  <xsd:annotation>
    <xsd:documentation xml:lang="en">
      <ccts:CodeName>BE</ccts:CodeName>
      <ccts:CodeDescription/>
    </xsd:documentation>
  </xsd:annotation>
</xsd:enumeration>
<xsd:enumeration value="CR">
  <xsd:annotation>
    <xsd:documentation xml:lang="en">
      <ccts:CodeName>CR</ccts:CodeName>
      <ccts:CodeDescription/>
    </xsd:documentation>
  </xsd:annotation>
</xsd:enumeration>
<xsd:enumeration value="GR">
  <xsd:annotation>
    <xsd:documentation xml:lang="en">
      <ccts:CodeName>GR</ccts:CodeName>
      <ccts:CodeDescription/>
    </xsd:documentation>
  </xsd:annotation>
</xsd:enumeration>
<xsd:enumeration value="KG">
  <xsd:annotation>
    <xsd:documentation xml:lang="en">
      <ccts:CodeName>KG</ccts:CodeName>
      <ccts:CodeDescription/>
    </xsd:documentation>
  </xsd:annotation>
</xsd:enumeration>
<xsd:enumeration value="NP">
  <xsd:annotation>
    <xsd:documentation xml:lang="en">
      <ccts:CodeName>NP</ccts:CodeName>
      <ccts:CodeDescription/>
    </xsd:documentation>
  </xsd:annotation>
</xsd:enumeration>
<xsd:enumeration value="SG">
  <xsd:annotation>
    <xsd:documentation xml:lang="en">
      <ccts:CodeName>SG</ccts:CodeName>
      <ccts:CodeDescription/>
    </xsd:documentation>
  </xsd:annotation>
</xsd:enumeration>
<xsd:enumeration value="UM">
  <xsd:annotation>
    <xsd:documentation xml:lang="en">
      <ccts:CodeName>UM</ccts:CodeName>
      <ccts:CodeDescription/>
    </xsd:documentation>
  </xsd:annotation>
</xsd:enumeration>
<xsd:enumeration value="BZ">
  <xsd:annotation>
    <xsd:documentation xml:lang="en">
      <ccts:CodeName>BZ</ccts:CodeName>
      <ccts:CodeDescription/>
    </xsd:documentation>
  </xsd:annotation>
</xsd:enumeration>

```

```

        </xsd:annotation>
    </xsd:enumeration>
    <xsd:enumeration value="CI">
        <xsd:annotation>
            <xsd:documentation xml:lang="en">
                <ccts:CodeName>CI</ccts:CodeName>
                <ccts:CodeDescription/>
            </xsd:documentation>
        </xsd:annotation>
    </xsd:enumeration>
    <xsd:enumeration value="GL">
        <xsd:annotation>
            <xsd:documentation xml:lang="en">
                <ccts:CodeName>GL</ccts:CodeName>
                <ccts:CodeDescription/>
            </xsd:documentation>
        </xsd:annotation>
    </xsd:enumeration>
    <xsd:enumeration value="LA">
        <xsd:annotation>
            <xsd:documentation xml:lang="en">
                <ccts:CodeName>LA</ccts:CodeName>
                <ccts:CodeDescription/>
            </xsd:documentation>
        </xsd:annotation>
    </xsd:enumeration>
    <xsd:enumeration value="NL">
        <xsd:annotation>
            <xsd:documentation xml:lang="en">
                <ccts:CodeName>NL</ccts:CodeName>
                <ccts:CodeDescription/>
            </xsd:documentation>
        </xsd:annotation>
    </xsd:enumeration>
    <xsd:enumeration value="SK">
        <xsd:annotation>
            <xsd:documentation xml:lang="en">
                <ccts:CodeName>SK</ccts:CodeName>
                <ccts:CodeDescription/>
            </xsd:documentation>
        </xsd:annotation>
    </xsd:enumeration>
    <xsd:enumeration value="UY">
        <xsd:annotation>
            <xsd:documentation xml:lang="en">
                <ccts:CodeName>UY</ccts:CodeName>
                <ccts:CodeDescription/>
            </xsd:documentation>
        </xsd:annotation>
    </xsd:enumeration>
    <xsd:enumeration value="AN">
        <xsd:annotation>
            <xsd:documentation xml:lang="en">
                <ccts:CodeName>AN</ccts:CodeName>
                <ccts:CodeDescription/>
            </xsd:documentation>
        </xsd:annotation>
    </xsd:enumeration>
    <xsd:enumeration value="BJ">
        <xsd:annotation>
            <xsd:documentation xml:lang="en">
                <ccts:CodeName>BJ</ccts:CodeName>
                <ccts:CodeDescription/>
            </xsd:documentation>
        </xsd:annotation>
    </xsd:enumeration>
    <xsd:enumeration value="GD">
        <xsd:annotation>
            <xsd:documentation xml:lang="en">
                <ccts:CodeName>GD</ccts:CodeName>
                <ccts:CodeDescription/>
            </xsd:documentation>
        </xsd:annotation>
    </xsd:enumeration>
    <xsd:enumeration value="HR">
        <xsd:annotation>
            <xsd:documentation xml:lang="en">
                <ccts:CodeName>HR</ccts:CodeName>
                <ccts:CodeDescription/>
            </xsd:documentation>
        </xsd:annotation>
    </xsd:enumeration>

```

```

        </xsd:documentation>
      </xsd:annotation>
    </xsd:enumeration>
  <xsd:enumeration value="LV">
    <xsd:annotation>
      <xsd:documentation xml:lang="en">
        <ccts:CodeName>LV</ccts:CodeName>
        <ccts:CodeDescription/>
      </xsd:documentation>
    </xsd:annotation>
  </xsd:enumeration>
  <xsd:enumeration value="SI">
    <xsd:annotation>
      <xsd:documentation xml:lang="en">
        <ccts:CodeName>SI</ccts:CodeName>
        <ccts:CodeDescription/>
      </xsd:documentation>
    </xsd:annotation>
  </xsd:enumeration>
  <xsd:enumeration value="UZ">
    <xsd:annotation>
      <xsd:documentation xml:lang="en">
        <ccts:CodeName>UZ</ccts:CodeName>
        <ccts:CodeDescription/>
      </xsd:documentation>
    </xsd:annotation>
  </xsd:enumeration>
  <xsd:enumeration value="BM">
    <xsd:annotation>
      <xsd:documentation xml:lang="en">
        <ccts:CodeName>BM</ccts:CodeName>
        <ccts:CodeDescription/>
      </xsd:documentation>
    </xsd:annotation>
  </xsd:enumeration>
  <xsd:enumeration value="CU">
    <xsd:annotation>
      <xsd:documentation xml:lang="en">
        <ccts:CodeName>CU</ccts:CodeName>
        <ccts:CodeDescription/>
      </xsd:documentation>
    </xsd:annotation>
  </xsd:enumeration>
  <xsd:enumeration value="GP">
    <xsd:annotation>
      <xsd:documentation xml:lang="en">
        <ccts:CodeName>GP</ccts:CodeName>
        <ccts:CodeDescription/>
      </xsd:documentation>
    </xsd:annotation>
  </xsd:enumeration>
  <xsd:enumeration value="LB">
    <xsd:annotation>
      <xsd:documentation xml:lang="en">
        <ccts:CodeName>LB</ccts:CodeName>
        <ccts:CodeDescription/>
      </xsd:documentation>
    </xsd:annotation>
  </xsd:enumeration>
  <xsd:enumeration value="NC">
    <xsd:annotation>
      <xsd:documentation xml:lang="en">
        <ccts:CodeName>NC</ccts:CodeName>
        <ccts:CodeDescription/>
      </xsd:documentation>
    </xsd:annotation>
  </xsd:enumeration>
  <xsd:enumeration value="SB">
    <xsd:annotation>
      <xsd:documentation xml:lang="en">
        <ccts:CodeName>SB</ccts:CodeName>
        <ccts:CodeDescription/>
      </xsd:documentation>
    </xsd:annotation>
  </xsd:enumeration>
  <xsd:enumeration value="VU">
    <xsd:annotation>
      <xsd:documentation xml:lang="en">
        <ccts:CodeName>VU</ccts:CodeName>

```

```

        <ccts:CodeDescription/>
      </xsd:documentation>
    </xsd:annotation>
  </xsd:enumeration>
  <xsd:enumeration value="BT">
    <xsd:annotation>
      <xsd:documentation xml:lang="en">
        <ccts:CodeName>BT</ccts:CodeName>
        <ccts:CodeDescription/>
      </xsd:documentation>
    </xsd:annotation>
  </xsd:enumeration>
  <xsd:enumeration value="CY">
    <xsd:annotation>
      <xsd:documentation xml:lang="en">
        <ccts:CodeName>CY</ccts:CodeName>
        <ccts:CodeDescription/>
      </xsd:documentation>
    </xsd:annotation>
  </xsd:enumeration>
  <xsd:enumeration value="GU">
    <xsd:annotation>
      <xsd:documentation xml:lang="en">
        <ccts:CodeName>GU</ccts:CodeName>
        <ccts:CodeDescription/>
      </xsd:documentation>
    </xsd:annotation>
  </xsd:enumeration>
  <xsd:enumeration value="LS">
    <xsd:annotation>
      <xsd:documentation xml:lang="en">
        <ccts:CodeName>LS</ccts:CodeName>
        <ccts:CodeDescription/>
      </xsd:documentation>
    </xsd:annotation>
  </xsd:enumeration>
  <xsd:enumeration value="NZ">
    <xsd:annotation>
      <xsd:documentation xml:lang="en">
        <ccts:CodeName>NZ</ccts:CodeName>
        <ccts:CodeDescription/>
      </xsd:documentation>
    </xsd:annotation>
  </xsd:enumeration>
  <xsd:enumeration value="SO">
    <xsd:annotation>
      <xsd:documentation xml:lang="en">
        <ccts:CodeName>SO</ccts:CodeName>
        <ccts:CodeDescription/>
      </xsd:documentation>
    </xsd:annotation>
  </xsd:enumeration>
  <xsd:enumeration value="VE">
    <xsd:annotation>
      <xsd:documentation xml:lang="en">
        <ccts:CodeName>VE</ccts:CodeName>
        <ccts:CodeDescription/>
      </xsd:documentation>
    </xsd:annotation>
  </xsd:enumeration>
  <xsd:enumeration value="BO">
    <xsd:annotation>
      <xsd:documentation xml:lang="en">
        <ccts:CodeName>BO</ccts:CodeName>
        <ccts:CodeDescription/>
      </xsd:documentation>
    </xsd:annotation>
  </xsd:enumeration>
  <xsd:enumeration value="CZ">
    <xsd:annotation>
      <xsd:documentation xml:lang="en">
        <ccts:CodeName>CZ</ccts:CodeName>
        <ccts:CodeDescription/>
      </xsd:documentation>
    </xsd:annotation>
  </xsd:enumeration>
  <xsd:enumeration value="GT">
    <xsd:annotation>
      <xsd:documentation xml:lang="en">

```



```

                <ccts:CodeName>GT</ccts:CodeName>
                <ccts:CodeDescription/>
            </xsd:documentation>
        </xsd:annotation>
    </xsd:enumeration>
    <xsd:enumeration value="LR">
        <xsd:annotation>
            <xsd:documentation xml:lang="en">
                <ccts:CodeName>LR</ccts:CodeName>
                <ccts:CodeDescription/>
            </xsd:documentation>
        </xsd:annotation>
    </xsd:enumeration>
    <xsd:enumeration value="NI">
        <xsd:annotation>
            <xsd:documentation xml:lang="en">
                <ccts:CodeName>NI</ccts:CodeName>
                <ccts:CodeDescription/>
            </xsd:documentation>
        </xsd:annotation>
    </xsd:enumeration>
    <xsd:enumeration value="VN">
        <xsd:annotation>
            <xsd:documentation xml:lang="en">
                <ccts:CodeName>VN</ccts:CodeName>
                <ccts:CodeDescription/>
            </xsd:documentation>
        </xsd:annotation>
    </xsd:enumeration>
    <xsd:enumeration value="ZA">
        <xsd:annotation>
            <xsd:documentation xml:lang="en">
                <ccts:CodeName>ZA</ccts:CodeName>
                <ccts:CodeDescription/>
            </xsd:documentation>
        </xsd:annotation>
    </xsd:enumeration>
    <xsd:enumeration value="BA">
        <xsd:annotation>
            <xsd:documentation xml:lang="en">
                <ccts:CodeName>BA</ccts:CodeName>
                <ccts:CodeDescription/>
            </xsd:documentation>
        </xsd:annotation>
    </xsd:enumeration>
    <xsd:enumeration value="DK">
        <xsd:annotation>
            <xsd:documentation xml:lang="en">
                <ccts:CodeName>DK</ccts:CodeName>
                <ccts:CodeDescription/>
            </xsd:documentation>
        </xsd:annotation>
    </xsd:enumeration>
    <xsd:enumeration value="GG">
        <xsd:annotation>
            <xsd:documentation xml:lang="en">
                <ccts:CodeName>GG</ccts:CodeName>
                <ccts:CodeDescription/>
            </xsd:documentation>
        </xsd:annotation>
    </xsd:enumeration>
    <xsd:enumeration value="GS">
        <xsd:annotation>
            <xsd:documentation xml:lang="en">
                <ccts:CodeName>GS</ccts:CodeName>
                <ccts:CodeDescription/>
            </xsd:documentation>
        </xsd:annotation>
    </xsd:enumeration>
    <xsd:enumeration value="LY">
        <xsd:annotation>
            <xsd:documentation xml:lang="en">
                <ccts:CodeName>LY</ccts:CodeName>
                <ccts:CodeDescription/>
            </xsd:documentation>
        </xsd:annotation>
    </xsd:enumeration>
    <xsd:enumeration value="NE">
        <xsd:annotation>

```

```

        <xsd:documentation xml:lang="en">
            <ccts:CodeName>NE</ccts:CodeName>
            <ccts:CodeDescription/>
        </xsd:documentation>
    </xsd:annotation>
</xsd:enumeration>
<xsd:enumeration value="VG">
    <xsd:annotation>
        <xsd:documentation xml:lang="en">
            <ccts:CodeName>VG</ccts:CodeName>
            <ccts:CodeDescription/>
        </xsd:documentation>
    </xsd:annotation>
</xsd:enumeration>
<xsd:enumeration value="BW">
    <xsd:annotation>
        <xsd:documentation xml:lang="en">
            <ccts:CodeName>BW</ccts:CodeName>
            <ccts:CodeDescription/>
        </xsd:documentation>
    </xsd:annotation>
</xsd:enumeration>
<xsd:enumeration value="DJ">
    <xsd:annotation>
        <xsd:documentation xml:lang="en">
            <ccts:CodeName>DJ</ccts:CodeName>
            <ccts:CodeDescription/>
        </xsd:documentation>
    </xsd:annotation>
</xsd:enumeration>
<xsd:enumeration value="ES">
    <xsd:annotation>
        <xsd:documentation xml:lang="en">
            <ccts:CodeName>ES</ccts:CodeName>
            <ccts:CodeDescription/>
        </xsd:documentation>
    </xsd:annotation>
</xsd:enumeration>
<xsd:enumeration value="GN">
    <xsd:annotation>
        <xsd:documentation xml:lang="en">
            <ccts:CodeName>GN</ccts:CodeName>
            <ccts:CodeDescription/>
        </xsd:documentation>
    </xsd:annotation>
</xsd:enumeration>
<xsd:enumeration value="LI">
    <xsd:annotation>
        <xsd:documentation xml:lang="en">
            <ccts:CodeName>LI</ccts:CodeName>
            <ccts:CodeDescription/>
        </xsd:documentation>
    </xsd:annotation>
</xsd:enumeration>
<xsd:enumeration value="NG">
    <xsd:annotation>
        <xsd:documentation xml:lang="en">
            <ccts:CodeName>NG</ccts:CodeName>
            <ccts:CodeDescription/>
        </xsd:documentation>
    </xsd:annotation>
</xsd:enumeration>
<xsd:enumeration value="VI">
    <xsd:annotation>
        <xsd:documentation xml:lang="en">
            <ccts:CodeName>VI</ccts:CodeName>
            <ccts:CodeDescription/>
        </xsd:documentation>
    </xsd:annotation>
</xsd:enumeration>
<xsd:enumeration value="BV">
    <xsd:annotation>
        <xsd:documentation xml:lang="en">
            <ccts:CodeName>BV</ccts:CodeName>
            <ccts:CodeDescription/>
        </xsd:documentation>
    </xsd:annotation>
</xsd:enumeration>
<xsd:enumeration value="DM">

```

```

        <xsd:documentation xml:lang="en">
          <ccts:CodeName>DM</ccts:CodeName>
          <ccts:CodeDescription/>
        </xsd:documentation>
      </xsd:annotation>
    </xsd:enumeration>
    <xsd:enumeration value="GW">
      <xsd:documentation xml:lang="en">
        <ccts:CodeName>GW</ccts:CodeName>
        <ccts:CodeDescription/>
      </xsd:documentation>
    </xsd:annotation>
  </xsd:enumeration>
  <xsd:enumeration value="LK">
    <xsd:documentation xml:lang="en">
      <ccts:CodeName>LK</ccts:CodeName>
      <ccts:CodeDescription/>
    </xsd:documentation>
  </xsd:annotation>
</xsd:enumeration>
<xsd:enumeration value="LT">
  <xsd:documentation xml:lang="en">
    <ccts:CodeName>LT</ccts:CodeName>
    <ccts:CodeDescription/>
  </xsd:documentation>
</xsd:annotation>
</xsd:enumeration>
<xsd:enumeration value="NU">
  <xsd:documentation xml:lang="en">
    <ccts:CodeName>NU</ccts:CodeName>
    <ccts:CodeDescription/>
  </xsd:documentation>
</xsd:annotation>
</xsd:enumeration>
<xsd:enumeration value="WF">
  <xsd:documentation xml:lang="en">
    <ccts:CodeName>WF</ccts:CodeName>
    <ccts:CodeDescription/>
  </xsd:documentation>
</xsd:annotation>
</xsd:enumeration>
<xsd:enumeration value="BR">
  <xsd:documentation xml:lang="en">
    <ccts:CodeName>BR</ccts:CodeName>
    <ccts:CodeDescription/>
  </xsd:documentation>
</xsd:annotation>
</xsd:enumeration>
<xsd:enumeration value="DO">
  <xsd:documentation xml:lang="en">
    <ccts:CodeName>DO</ccts:CodeName>
    <ccts:CodeDescription/>
  </xsd:documentation>
</xsd:annotation>
</xsd:enumeration>
<xsd:enumeration value="EH">
  <xsd:documentation xml:lang="en">
    <ccts:CodeName>EH</ccts:CodeName>
    <ccts:CodeDescription/>
  </xsd:documentation>
</xsd:annotation>
</xsd:enumeration>
<xsd:enumeration value="GY">
  <xsd:documentation xml:lang="en">
    <ccts:CodeName>GY</ccts:CodeName>
    <ccts:CodeDescription/>
  </xsd:documentation>
</xsd:annotation>
</xsd:enumeration>

```

```

<xsd:enumeration value="LU">
  <xsd:annotation>
    <xsd:documentation xml:lang="en">
      <ccts:CodeName>LU</ccts:CodeName>
      <ccts:CodeDescription/>
    </xsd:documentation>
  </xsd:annotation>
</xsd:enumeration>
<xsd:enumeration value="NF">
  <xsd:annotation>
    <xsd:documentation xml:lang="en">
      <ccts:CodeName>NF</ccts:CodeName>
      <ccts:CodeDescription/>
    </xsd:documentation>
  </xsd:annotation>
</xsd:enumeration>
<xsd:enumeration value="SD">
  <xsd:annotation>
    <xsd:documentation xml:lang="en">
      <ccts:CodeName>SD</ccts:CodeName>
      <ccts:CodeDescription/>
    </xsd:documentation>
  </xsd:annotation>
</xsd:enumeration>
<xsd:enumeration value="HT">
  <xsd:annotation>
    <xsd:documentation xml:lang="en">
      <ccts:CodeName>HT</ccts:CodeName>
      <ccts:CodeDescription/>
    </xsd:documentation>
  </xsd:annotation>
</xsd:enumeration>
<xsd:enumeration value="MO">
  <xsd:annotation>
    <xsd:documentation xml:lang="en">
      <ccts:CodeName>MO</ccts:CodeName>
      <ccts:CodeDescription/>
    </xsd:documentation>
  </xsd:annotation>
</xsd:enumeration>
<xsd:enumeration value="MP">
  <xsd:annotation>
    <xsd:documentation xml:lang="en">
      <ccts:CodeName>MP</ccts:CodeName>
      <ccts:CodeDescription/>
    </xsd:documentation>
  </xsd:annotation>
</xsd:enumeration>
<xsd:enumeration value="SR">
  <xsd:annotation>
    <xsd:documentation xml:lang="en">
      <ccts:CodeName>SR</ccts:CodeName>
      <ccts:CodeDescription/>
    </xsd:documentation>
  </xsd:annotation>
</xsd:enumeration>
<xsd:enumeration value="YE">
  <xsd:annotation>
    <xsd:documentation xml:lang="en">
      <ccts:CodeName>YE</ccts:CodeName>
      <ccts:CodeDescription/>
    </xsd:documentation>
  </xsd:annotation>
</xsd:enumeration>
<xsd:enumeration value="HM">
  <xsd:annotation>
    <xsd:documentation xml:lang="en">
      <ccts:CodeName>HM</ccts:CodeName>
      <ccts:CodeDescription/>
    </xsd:documentation>
  </xsd:annotation>
</xsd:enumeration>
<xsd:enumeration value="MK">
  <xsd:annotation>
    <xsd:documentation xml:lang="en">
      <ccts:CodeName>MK</ccts:CodeName>
      <ccts:CodeDescription/>
    </xsd:documentation>
  </xsd:annotation>
</xsd:enumeration>

```

```

</xsd:enumeration>
<xsd:enumeration value="NO">
  <xsd:annotation>
    <xsd:documentation xml:lang="en">
      <ccts:CodeName>NO</ccts:CodeName>
      <ccts:CodeDescription/>
    </xsd:documentation>
  </xsd:annotation>
</xsd:enumeration>
<xsd:enumeration value="SJ">
  <xsd:annotation>
    <xsd:documentation xml:lang="en">
      <ccts:CodeName>SJ</ccts:CodeName>
      <ccts:CodeDescription/>
    </xsd:documentation>
  </xsd:annotation>
</xsd:enumeration>
<xsd:enumeration value="ZM">
  <xsd:annotation>
    <xsd:documentation xml:lang="en">
      <ccts:CodeName>ZM</ccts:CodeName>
      <ccts:CodeDescription/>
    </xsd:documentation>
  </xsd:annotation>
</xsd:enumeration>
<xsd:enumeration value="MG">
  <xsd:annotation>
    <xsd:documentation xml:lang="en">
      <ccts:CodeName>MG</ccts:CodeName>
      <ccts:CodeDescription/>
    </xsd:documentation>
  </xsd:annotation>
</xsd:enumeration>
<xsd:enumeration value="OM">
  <xsd:annotation>
    <xsd:documentation xml:lang="en">
      <ccts:CodeName>OM</ccts:CodeName>
      <ccts:CodeDescription/>
    </xsd:documentation>
  </xsd:annotation>
</xsd:enumeration>
<xsd:enumeration value="SZ">
  <xsd:annotation>
    <xsd:documentation xml:lang="en">
      <ccts:CodeName>SZ</ccts:CodeName>
      <ccts:CodeDescription/>
    </xsd:documentation>
  </xsd:annotation>
</xsd:enumeration>
<xsd:enumeration value="VA">
  <xsd:annotation>
    <xsd:documentation xml:lang="en">
      <ccts:CodeName>VA</ccts:CodeName>
      <ccts:CodeDescription/>
    </xsd:documentation>
  </xsd:annotation>
</xsd:enumeration>
<xsd:enumeration value="ZW">
  <xsd:annotation>
    <xsd:documentation xml:lang="en">
      <ccts:CodeName>ZW</ccts:CodeName>
      <ccts:CodeDescription/>
    </xsd:documentation>
  </xsd:annotation>
</xsd:enumeration>
<xsd:enumeration value="HN">
  <xsd:annotation>
    <xsd:documentation xml:lang="en">
      <ccts:CodeName>HN</ccts:CodeName>
      <ccts:CodeDescription/>
    </xsd:documentation>
  </xsd:annotation>
</xsd:enumeration>
<xsd:enumeration value="MW">
  <xsd:annotation>
    <xsd:documentation xml:lang="en">
      <ccts:CodeName>MW</ccts:CodeName>
      <ccts:CodeDescription/>
    </xsd:documentation>
  </xsd:annotation>
</xsd:enumeration>

```

```

        </xsd:annotation>
    </xsd:enumeration>
    <xsd:enumeration value="PK">
        <xsd:annotation>
            <xsd:documentation xml:lang="en">
                <ccts:CodeName>PK</ccts:CodeName>
                <ccts:CodeDescription/>
            </xsd:documentation>
        </xsd:annotation>
    </xsd:enumeration>
    <xsd:enumeration value="SE">
        <xsd:annotation>
            <xsd:documentation xml:lang="en">
                <ccts:CodeName>SE</ccts:CodeName>
                <ccts:CodeDescription/>
            </xsd:documentation>
        </xsd:annotation>
    </xsd:enumeration>
    <xsd:enumeration value="PW">
        <xsd:annotation>
            <xsd:documentation xml:lang="en">
                <ccts:CodeName>PW</ccts:CodeName>
                <ccts:CodeDescription/>
            </xsd:documentation>
        </xsd:annotation>
    </xsd:enumeration>
</xsd:restriction>
</xsd:simpleType>
<xsd:simpleType name="LevelTypeType">
    <xsd:restriction base="xsd:token">
        <xsd:enumeration value="B">
            <xsd:annotation>
                <xsd:documentation xml:lang="en">
                    <ccts:CodeName>B</ccts:CodeName>
                    <ccts:CodeDescription>Basement</ccts:CodeDescription>
                </xsd:documentation>
            </xsd:annotation>
        </xsd:enumeration>
        <xsd:enumeration value="P">
            <xsd:annotation>
                <xsd:documentation xml:lang="en">
                    <ccts:CodeName>P</ccts:CodeName>
                    <ccts:CodeDescription>Plaza</ccts:CodeDescription>
                </xsd:documentation>
            </xsd:annotation>
        </xsd:enumeration>
        <xsd:enumeration value="FL">
            <xsd:annotation>
                <xsd:documentation xml:lang="en">
                    <ccts:CodeName>FL</ccts:CodeName>
                    <ccts:CodeDescription>Floor</ccts:CodeDescription>
                </xsd:documentation>
            </xsd:annotation>
        </xsd:enumeration>
        <xsd:enumeration value="G">
            <xsd:annotation>
                <xsd:documentation xml:lang="en">
                    <ccts:CodeName>G</ccts:CodeName>
                    <ccts:CodeDescription>Ground floor</ccts:CodeDescription>
                </xsd:documentation>
            </xsd:annotation>
        </xsd:enumeration>
        <xsd:enumeration value="L">
            <xsd:annotation>
                <xsd:documentation xml:lang="en">
                    <ccts:CodeName>L</ccts:CodeName>
                    <ccts:CodeDescription>Level</ccts:CodeDescription>
                </xsd:documentation>
            </xsd:annotation>
        </xsd:enumeration>
        <xsd:enumeration value="LG">
            <xsd:annotation>
                <xsd:documentation xml:lang="en">
                    <ccts:CodeName>LG</ccts:CodeName>
                    <ccts:CodeDescription>Lower ground floor</ccts:CodeDescription>
                </xsd:documentation>
            </xsd:annotation>
        </xsd:enumeration>
        <xsd:enumeration value="M">

```

```

        <xsd:annotation>
          <xsd:documentation xml:lang="en">
            <ccts:CodeName>M</ccts:CodeName>
            <ccts:CodeDescription>Mezzanine</ccts:CodeDescription>
          </xsd:documentation>
        </xsd:annotation>
      </xsd:enumeration>
    <xsd:enumeration value="UG">
      <xsd:annotation>
        <xsd:documentation xml:lang="en">
          <ccts:CodeName>UG</ccts:CodeName>
          <ccts:CodeDescription>Upper ground floor</ccts:CodeDescription>
        </xsd:documentation>
      </xsd:annotation>
    </xsd:enumeration>
  </xsd:restriction>
</xsd:simpleType>
<xsd:simpleType name="StreetTypeType">
  <xsd:restriction base="xsd:token">
    <xsd:enumeration value="AVE">
      <xsd:annotation>
        <xsd:documentation xml:lang="en">
          <ccts:CodeName>AVE</ccts:CodeName>
          <ccts:CodeDescription>Avenue</ccts:CodeDescription>
        </xsd:documentation>
      </xsd:annotation>
    </xsd:enumeration>
    <xsd:enumeration value="ART">
      <xsd:annotation>
        <xsd:documentation xml:lang="en">
          <ccts:CodeName>ART</ccts:CodeName>
          <ccts:CodeDescription>Artery</ccts:CodeDescription>
        </xsd:documentation>
      </xsd:annotation>
    </xsd:enumeration>
    <xsd:enumeration value="ARC">
      <xsd:annotation>
        <xsd:documentation xml:lang="en">
          <ccts:CodeName>ARC</ccts:CodeName>
          <ccts:CodeDescription>Arcade</ccts:CodeDescription>
        </xsd:documentation>
      </xsd:annotation>
    </xsd:enumeration>
    <xsd:enumeration value="AYYS">
      <xsd:annotation>
        <xsd:documentation xml:lang="en">
          <ccts:CodeName>AYYS</ccts:CodeName>
          <ccts:CodeDescription>Access</ccts:CodeDescription>
        </xsd:documentation>
      </xsd:annotation>
    </xsd:enumeration>
    <xsd:enumeration value="APP">
      <xsd:annotation>
        <xsd:documentation xml:lang="en">
          <ccts:CodeName>APP</ccts:CodeName>
          <ccts:CodeDescription>Approach</ccts:CodeDescription>
        </xsd:documentation>
      </xsd:annotation>
    </xsd:enumeration>
    <xsd:enumeration value="BASN">
      <xsd:annotation>
        <xsd:documentation xml:lang="en">
          <ccts:CodeName>BASN</ccts:CodeName>
          <ccts:CodeDescription>Basin</ccts:CodeDescription>
        </xsd:documentation>
      </xsd:annotation>
    </xsd:enumeration>
    <xsd:enumeration value="BCH">
      <xsd:annotation>
        <xsd:documentation xml:lang="en">
          <ccts:CodeName>BCH</ccts:CodeName>
          <ccts:CodeDescription>Beach</ccts:CodeDescription>
        </xsd:documentation>
      </xsd:annotation>
    </xsd:enumeration>
    <xsd:enumeration value="BYPA">
      <xsd:annotation>
        <xsd:documentation xml:lang="en">
          <ccts:CodeName>BYPA</ccts:CodeName>
        </xsd:documentation>
      </xsd:annotation>
    </xsd:enumeration>
  </xsd:restriction>
</xsd:simpleType>

```

```

        <ccts:CodeDescription>Bypass</ccts:CodeDescription>
      </xsd:documentation>
    </xsd:annotation>
  </xsd:enumeration>
  <xsd:enumeration value="BYWY">
    <xsd:annotation>
      <xsd:documentation xml:lang="en">
        <ccts:CodeName>BYWY</ccts:CodeName>
        <ccts:CodeDescription>Byway</ccts:CodeDescription>
      </xsd:documentation>
    </xsd:annotation>
  </xsd:enumeration>
  <xsd:enumeration value="BDWY">
    <xsd:annotation>
      <xsd:documentation xml:lang="en">
        <ccts:CodeName>BDWY</ccts:CodeName>
        <ccts:CodeDescription>Broadway</ccts:CodeDescription>
      </xsd:documentation>
    </xsd:annotation>
  </xsd:enumeration>
  <xsd:enumeration value="BROW">
    <xsd:annotation>
      <xsd:documentation xml:lang="en">
        <ccts:CodeName>BROW</ccts:CodeName>
        <ccts:CodeDescription>Brow</ccts:CodeDescription>
      </xsd:documentation>
    </xsd:annotation>
  </xsd:enumeration>
  <xsd:enumeration value="BDGE">
    <xsd:annotation>
      <xsd:documentation xml:lang="en">
        <ccts:CodeName>BDGE</ccts:CodeName>
        <ccts:CodeDescription>Bridge</ccts:CodeDescription>
      </xsd:documentation>
    </xsd:annotation>
  </xsd:enumeration>
  <xsd:enumeration value="BRK">
    <xsd:annotation>
      <xsd:documentation xml:lang="en">
        <ccts:CodeName>BRK</ccts:CodeName>
        <ccts:CodeDescription>Break</ccts:CodeDescription>
      </xsd:documentation>
    </xsd:annotation>
  </xsd:enumeration>
  <xsd:enumeration value="BRAE">
    <xsd:annotation>
      <xsd:documentation xml:lang="en">
        <ccts:CodeName>BRAE</ccts:CodeName>
        <ccts:CodeDescription>Brae</ccts:CodeDescription>
      </xsd:documentation>
    </xsd:annotation>
  </xsd:enumeration>
  <xsd:enumeration value="BRCE">
    <xsd:annotation>
      <xsd:documentation xml:lang="en">
        <ccts:CodeName>BRCE</ccts:CodeName>
        <ccts:CodeDescription>Brace</ccts:CodeDescription>
      </xsd:documentation>
    </xsd:annotation>
  </xsd:enumeration>
  <xsd:enumeration value="BVD">
    <xsd:annotation>
      <xsd:documentation xml:lang="en">
        <ccts:CodeName>BVD</ccts:CodeName>
        <ccts:CodeDescription>Boulevard</ccts:CodeDescription>
      </xsd:documentation>
    </xsd:annotation>
  </xsd:enumeration>
  <xsd:enumeration value="BEND">
    <xsd:annotation>
      <xsd:documentation xml:lang="en">
        <ccts:CodeName>BEND</ccts:CodeName>
        <ccts:CodeDescription>Bend</ccts:CodeDescription>
      </xsd:documentation>
    </xsd:annotation>
  </xsd:enumeration>
  <xsd:enumeration value="BLK">
    <xsd:annotation>
      <xsd:documentation xml:lang="en">

```



```

                <ccts:CodeName>BLK</ccts:CodeName>
                <ccts:CodeDescription>Block</ccts:CodeDescription>
            </xsd:documentation>
        </xsd:annotation>
    </xsd:enumeration>
</xsd:enumeration value="CAUS">
    <xsd:annotation>
        <xsd:documentation xml:lang="en">
            <ccts:CodeName>CAUS</ccts:CodeName>
            <ccts:CodeDescription>Causeway</ccts:CodeDescription>
        </xsd:documentation>
    </xsd:annotation>
</xsd:enumeration>
</xsd:enumeration value="CTTG">
    <xsd:annotation>
        <xsd:documentation xml:lang="en">
            <ccts:CodeName>CTTG</ccts:CodeName>
            <ccts:CodeDescription>Cutting</ccts:CodeDescription>
        </xsd:documentation>
    </xsd:annotation>
</xsd:enumeration>
</xsd:enumeration value="CDS">
    <xsd:annotation>
        <xsd:documentation xml:lang="en">
            <ccts:CodeName>CDS</ccts:CodeName>
            <ccts:CodeDescription>Cul-de-sac</ccts:CodeDescription>
        </xsd:documentation>
    </xsd:annotation>
</xsd:enumeration>
</xsd:enumeration value="CUWY">
    <xsd:annotation>
        <xsd:documentation xml:lang="en">
            <ccts:CodeName>CUWY</ccts:CodeName>
            <ccts:CodeDescription>Cruiseway</ccts:CodeDescription>
        </xsd:documentation>
    </xsd:annotation>
</xsd:enumeration>
</xsd:enumeration value="COWY">
    <xsd:annotation>
        <xsd:documentation xml:lang="en">
            <ccts:CodeName>COWY</ccts:CodeName>
            <ccts:CodeDescription>Crossway</ccts:CodeDescription>
        </xsd:documentation>
    </xsd:annotation>
</xsd:enumeration>
</xsd:enumeration value="CRD">
    <xsd:annotation>
        <xsd:documentation xml:lang="en">
            <ccts:CodeName>CRD</ccts:CodeName>
            <ccts:CodeDescription>Crossroad</ccts:CodeDescription>
        </xsd:documentation>
    </xsd:annotation>
</xsd:enumeration>
</xsd:enumeration value="CRSG">
    <xsd:annotation>
        <xsd:documentation xml:lang="en">
            <ccts:CodeName>CRSG</ccts:CodeName>
            <ccts:CodeDescription>Crossing</ccts:CodeDescription>
        </xsd:documentation>
    </xsd:annotation>
</xsd:enumeration>
</xsd:enumeration value="CRSS">
    <xsd:annotation>
        <xsd:documentation xml:lang="en">
            <ccts:CodeName>CRSS</ccts:CodeName>
            <ccts:CodeDescription>Cross</ccts:CodeDescription>
        </xsd:documentation>
    </xsd:annotation>
</xsd:enumeration>
</xsd:enumeration value="CRES">
    <xsd:annotation>
        <xsd:documentation xml:lang="en">
            <ccts:CodeName>CRES</ccts:CodeName>
            <ccts:CodeDescription>Crescent</ccts:CodeDescription>
        </xsd:documentation>
    </xsd:annotation>
</xsd:enumeration>
</xsd:enumeration value="CRST">
    <xsd:annotation>

```

```

        <xsd:documentation xml:lang="en">
            <ccts:CodeName>CRST</ccts:CodeName>
            <ccts:CodeDescription>Crest</ccts:CodeDescription>
        </xsd:documentation>
    </xsd:annotation>
</xsd:enumeration>
<xsd:enumeration value="COVE">
    <xsd:annotation>
        <xsd:documentation xml:lang="en">
            <ccts:CodeName>COVE</ccts:CodeName>
            <ccts:CodeDescription>Cove</ccts:CodeDescription>
        </xsd:documentation>
    </xsd:annotation>
</xsd:enumeration>
<xsd:enumeration value="CTYD">
    <xsd:annotation>
        <xsd:documentation xml:lang="en">
            <ccts:CodeName>CTYD</ccts:CodeName>
            <ccts:CodeDescription>Courtyard</ccts:CodeDescription>
        </xsd:documentation>
    </xsd:annotation>
</xsd:enumeration>
<xsd:enumeration value="CSO">
    <xsd:annotation>
        <xsd:documentation xml:lang="en">
            <ccts:CodeName>CSO</ccts:CodeName>
            <ccts:CodeDescription>Corso</ccts:CodeDescription>
        </xsd:documentation>
    </xsd:annotation>
</xsd:enumeration>
<xsd:enumeration value="CT">
    <xsd:annotation>
        <xsd:documentation xml:lang="en">
            <ccts:CodeName>CT</ccts:CodeName>
            <ccts:CodeDescription>Court</ccts:CodeDescription>
        </xsd:documentation>
    </xsd:annotation>
</xsd:enumeration>
<xsd:enumeration value="CNR">
    <xsd:annotation>
        <xsd:documentation xml:lang="en">
            <ccts:CodeName>CNR</ccts:CodeName>
            <ccts:CodeDescription>Corner</ccts:CodeDescription>
        </xsd:documentation>
    </xsd:annotation>
</xsd:enumeration>
<xsd:enumeration value="ALLY">
    <xsd:annotation>
        <xsd:documentation xml:lang="en">
            <ccts:CodeName>ALLY</ccts:CodeName>
            <ccts:CodeDescription>Alley</ccts:CodeDescription>
        </xsd:documentation>
    </xsd:annotation>
</xsd:enumeration>
<xsd:enumeration value="ANCG">
    <xsd:annotation>
        <xsd:documentation xml:lang="en">
            <ccts:CodeName>ANCG</ccts:CodeName>
            <ccts:CodeDescription>Anchorage</ccts:CodeDescription>
        </xsd:documentation>
    </xsd:annotation>
</xsd:enumeration>
<xsd:enumeration value="ALWY">
    <xsd:annotation>
        <xsd:documentation xml:lang="en">
            <ccts:CodeName>ALWY</ccts:CodeName>
            <ccts:CodeDescription>Alleyway</ccts:CodeDescription>
        </xsd:documentation>
    </xsd:annotation>
</xsd:enumeration>
<xsd:enumeration value="AMBL">
    <xsd:annotation>
        <xsd:documentation xml:lang="en">
            <ccts:CodeName>AMBL</ccts:CodeName>
            <ccts:CodeDescription>Amble</ccts:CodeDescription>
        </xsd:documentation>
    </xsd:annotation>
</xsd:enumeration>
<xsd:enumeration value="CPS">

```

```

        <xsd:documentation xml:lang="en">
          <ccts:CodeName>CPS</ccts:CodeName>
          <ccts:CodeDescription>Copse</ccts:CodeDescription>
        </xsd:documentation>
      </xsd:annotation>
    </xsd:enumeration>
    <xsd:enumeration value="CMMN">
      <xsd:documentation xml:lang="en">
        <ccts:CodeName>CMMN</ccts:CodeName>
        <ccts:CodeDescription>Common</ccts:CodeDescription>
      </xsd:documentation>
    </xsd:annotation>
  </xsd:enumeration>
  <xsd:enumeration value="CON">
    <xsd:documentation xml:lang="en">
      <ccts:CodeName>CON</ccts:CodeName>
      <ccts:CodeDescription>Concourse</ccts:CodeDescription>
    </xsd:documentation>
  </xsd:annotation>
</xsd:enumeration>
<xsd:enumeration value="CL">
  <xsd:documentation xml:lang="en">
    <ccts:CodeName>CL</ccts:CodeName>
    <ccts:CodeDescription>Close</ccts:CodeDescription>
  </xsd:documentation>
</xsd:annotation>
</xsd:enumeration>
<xsd:enumeration value="CLDE">
  <xsd:documentation xml:lang="en">
    <ccts:CodeName>CLDE</ccts:CodeName>
    <ccts:CodeDescription>Colonnade</ccts:CodeDescription>
  </xsd:documentation>
</xsd:annotation>
</xsd:enumeration>
<xsd:enumeration value="CRCS">
  <xsd:documentation xml:lang="en">
    <ccts:CodeName>CRCS</ccts:CodeName>
    <ccts:CodeDescription>Circus</ccts:CodeDescription>
  </xsd:documentation>
</xsd:annotation>
</xsd:enumeration>
<xsd:enumeration value="YYT">
  <xsd:documentation xml:lang="en">
    <ccts:CodeName>YYT</ccts:CodeName>
    <ccts:CodeDescription>Circuit</ccts:CodeDescription>
  </xsd:documentation>
</xsd:annotation>
</xsd:enumeration>
<xsd:enumeration value="CIR">
  <xsd:documentation xml:lang="en">
    <ccts:CodeName>CIR</ccts:CodeName>
    <ccts:CodeDescription>Circle</ccts:CodeDescription>
  </xsd:documentation>
</xsd:annotation>
</xsd:enumeration>
<xsd:enumeration value="CLT">
  <xsd:documentation xml:lang="en">
    <ccts:CodeName>CLT</ccts:CodeName>
    <ccts:CodeDescription>Circlet</ccts:CodeDescription>
  </xsd:documentation>
</xsd:annotation>
</xsd:enumeration>
<xsd:enumeration value="CH">
  <xsd:documentation xml:lang="en">
    <ccts:CodeName>CH</ccts:CodeName>
    <ccts:CodeDescription>Chase</ccts:CodeDescription>
  </xsd:documentation>
</xsd:annotation>
</xsd:enumeration>

```

```

<xsd:enumeration value="CNWY">
  <xsd:annotation>
    <xsd:documentation xml:lang="en">
      <ccts:CodeName>CNWY</ccts:CodeName>
      <ccts:CodeDescription>Centreway</ccts:CodeDescription>
    </xsd:documentation>
  </xsd:annotation>
</xsd:enumeration>
<xsd:enumeration value="CTR">
  <xsd:annotation>
    <xsd:documentation xml:lang="en">
      <ccts:CodeName>CTR</ccts:CodeName>
      <ccts:CodeDescription>Centre</ccts:CodeDescription>
    </xsd:documentation>
  </xsd:annotation>
</xsd:enumeration>
<xsd:enumeration value="DALE">
  <xsd:annotation>
    <xsd:documentation xml:lang="en">
      <ccts:CodeName>DALE</ccts:CodeName>
      <ccts:CodeDescription>Dale</ccts:CodeDescription>
    </xsd:documentation>
  </xsd:annotation>
</xsd:enumeration>
<xsd:enumeration value="DELL">
  <xsd:annotation>
    <xsd:documentation xml:lang="en">
      <ccts:CodeName>DELL</ccts:CodeName>
      <ccts:CodeDescription>Dell</ccts:CodeDescription>
    </xsd:documentation>
  </xsd:annotation>
</xsd:enumeration>
<xsd:enumeration value="EXP">
  <xsd:annotation>
    <xsd:documentation xml:lang="en">
      <ccts:CodeName>EXP</ccts:CodeName>
      <ccts:CodeDescription>Expressway</ccts:CodeDescription>
    </xsd:documentation>
  </xsd:annotation>
</xsd:enumeration>
<xsd:enumeration value="EXTN">
  <xsd:annotation>
    <xsd:documentation xml:lang="en">
      <ccts:CodeName>EXTN</ccts:CodeName>
      <ccts:CodeDescription>Extension</ccts:CodeDescription>
    </xsd:documentation>
  </xsd:annotation>
</xsd:enumeration>
<xsd:enumeration value="ESP">
  <xsd:annotation>
    <xsd:documentation xml:lang="en">
      <ccts:CodeName>ESP</ccts:CodeName>
      <ccts:CodeDescription>Esplanade</ccts:CodeDescription>
    </xsd:documentation>
  </xsd:annotation>
</xsd:enumeration>
<xsd:enumeration value="EST">
  <xsd:annotation>
    <xsd:documentation xml:lang="en">
      <ccts:CodeName>EST</ccts:CodeName>
      <ccts:CodeDescription>Estate</ccts:CodeDescription>
    </xsd:documentation>
  </xsd:annotation>
</xsd:enumeration>
<xsd:enumeration value="END">
  <xsd:annotation>
    <xsd:documentation xml:lang="en">
      <ccts:CodeName>END</ccts:CodeName>
      <ccts:CodeDescription>End</ccts:CodeDescription>
    </xsd:documentation>
  </xsd:annotation>
</xsd:enumeration>
<xsd:enumeration value="ENT">
  <xsd:annotation>
    <xsd:documentation xml:lang="en">
      <ccts:CodeName>ENT</ccts:CodeName>
      <ccts:CodeDescription>Entrance</ccts:CodeDescription>
    </xsd:documentation>
  </xsd:annotation>
</xsd:enumeration>

```

```

</xsd:enumeration>
<xsd:enumeration value="EDGE">
  <xsd:annotation>
    <xsd:documentation xml:lang="en">
      <ccts:CodeName>EDGE</ccts:CodeName>
      <ccts:CodeDescription>Edge</ccts:CodeDescription>
    </xsd:documentation>
  </xsd:annotation>
</xsd:enumeration>
<xsd:enumeration value="ELB">
  <xsd:annotation>
    <xsd:documentation xml:lang="en">
      <ccts:CodeName>ELB</ccts:CodeName>
      <ccts:CodeDescription>Elbow</ccts:CodeDescription>
    </xsd:documentation>
  </xsd:annotation>
</xsd:enumeration>
<xsd:enumeration value="DR">
  <xsd:annotation>
    <xsd:documentation xml:lang="en">
      <ccts:CodeName>DR</ccts:CodeName>
      <ccts:CodeDescription>Drive</ccts:CodeDescription>
    </xsd:documentation>
  </xsd:annotation>
</xsd:enumeration>
<xsd:enumeration value="DRWY">
  <xsd:annotation>
    <xsd:documentation xml:lang="en">
      <ccts:CodeName>DRWY</ccts:CodeName>
      <ccts:CodeDescription>Driveway</ccts:CodeDescription>
    </xsd:documentation>
  </xsd:annotation>
</xsd:enumeration>
<xsd:enumeration value="DIP">
  <xsd:annotation>
    <xsd:documentation xml:lang="en">
      <ccts:CodeName>DIP</ccts:CodeName>
      <ccts:CodeDescription>Dip</ccts:CodeDescription>
    </xsd:documentation>
  </xsd:annotation>
</xsd:enumeration>
<xsd:enumeration value="FRTG">
  <xsd:annotation>
    <xsd:documentation xml:lang="en">
      <ccts:CodeName>FRTG</ccts:CodeName>
      <ccts:CodeDescription>Frontage</ccts:CodeDescription>
    </xsd:documentation>
  </xsd:annotation>
</xsd:enumeration>
<xsd:enumeration value="FRNT">
  <xsd:annotation>
    <xsd:documentation xml:lang="en">
      <ccts:CodeName>FRNT</ccts:CodeName>
      <ccts:CodeDescription>Front</ccts:CodeDescription>
    </xsd:documentation>
  </xsd:annotation>
</xsd:enumeration>
<xsd:enumeration value="FWY">
  <xsd:annotation>
    <xsd:documentation xml:lang="en">
      <ccts:CodeName>FWY</ccts:CodeName>
      <ccts:CodeDescription>Freeway</ccts:CodeDescription>
    </xsd:documentation>
  </xsd:annotation>
</xsd:enumeration>
<xsd:enumeration value="FORM">
  <xsd:annotation>
    <xsd:documentation xml:lang="en">
      <ccts:CodeName>FORM</ccts:CodeName>
      <ccts:CodeDescription>Formation</ccts:CodeDescription>
    </xsd:documentation>
  </xsd:annotation>
</xsd:enumeration>
<xsd:enumeration value="FSHR">
  <xsd:annotation>
    <xsd:documentation xml:lang="en">
      <ccts:CodeName>FSHR</ccts:CodeName>
      <ccts:CodeDescription>Foreshore</ccts:CodeDescription>
    </xsd:documentation>
  </xsd:annotation>
</xsd:enumeration>

```

```

        </xsd:annotation>
</xsd:enumeration>
<xsd:enumeration value="DEVN">
  <xsd:annotation>
    <xsd:documentation xml:lang="en">
      <ccts:CodeName>DEVN</ccts:CodeName>
      <ccts:CodeDescription>Deviation</ccts:CodeDescription>
    </xsd:documentation>
  </xsd:annotation>
</xsd:enumeration>
<xsd:enumeration value="FOLW">
  <xsd:annotation>
    <xsd:documentation xml:lang="en">
      <ccts:CodeName>FOLW</ccts:CodeName>
      <ccts:CodeDescription>Follow</ccts:CodeDescription>
    </xsd:documentation>
  </xsd:annotation>
</xsd:enumeration>
<xsd:enumeration value="DSTR">
  <xsd:annotation>
    <xsd:documentation xml:lang="en">
      <ccts:CodeName>DSTR</ccts:CodeName>
      <ccts:CodeDescription>Distributor</ccts:CodeDescription>
    </xsd:documentation>
  </xsd:annotation>
</xsd:enumeration>
<xsd:enumeration value="FAWY">
  <xsd:annotation>
    <xsd:documentation xml:lang="en">
      <ccts:CodeName>FAWY</ccts:CodeName>
      <ccts:CodeDescription>Fairway</ccts:CodeDescription>
    </xsd:documentation>
  </xsd:annotation>
</xsd:enumeration>
<xsd:enumeration value="FTWY">
  <xsd:annotation>
    <xsd:documentation xml:lang="en">
      <ccts:CodeName>FTWY</ccts:CodeName>
      <ccts:CodeDescription>Footway</ccts:CodeDescription>
    </xsd:documentation>
  </xsd:annotation>
</xsd:enumeration>
<xsd:enumeration value="FITR">
  <xsd:annotation>
    <xsd:documentation xml:lang="en">
      <ccts:CodeName>FITR</ccts:CodeName>
      <ccts:CodeDescription>Fire trail</ccts:CodeDescription>
    </xsd:documentation>
  </xsd:annotation>
</xsd:enumeration>
<xsd:enumeration value="FTRK">
  <xsd:annotation>
    <xsd:documentation xml:lang="en">
      <ccts:CodeName>FTRK</ccts:CodeName>
      <ccts:CodeDescription>Fire track</ccts:CodeDescription>
    </xsd:documentation>
  </xsd:annotation>
</xsd:enumeration>
<xsd:enumeration value="GLY">
  <xsd:annotation>
    <xsd:documentation xml:lang="en">
      <ccts:CodeName>GLY</ccts:CodeName>
      <ccts:CodeDescription>Gully</ccts:CodeDescription>
    </xsd:documentation>
  </xsd:annotation>
</xsd:enumeration>
<xsd:enumeration value="GR">
  <xsd:annotation>
    <xsd:documentation xml:lang="en">
      <ccts:CodeName>GR</ccts:CodeName>
      <ccts:CodeDescription>Grove</ccts:CodeDescription>
    </xsd:documentation>
  </xsd:annotation>
</xsd:enumeration>
<xsd:enumeration value="GRND">
  <xsd:annotation>
    <xsd:documentation xml:lang="en">
      <ccts:CodeName>GRND</ccts:CodeName>
      <ccts:CodeDescription>Ground</ccts:CodeDescription>
    </xsd:documentation>
  </xsd:annotation>
</xsd:enumeration>

```

```

        </xsd:documentation>
      </xsd:annotation>
    </xsd:enumeration>
  <xsd:enumeration value="GRA">
    <xsd:annotation>
      <xsd:documentation xml:lang="en">
        <ccts:CodeName>GRA</ccts:CodeName>
        <ccts:CodeDescription>Grange</ccts:CodeDescription>
      </xsd:documentation>
    </xsd:annotation>
  </xsd:enumeration>
  <xsd:enumeration value="GRN">
    <xsd:annotation>
      <xsd:documentation xml:lang="en">
        <ccts:CodeName>GRN</ccts:CodeName>
        <ccts:CodeDescription>Green</ccts:CodeDescription>
      </xsd:documentation>
    </xsd:annotation>
  </xsd:enumeration>
  <xsd:enumeration value="GLD">
    <xsd:annotation>
      <xsd:documentation xml:lang="en">
        <ccts:CodeName>GLD</ccts:CodeName>
        <ccts:CodeDescription>Glade</ccts:CodeDescription>
      </xsd:documentation>
    </xsd:annotation>
  </xsd:enumeration>
  <xsd:enumeration value="GLEN">
    <xsd:annotation>
      <xsd:documentation xml:lang="en">
        <ccts:CodeName>GLEN</ccts:CodeName>
        <ccts:CodeDescription>Glen</ccts:CodeDescription>
      </xsd:documentation>
    </xsd:annotation>
  </xsd:enumeration>
  <xsd:enumeration value="GTE">
    <xsd:annotation>
      <xsd:documentation xml:lang="en">
        <ccts:CodeName>GTE</ccts:CodeName>
        <ccts:CodeDescription>Gate</ccts:CodeDescription>
      </xsd:documentation>
    </xsd:annotation>
  </xsd:enumeration>
  <xsd:enumeration value="GTES">
    <xsd:annotation>
      <xsd:documentation xml:lang="en">
        <ccts:CodeName>GTES</ccts:CodeName>
        <ccts:CodeDescription>Gate(s)</ccts:CodeDescription>
      </xsd:documentation>
    </xsd:annotation>
  </xsd:enumeration>
  <xsd:enumeration value="GDNS">
    <xsd:annotation>
      <xsd:documentation xml:lang="en">
        <ccts:CodeName>GDNS</ccts:CodeName>
        <ccts:CodeDescription>Garden(s)</ccts:CodeDescription>
      </xsd:documentation>
    </xsd:annotation>
  </xsd:enumeration>
  <xsd:enumeration value="FLAT">
    <xsd:annotation>
      <xsd:documentation xml:lang="en">
        <ccts:CodeName>FLAT</ccts:CodeName>
        <ccts:CodeDescription>Flat</ccts:CodeDescription>
      </xsd:documentation>
    </xsd:annotation>
  </xsd:enumeration>
  <xsd:enumeration value="GAP">
    <xsd:annotation>
      <xsd:documentation xml:lang="en">
        <ccts:CodeName>GAP</ccts:CodeName>
        <ccts:CodeDescription>Gap</ccts:CodeDescription>
      </xsd:documentation>
    </xsd:annotation>
  </xsd:enumeration>
  <xsd:enumeration value="GDN">
    <xsd:annotation>
      <xsd:documentation xml:lang="en">
        <ccts:CodeName>GDN</ccts:CodeName>
      </xsd:documentation>
    </xsd:annotation>
  </xsd:enumeration>

```

```

        <ccts:CodeDescription>Garden</ccts:CodeDescription>
      </xsd:documentation>
    </xsd:annotation>
  </xsd:enumeration>
  <xsd:enumeration value="HILL">
    <xsd:annotation>
      <xsd:documentation xml:lang="en">
        <ccts:CodeName>HILL</ccts:CodeName>
        <ccts:CodeDescription>Hill</ccts:CodeDescription>
      </xsd:documentation>
    </xsd:annotation>
  </xsd:enumeration>
  <xsd:enumeration value="HRD">
    <xsd:annotation>
      <xsd:documentation xml:lang="en">
        <ccts:CodeName>HRD</ccts:CodeName>
        <ccts:CodeDescription>Highroad</ccts:CodeDescription>
      </xsd:documentation>
    </xsd:annotation>
  </xsd:enumeration>
  <xsd:enumeration value="INTG">
    <xsd:annotation>
      <xsd:documentation xml:lang="en">
        <ccts:CodeName>INTG</ccts:CodeName>
        <ccts:CodeDescription>Interchange</ccts:CodeDescription>
      </xsd:documentation>
    </xsd:annotation>
  </xsd:enumeration>
  <xsd:enumeration value="HTS">
    <xsd:annotation>
      <xsd:documentation xml:lang="en">
        <ccts:CodeName>HTS</ccts:CodeName>
        <ccts:CodeDescription>Heights</ccts:CodeDescription>
      </xsd:documentation>
    </xsd:annotation>
  </xsd:enumeration>
  <xsd:enumeration value="HWY">
    <xsd:annotation>
      <xsd:documentation xml:lang="en">
        <ccts:CodeName>HWY</ccts:CodeName>
        <ccts:CodeDescription>Highway</ccts:CodeDescription>
      </xsd:documentation>
    </xsd:annotation>
  </xsd:enumeration>
  <xsd:enumeration value="INTN">
    <xsd:annotation>
      <xsd:documentation xml:lang="en">
        <ccts:CodeName>INTN</ccts:CodeName>
        <ccts:CodeDescription>Intersection</ccts:CodeDescription>
      </xsd:documentation>
    </xsd:annotation>
  </xsd:enumeration>
  <xsd:enumeration value="JNC">
    <xsd:annotation>
      <xsd:documentation xml:lang="en">
        <ccts:CodeName>JNC</ccts:CodeName>
        <ccts:CodeDescription>Junction</ccts:CodeDescription>
      </xsd:documentation>
    </xsd:annotation>
  </xsd:enumeration>
  <xsd:enumeration value="KEY">
    <xsd:annotation>
      <xsd:documentation xml:lang="en">
        <ccts:CodeName>KEY</ccts:CodeName>
        <ccts:CodeDescription>Key</ccts:CodeDescription>
      </xsd:documentation>
    </xsd:annotation>
  </xsd:enumeration>
  <xsd:enumeration value="LANE">
    <xsd:annotation>
      <xsd:documentation xml:lang="en">
        <ccts:CodeName>LANE</ccts:CodeName>
        <ccts:CodeDescription>Lane</ccts:CodeDescription>
      </xsd:documentation>
    </xsd:annotation>
  </xsd:enumeration>
  <xsd:enumeration value="LDG">
    <xsd:annotation>
      <xsd:documentation xml:lang="en">

```



```

        <ccts:CodeName>LDG</ccts:CodeName>
        <ccts:CodeDescription>Landing</ccts:CodeDescription>
    </xsd:documentation>
</xsd:annotation>
</xsd:enumeration>
<xsd:enumeration value="LOOP">
    <xsd:annotation>
        <xsd:documentation xml:lang="en">
            <ccts:CodeName>LOOP</ccts:CodeName>
            <ccts:CodeDescription>Loop</ccts:CodeDescription>
        </xsd:documentation>
    </xsd:annotation>
</xsd:enumeration>
<xsd:enumeration value="LKT">
    <xsd:annotation>
        <xsd:documentation xml:lang="en">
            <ccts:CodeName>LKT</ccts:CodeName>
            <ccts:CodeDescription>Lookout</ccts:CodeDescription>
        </xsd:documentation>
    </xsd:annotation>
</xsd:enumeration>
<xsd:enumeration value="LWR">
    <xsd:annotation>
        <xsd:documentation xml:lang="en">
            <ccts:CodeName>LWR</ccts:CodeName>
            <ccts:CodeDescription>Lower</ccts:CodeDescription>
        </xsd:documentation>
    </xsd:annotation>
</xsd:enumeration>
<xsd:enumeration value="LT">
    <xsd:annotation>
        <xsd:documentation xml:lang="en">
            <ccts:CodeName>LT</ccts:CodeName>
            <ccts:CodeDescription>Little</ccts:CodeDescription>
        </xsd:documentation>
    </xsd:annotation>
</xsd:enumeration>
<xsd:enumeration value="LINE">
    <xsd:annotation>
        <xsd:documentation xml:lang="en">
            <ccts:CodeName>LINE</ccts:CodeName>
            <ccts:CodeDescription>Line</ccts:CodeDescription>
        </xsd:documentation>
    </xsd:annotation>
</xsd:enumeration>
<xsd:enumeration value="LINK">
    <xsd:annotation>
        <xsd:documentation xml:lang="en">
            <ccts:CodeName>LINK</ccts:CodeName>
            <ccts:CodeDescription>Link</ccts:CodeDescription>
        </xsd:documentation>
    </xsd:annotation>
</xsd:enumeration>
<xsd:enumeration value="LEES">
    <xsd:annotation>
        <xsd:documentation xml:lang="en">
            <ccts:CodeName>LEES</ccts:CodeName>
            <ccts:CodeDescription>Lees</ccts:CodeDescription>
        </xsd:documentation>
    </xsd:annotation>
</xsd:enumeration>
<xsd:enumeration value="LNWY">
    <xsd:annotation>
        <xsd:documentation xml:lang="en">
            <ccts:CodeName>LNWY</ccts:CodeName>
            <ccts:CodeDescription>Laneway</ccts:CodeDescription>
        </xsd:documentation>
    </xsd:annotation>
</xsd:enumeration>
<xsd:enumeration value="MALL">
    <xsd:annotation>
        <xsd:documentation xml:lang="en">
            <ccts:CodeName>MALL</ccts:CodeName>
            <ccts:CodeDescription>Mall</ccts:CodeDescription>
        </xsd:documentation>
    </xsd:annotation>
</xsd:enumeration>
<xsd:enumeration value="MT">
    <xsd:annotation>

```

```

        <xsd:documentation xml:lang="en">
            <ccts:CodeName>MT</ccts:CodeName>
            <ccts:CodeDescription>Mount</ccts:CodeDescription>
        </xsd:documentation>
    </xsd:annotation>
</xsd:enumeration>
<xsd:enumeration value="MEWS">
    <xsd:annotation>
        <xsd:documentation xml:lang="en">
            <ccts:CodeName>MEWS</ccts:CodeName>
            <ccts:CodeDescription>Mews</ccts:CodeDescription>
        </xsd:documentation>
    </xsd:annotation>
</xsd:enumeration>
<xsd:enumeration value="MWY">
    <xsd:annotation>
        <xsd:documentation xml:lang="en">
            <ccts:CodeName>MWY</ccts:CodeName>
            <ccts:CodeDescription>Motorway</ccts:CodeDescription>
        </xsd:documentation>
    </xsd:annotation>
</xsd:enumeration>
<xsd:enumeration value="MNDR">
    <xsd:annotation>
        <xsd:documentation xml:lang="en">
            <ccts:CodeName>MNDR</ccts:CodeName>
            <ccts:CodeDescription>Meander</ccts:CodeDescription>
        </xsd:documentation>
    </xsd:annotation>
</xsd:enumeration>
<xsd:enumeration value="NOOK">
    <xsd:annotation>
        <xsd:documentation xml:lang="en">
            <ccts:CodeName>NOOK</ccts:CodeName>
            <ccts:CodeDescription>Nook</ccts:CodeDescription>
        </xsd:documentation>
    </xsd:annotation>
</xsd:enumeration>
<xsd:enumeration value="PROM">
    <xsd:annotation>
        <xsd:documentation xml:lang="en">
            <ccts:CodeName>PROM</ccts:CodeName>
            <ccts:CodeDescription>Promenade</ccts:CodeDescription>
        </xsd:documentation>
    </xsd:annotation>
</xsd:enumeration>
<xsd:enumeration value="PNT">
    <xsd:annotation>
        <xsd:documentation xml:lang="en">
            <ccts:CodeName>PNT</ccts:CodeName>
            <ccts:CodeDescription>Point</ccts:CodeDescription>
        </xsd:documentation>
    </xsd:annotation>
</xsd:enumeration>
<xsd:enumeration value="PORT">
    <xsd:annotation>
        <xsd:documentation xml:lang="en">
            <ccts:CodeName>PORT</ccts:CodeName>
            <ccts:CodeDescription>Port</ccts:CodeDescription>
        </xsd:documentation>
    </xsd:annotation>
</xsd:enumeration>
<xsd:enumeration value="PKT">
    <xsd:annotation>
        <xsd:documentation xml:lang="en">
            <ccts:CodeName>PKT</ccts:CodeName>
            <ccts:CodeDescription>Pocket</ccts:CodeDescription>
        </xsd:documentation>
    </xsd:annotation>
</xsd:enumeration>
<xsd:enumeration value="PLZA">
    <xsd:annotation>
        <xsd:documentation xml:lang="en">
            <ccts:CodeName>PLZA</ccts:CodeName>
            <ccts:CodeDescription>Plaza</ccts:CodeDescription>
        </xsd:documentation>
    </xsd:annotation>
</xsd:enumeration>
<xsd:enumeration value="PL">

```

```

    <xsd:annotation>
      <xsd:documentation xml:lang="en">
        <ccts:CodeName>PL</ccts:CodeName>
        <ccts:CodeDescription>Place</ccts:CodeDescription>
      </xsd:documentation>
    </xsd:annotation>
  </xsd:enumeration>
  <xsd:enumeration value="PLAT">
    <xsd:annotation>
      <xsd:documentation xml:lang="en">
        <ccts:CodeName>PLAT</ccts:CodeName>
        <ccts:CodeDescription>Plateau</ccts:CodeDescription>
      </xsd:documentation>
    </xsd:annotation>
  </xsd:enumeration>
  <xsd:enumeration value="PHWY">
    <xsd:annotation>
      <xsd:documentation xml:lang="en">
        <ccts:CodeName>PHWY</ccts:CodeName>
        <ccts:CodeDescription>Pathway</ccts:CodeDescription>
      </xsd:documentation>
    </xsd:annotation>
  </xsd:enumeration>
  <xsd:enumeration value="PIAZ">
    <xsd:annotation>
      <xsd:documentation xml:lang="en">
        <ccts:CodeName>PIAZ</ccts:CodeName>
        <ccts:CodeDescription>Piazza</ccts:CodeDescription>
      </xsd:documentation>
    </xsd:annotation>
  </xsd:enumeration>
  <xsd:enumeration value="PASS">
    <xsd:annotation>
      <xsd:documentation xml:lang="en">
        <ccts:CodeName>PASS</ccts:CodeName>
        <ccts:CodeDescription>Pass</ccts:CodeDescription>
      </xsd:documentation>
    </xsd:annotation>
  </xsd:enumeration>
  <xsd:enumeration value="PATH">
    <xsd:annotation>
      <xsd:documentation xml:lang="en">
        <ccts:CodeName>PATH</ccts:CodeName>
        <ccts:CodeDescription>Path</ccts:CodeDescription>
      </xsd:documentation>
    </xsd:annotation>
  </xsd:enumeration>
  <xsd:enumeration value="PART">
    <xsd:annotation>
      <xsd:documentation xml:lang="en">
        <ccts:CodeName>PART</ccts:CodeName>
        <ccts:CodeDescription>Part</ccts:CodeDescription>
      </xsd:documentation>
    </xsd:annotation>
  </xsd:enumeration>
  <xsd:enumeration value="PKWY">
    <xsd:annotation>
      <xsd:documentation xml:lang="en">
        <ccts:CodeName>PKWY</ccts:CodeName>
        <ccts:CodeDescription>Parkway</ccts:CodeDescription>
      </xsd:documentation>
    </xsd:annotation>
  </xsd:enumeration>
  <xsd:enumeration value="PARK">
    <xsd:annotation>
      <xsd:documentation xml:lang="en">
        <ccts:CodeName>PARK</ccts:CodeName>
        <ccts:CodeDescription>Park</ccts:CodeDescription>
      </xsd:documentation>
    </xsd:annotation>
  </xsd:enumeration>
  <xsd:enumeration value="PKLD">
    <xsd:annotation>
      <xsd:documentation xml:lang="en">
        <ccts:CodeName>PKLD</ccts:CodeName>
        <ccts:CodeDescription>Parklands</ccts:CodeDescription>
      </xsd:documentation>
    </xsd:annotation>
  </xsd:enumeration>

```

```

<xsd:enumeration value="OTLK">
  <xsd:annotation>
    <xsd:documentation xml:lang="en">
      <ccts:CodeName>OTLK</ccts:CodeName>
      <ccts:CodeDescription>Outlook</ccts:CodeDescription>
    </xsd:documentation>
  </xsd:annotation>
</xsd:enumeration>
<xsd:enumeration value="PDE">
  <xsd:annotation>
    <xsd:documentation xml:lang="en">
      <ccts:CodeName>PDE</ccts:CodeName>
      <ccts:CodeDescription>Parade</ccts:CodeDescription>
    </xsd:documentation>
  </xsd:annotation>
</xsd:enumeration>
<xsd:enumeration value="QDGL">
  <xsd:annotation>
    <xsd:documentation xml:lang="en">
      <ccts:CodeName>QDGL</ccts:CodeName>
      <ccts:CodeDescription>Quadrangle</ccts:CodeDescription>
    </xsd:documentation>
  </xsd:annotation>
</xsd:enumeration>
<xsd:enumeration value="QYS">
  <xsd:annotation>
    <xsd:documentation xml:lang="en">
      <ccts:CodeName>QYS</ccts:CodeName>
      <ccts:CodeDescription>Quay(s)</ccts:CodeDescription>
    </xsd:documentation>
  </xsd:annotation>
</xsd:enumeration>
<xsd:enumeration value="QDRT">
  <xsd:annotation>
    <xsd:documentation xml:lang="en">
      <ccts:CodeName>QDRT</ccts:CodeName>
      <ccts:CodeDescription>Quadrant</ccts:CodeDescription>
    </xsd:documentation>
  </xsd:annotation>
</xsd:enumeration>
<xsd:enumeration value="QY">
  <xsd:annotation>
    <xsd:documentation xml:lang="en">
      <ccts:CodeName>QY</ccts:CodeName>
      <ccts:CodeDescription>Quay</ccts:CodeDescription>
    </xsd:documentation>
  </xsd:annotation>
</xsd:enumeration>
<xsd:enumeration value="QUAD">
  <xsd:annotation>
    <xsd:documentation xml:lang="en">
      <ccts:CodeName>QUAD</ccts:CodeName>
      <ccts:CodeDescription>Quad</ccts:CodeDescription>
    </xsd:documentation>
  </xsd:annotation>
</xsd:enumeration>
<xsd:enumeration value="RAMP">
  <xsd:annotation>
    <xsd:documentation xml:lang="en">
      <ccts:CodeName>RAMP</ccts:CodeName>
      <ccts:CodeDescription>Ramp</ccts:CodeDescription>
    </xsd:documentation>
  </xsd:annotation>
</xsd:enumeration>
<xsd:enumeration value="RING">
  <xsd:annotation>
    <xsd:documentation xml:lang="en">
      <ccts:CodeName>RING</ccts:CodeName>
      <ccts:CodeDescription>Ring</ccts:CodeDescription>
    </xsd:documentation>
  </xsd:annotation>
</xsd:enumeration>
<xsd:enumeration value="ROWY">
  <xsd:annotation>
    <xsd:documentation xml:lang="en">
      <ccts:CodeName>ROWY</ccts:CodeName>
      <ccts:CodeDescription>Right of Way</ccts:CodeDescription>
    </xsd:documentation>
  </xsd:annotation>
</xsd:enumeration>

```

```

</xsd:enumeration>
<xsd:enumeration value="RDGE">
  <xsd:annotation>
    <xsd:documentation xml:lang="en">
      <ccts:CodeName>RDGE</ccts:CodeName>
      <ccts:CodeDescription>Ridge</ccts:CodeDescription>
    </xsd:documentation>
  </xsd:annotation>
</xsd:enumeration>
<xsd:enumeration value="RGWY">
  <xsd:annotation>
    <xsd:documentation xml:lang="en">
      <ccts:CodeName>RGWY</ccts:CodeName>
      <ccts:CodeDescription>Ridgeway</ccts:CodeDescription>
    </xsd:documentation>
  </xsd:annotation>
</xsd:enumeration>
<xsd:enumeration value="RIDE">
  <xsd:annotation>
    <xsd:documentation xml:lang="en">
      <ccts:CodeName>RIDE</ccts:CodeName>
      <ccts:CodeDescription>Ride</ccts:CodeDescription>
    </xsd:documentation>
  </xsd:annotation>
</xsd:enumeration>
<xsd:enumeration value="RTT">
  <xsd:annotation>
    <xsd:documentation xml:lang="en">
      <ccts:CodeName>RTT</ccts:CodeName>
      <ccts:CodeDescription>Retreat</ccts:CodeDescription>
    </xsd:documentation>
  </xsd:annotation>
</xsd:enumeration>
<xsd:enumeration value="RES">
  <xsd:annotation>
    <xsd:documentation xml:lang="en">
      <ccts:CodeName>RES</ccts:CodeName>
      <ccts:CodeDescription>Reserve</ccts:CodeDescription>
    </xsd:documentation>
  </xsd:annotation>
</xsd:enumeration>
<xsd:enumeration value="REST">
  <xsd:annotation>
    <xsd:documentation xml:lang="en">
      <ccts:CodeName>REST</ccts:CodeName>
      <ccts:CodeDescription>Rest</ccts:CodeDescription>
    </xsd:documentation>
  </xsd:annotation>
</xsd:enumeration>
<xsd:enumeration value="RCH">
  <xsd:annotation>
    <xsd:documentation xml:lang="en">
      <ccts:CodeName>RCH</ccts:CodeName>
      <ccts:CodeDescription>Reach</ccts:CodeDescription>
    </xsd:documentation>
  </xsd:annotation>
</xsd:enumeration>
<xsd:enumeration value="RISE">
  <xsd:annotation>
    <xsd:documentation xml:lang="en">
      <ccts:CodeName>RISE</ccts:CodeName>
      <ccts:CodeDescription>Rise</ccts:CodeDescription>
    </xsd:documentation>
  </xsd:annotation>
</xsd:enumeration>
<xsd:enumeration value="RVRA">
  <xsd:annotation>
    <xsd:documentation xml:lang="en">
      <ccts:CodeName>RVRA</ccts:CodeName>
      <ccts:CodeDescription>Riviera</ccts:CodeDescription>
    </xsd:documentation>
  </xsd:annotation>
</xsd:enumeration>
<xsd:enumeration value="RVWY">
  <xsd:annotation>
    <xsd:documentation xml:lang="en">
      <ccts:CodeName>RVWY</ccts:CodeName>
      <ccts:CodeDescription>Riverway</ccts:CodeDescription>
    </xsd:documentation>
  </xsd:annotation>

```

```

        </xsd:annotation>
</xsd:enumeration>
<xsd:enumeration value="RNGE">
  <xsd:annotation>
    <xsd:documentation xml:lang="en">
      <ccts:CodeName>RNGE</ccts:CodeName>
      <ccts:CodeDescription>Range</ccts:CodeDescription>
    </xsd:documentation>
  </xsd:annotation>
</xsd:enumeration>
<xsd:enumeration value="RD">
  <xsd:annotation>
    <xsd:documentation xml:lang="en">
      <ccts:CodeName>RD</ccts:CodeName>
      <ccts:CodeDescription>Road</ccts:CodeDescription>
    </xsd:documentation>
  </xsd:annotation>
</xsd:enumeration>
<xsd:enumeration value="RUE">
  <xsd:annotation>
    <xsd:documentation xml:lang="en">
      <ccts:CodeName>RUE</ccts:CodeName>
      <ccts:CodeDescription>Rue</ccts:CodeDescription>
    </xsd:documentation>
  </xsd:annotation>
</xsd:enumeration>
<xsd:enumeration value="RUN">
  <xsd:annotation>
    <xsd:documentation xml:lang="en">
      <ccts:CodeName>RUN</ccts:CodeName>
      <ccts:CodeDescription>Run</ccts:CodeDescription>
    </xsd:documentation>
  </xsd:annotation>
</xsd:enumeration>
<xsd:enumeration value="ROW">
  <xsd:annotation>
    <xsd:documentation xml:lang="en">
      <ccts:CodeName>ROW</ccts:CodeName>
      <ccts:CodeDescription>Row</ccts:CodeDescription>
    </xsd:documentation>
  </xsd:annotation>
</xsd:enumeration>
<xsd:enumeration value="RTE">
  <xsd:annotation>
    <xsd:documentation xml:lang="en">
      <ccts:CodeName>RTE</ccts:CodeName>
      <ccts:CodeDescription>Route</ccts:CodeDescription>
    </xsd:documentation>
  </xsd:annotation>
</xsd:enumeration>
<xsd:enumeration value="RND">
  <xsd:annotation>
    <xsd:documentation xml:lang="en">
      <ccts:CodeName>RND</ccts:CodeName>
      <ccts:CodeDescription>Round</ccts:CodeDescription>
    </xsd:documentation>
  </xsd:annotation>
</xsd:enumeration>
<xsd:enumeration value="RTY">
  <xsd:annotation>
    <xsd:documentation xml:lang="en">
      <ccts:CodeName>RTY</ccts:CodeName>
      <ccts:CodeDescription>Rotary</ccts:CodeDescription>
    </xsd:documentation>
  </xsd:annotation>
</xsd:enumeration>
<xsd:enumeration value="RNDE">
  <xsd:annotation>
    <xsd:documentation xml:lang="en">
      <ccts:CodeName>RNDE</ccts:CodeName>
      <ccts:CodeDescription>Ronde</ccts:CodeDescription>
    </xsd:documentation>
  </xsd:annotation>
</xsd:enumeration>
<xsd:enumeration value="RSBL">
  <xsd:annotation>
    <xsd:documentation xml:lang="en">
      <ccts:CodeName>RSBL</ccts:CodeName>
      <ccts:CodeDescription>Rosebowl</ccts:CodeDescription>
    </xsd:documentation>
  </xsd:annotation>
</xsd:enumeration>

```

```

        </xsd:documentation>
      </xsd:annotation>
    </xsd:enumeration>
  <xsd:enumeration value="RSDS">
    <xsd:annotation>
      <xsd:documentation xml:lang="en">
        <ccts:CodeName>RSDS</ccts:CodeName>
        <ccts:CodeDescription>Roadside</ccts:CodeDescription>
      </xsd:documentation>
    </xsd:annotation>
  </xsd:enumeration>
  <xsd:enumeration value="RDWY">
    <xsd:annotation>
      <xsd:documentation xml:lang="en">
        <ccts:CodeName>RDWY</ccts:CodeName>
        <ccts:CodeDescription>Roadway</ccts:CodeDescription>
      </xsd:documentation>
    </xsd:annotation>
  </xsd:enumeration>
  <xsd:enumeration value="RDS">
    <xsd:annotation>
      <xsd:documentation xml:lang="en">
        <ccts:CodeName>RDS</ccts:CodeName>
        <ccts:CodeDescription>Roads</ccts:CodeDescription>
      </xsd:documentation>
    </xsd:annotation>
  </xsd:enumeration>
  <xsd:enumeration value="RVR">
    <xsd:annotation>
      <xsd:documentation xml:lang="en">
        <ccts:CodeName>RVR</ccts:CodeName>
        <ccts:CodeDescription>River</ccts:CodeDescription>
      </xsd:documentation>
    </xsd:annotation>
  </xsd:enumeration>
  <xsd:enumeration value="RMBL">
    <xsd:annotation>
      <xsd:documentation xml:lang="en">
        <ccts:CodeName>RMBL</ccts:CodeName>
        <ccts:CodeDescription>Ramble</ccts:CodeDescription>
      </xsd:documentation>
    </xsd:annotation>
  </xsd:enumeration>
  <xsd:enumeration value="SBWY">
    <xsd:annotation>
      <xsd:documentation xml:lang="en">
        <ccts:CodeName>SBWY</ccts:CodeName>
        <ccts:CodeDescription>Subway</ccts:CodeDescription>
      </xsd:documentation>
    </xsd:annotation>
  </xsd:enumeration>
  <xsd:enumeration value="TURN">
    <xsd:annotation>
      <xsd:documentation xml:lang="en">
        <ccts:CodeName>TURN</ccts:CodeName>
        <ccts:CodeDescription>Turn</ccts:CodeDescription>
      </xsd:documentation>
    </xsd:annotation>
  </xsd:enumeration>
  <xsd:enumeration value="TKWY">
    <xsd:annotation>
      <xsd:documentation xml:lang="en">
        <ccts:CodeName>TKWY</ccts:CodeName>
        <ccts:CodeDescription>Trunkway</ccts:CodeDescription>
      </xsd:documentation>
    </xsd:annotation>
  </xsd:enumeration>
  <xsd:enumeration value="TRI">
    <xsd:annotation>
      <xsd:documentation xml:lang="en">
        <ccts:CodeName>TRI</ccts:CodeName>
        <ccts:CodeDescription>Triangle</ccts:CodeDescription>
      </xsd:documentation>
    </xsd:annotation>
  </xsd:enumeration>
  <xsd:enumeration value="TRL">
    <xsd:annotation>
      <xsd:documentation xml:lang="en">
        <ccts:CodeName>TRL</ccts:CodeName>
      </xsd:documentation>
    </xsd:annotation>
  </xsd:enumeration>

```

```

        <ccts:CodeDescription>Trail</ccts:CodeDescription>
      </xsd:documentation>
    </xsd:annotation>
  </xsd:enumeration>
  <xsd:enumeration value="TRLR">
    <xsd:annotation>
      <xsd:documentation xml:lang="en">
        <ccts:CodeName>TRLR</ccts:CodeName>
        <ccts:CodeDescription>Trailer</ccts:CodeDescription>
      </xsd:documentation>
    </xsd:annotation>
  </xsd:enumeration>
  <xsd:enumeration value="TRK">
    <xsd:annotation>
      <xsd:documentation xml:lang="en">
        <ccts:CodeName>TRK</ccts:CodeName>
        <ccts:CodeDescription>Track</ccts:CodeDescription>
      </xsd:documentation>
    </xsd:annotation>
  </xsd:enumeration>
  <xsd:enumeration value="TWRS">
    <xsd:annotation>
      <xsd:documentation xml:lang="en">
        <ccts:CodeName>TWRS</ccts:CodeName>
        <ccts:CodeDescription>Towers</ccts:CodeDescription>
      </xsd:documentation>
    </xsd:annotation>
  </xsd:enumeration>
  <xsd:enumeration value="TOP">
    <xsd:annotation>
      <xsd:documentation xml:lang="en">
        <ccts:CodeName>TOP</ccts:CodeName>
        <ccts:CodeDescription>Top</ccts:CodeDescription>
      </xsd:documentation>
    </xsd:annotation>
  </xsd:enumeration>
  <xsd:enumeration value="TOR">
    <xsd:annotation>
      <xsd:documentation xml:lang="en">
        <ccts:CodeName>TOR</ccts:CodeName>
        <ccts:CodeDescription>Tor</ccts:CodeDescription>
      </xsd:documentation>
    </xsd:annotation>
  </xsd:enumeration>
  <xsd:enumeration value="THOR">
    <xsd:annotation>
      <xsd:documentation xml:lang="en">
        <ccts:CodeName>THOR</ccts:CodeName>
        <ccts:CodeDescription>Thoroughfare</ccts:CodeDescription>
      </xsd:documentation>
    </xsd:annotation>
  </xsd:enumeration>
  <xsd:enumeration value="TLWY">
    <xsd:annotation>
      <xsd:documentation xml:lang="en">
        <ccts:CodeName>TLWY</ccts:CodeName>
        <ccts:CodeDescription>Toll way</ccts:CodeDescription>
      </xsd:documentation>
    </xsd:annotation>
  </xsd:enumeration>
  <xsd:enumeration value="TARN">
    <xsd:annotation>
      <xsd:documentation xml:lang="en">
        <ccts:CodeName>TARN</ccts:CodeName>
        <ccts:CodeDescription>Tarn</ccts:CodeDescription>
      </xsd:documentation>
    </xsd:annotation>
  </xsd:enumeration>
  <xsd:enumeration value="TCE">
    <xsd:annotation>
      <xsd:documentation xml:lang="en">
        <ccts:CodeName>TCE</ccts:CodeName>
        <ccts:CodeDescription>Terrace</ccts:CodeDescription>
      </xsd:documentation>
    </xsd:annotation>
  </xsd:enumeration>
  <xsd:enumeration value="SDNG">
    <xsd:annotation>
      <xsd:documentation xml:lang="en">

```



```

                <ccts:CodeName>SDNG</ccts:CodeName>
                <ccts:CodeDescription>Siding</ccts:CodeDescription>
            </xsd:documentation>
        </xsd:annotation>
    </xsd:enumeration>
<xsd:enumeration value="STRP">
    <xsd:annotation>
        <xsd:documentation xml:lang="en">
            <ccts:CodeName>STRP</ccts:CodeName>
            <ccts:CodeDescription>Strip</ccts:CodeDescription>
        </xsd:documentation>
    </xsd:annotation>
</xsd:enumeration>
<xsd:enumeration value="ST">
    <xsd:annotation>
        <xsd:documentation xml:lang="en">
            <ccts:CodeName>ST</ccts:CodeName>
            <ccts:CodeDescription>Street</ccts:CodeDescription>
        </xsd:documentation>
    </xsd:annotation>
</xsd:enumeration>
<xsd:enumeration value="STRA">
    <xsd:annotation>
        <xsd:documentation xml:lang="en">
            <ccts:CodeName>STRA</ccts:CodeName>
            <ccts:CodeDescription>Strand</ccts:CodeDescription>
        </xsd:documentation>
    </xsd:annotation>
</xsd:enumeration>
<xsd:enumeration value="SHWY">
    <xsd:annotation>
        <xsd:documentation xml:lang="en">
            <ccts:CodeName>SHWY</ccts:CodeName>
            <ccts:CodeDescription>State Highway</ccts:CodeDescription>
        </xsd:documentation>
    </xsd:annotation>
</xsd:enumeration>
<xsd:enumeration value="STPS">
    <xsd:annotation>
        <xsd:documentation xml:lang="en">
            <ccts:CodeName>STPS</ccts:CodeName>
            <ccts:CodeDescription>Steps</ccts:CodeDescription>
        </xsd:documentation>
    </xsd:annotation>
</xsd:enumeration>
<xsd:enumeration value="SQ">
    <xsd:annotation>
        <xsd:documentation xml:lang="en">
            <ccts:CodeName>SQ</ccts:CodeName>
            <ccts:CodeDescription>Square</ccts:CodeDescription>
        </xsd:documentation>
    </xsd:annotation>
</xsd:enumeration>
<xsd:enumeration value="STRS">
    <xsd:annotation>
        <xsd:documentation xml:lang="en">
            <ccts:CodeName>STRS</ccts:CodeName>
            <ccts:CodeDescription>Stairs</ccts:CodeDescription>
        </xsd:documentation>
    </xsd:annotation>
</xsd:enumeration>
<xsd:enumeration value="SND">
    <xsd:annotation>
        <xsd:documentation xml:lang="en">
            <ccts:CodeName>SND</ccts:CodeName>
            <ccts:CodeDescription>Sound</ccts:CodeDescription>
        </xsd:documentation>
    </xsd:annotation>
</xsd:enumeration>
<xsd:enumeration value="SPUR">
    <xsd:annotation>
        <xsd:documentation xml:lang="en">
            <ccts:CodeName>SPUR</ccts:CodeName>
            <ccts:CodeDescription>Spur</ccts:CodeDescription>
        </xsd:documentation>
    </xsd:annotation>
</xsd:enumeration>
<xsd:enumeration value="SLPE">
    <xsd:annotation>

```

```

        <xsd:documentation xml:lang="en">
            <ccts:CodeName>SLPE</ccts:CodeName>
            <ccts:CodeDescription>Slope</ccts:CodeDescription>
        </xsd:documentation>
    </xsd:annotation>
</xsd:enumeration>
<xsd:enumeration value="YARD">
    <xsd:annotation>
        <xsd:documentation xml:lang="en">
            <ccts:CodeName>YARD</ccts:CodeName>
            <ccts:CodeDescription>Yard</ccts:CodeDescription>
        </xsd:documentation>
    </xsd:annotation>
</xsd:enumeration>
<xsd:enumeration value="WHRF">
    <xsd:annotation>
        <xsd:documentation xml:lang="en">
            <ccts:CodeName>WHRF</ccts:CodeName>
            <ccts:CodeDescription>Wharf</ccts:CodeDescription>
        </xsd:documentation>
    </xsd:annotation>
</xsd:enumeration>
<xsd:enumeration value="WYND">
    <xsd:annotation>
        <xsd:documentation xml:lang="en">
            <ccts:CodeName>WYND</ccts:CodeName>
            <ccts:CodeDescription>Wynd</ccts:CodeDescription>
        </xsd:documentation>
    </xsd:annotation>
</xsd:enumeration>
<xsd:enumeration value="WAY">
    <xsd:annotation>
        <xsd:documentation xml:lang="en">
            <ccts:CodeName>WAY</ccts:CodeName>
            <ccts:CodeDescription>Way</ccts:CodeDescription>
        </xsd:documentation>
    </xsd:annotation>
</xsd:enumeration>
<xsd:enumeration value="WKWY">
    <xsd:annotation>
        <xsd:documentation xml:lang="en">
            <ccts:CodeName>WKWY</ccts:CodeName>
            <ccts:CodeDescription>Walkway</ccts:CodeDescription>
        </xsd:documentation>
    </xsd:annotation>
</xsd:enumeration>
<xsd:enumeration value="WADE">
    <xsd:annotation>
        <xsd:documentation xml:lang="en">
            <ccts:CodeName>WADE</ccts:CodeName>
            <ccts:CodeDescription>Wade</ccts:CodeDescription>
        </xsd:documentation>
    </xsd:annotation>
</xsd:enumeration>
<xsd:enumeration value="WALK">
    <xsd:annotation>
        <xsd:documentation xml:lang="en">
            <ccts:CodeName>WALK</ccts:CodeName>
            <ccts:CodeDescription>Walk</ccts:CodeDescription>
        </xsd:documentation>
    </xsd:annotation>
</xsd:enumeration>
<xsd:enumeration value="VLLS">
    <xsd:annotation>
        <xsd:documentation xml:lang="en">
            <ccts:CodeName>VLLS</ccts:CodeName>
            <ccts:CodeDescription>Villas</ccts:CodeDescription>
        </xsd:documentation>
    </xsd:annotation>
</xsd:enumeration>
<xsd:enumeration value="VSTA">
    <xsd:annotation>
        <xsd:documentation xml:lang="en">
            <ccts:CodeName>VSTA</ccts:CodeName>
            <ccts:CodeDescription>Vista</ccts:CodeDescription>
        </xsd:documentation>
    </xsd:annotation>
</xsd:enumeration>
<xsd:enumeration value="VDCT">

```

```

        <xsd:documentation xml:lang="en">
          <ccts:CodeName>VDCT</ccts:CodeName>
          <ccts:CodeDescription>Viaduct</ccts:CodeDescription>
        </xsd:documentation>
      </xsd:annotation>
    </xsd:enumeration>
    <xsd:enumeration value="VIEW">
      <xsd:documentation xml:lang="en">
        <ccts:CodeName>VIEW</ccts:CodeName>
        <ccts:CodeDescription>View</ccts:CodeDescription>
      </xsd:documentation>
    </xsd:annotation>
  </xsd:enumeration>
  <xsd:enumeration value="UPR">
    <xsd:documentation xml:lang="en">
      <ccts:CodeName>UPR</ccts:CodeName>
      <ccts:CodeDescription>Upper</ccts:CodeDescription>
    </xsd:documentation>
  </xsd:annotation>
</xsd:enumeration>
<xsd:enumeration value="VALE">
  <xsd:documentation xml:lang="en">
    <ccts:CodeName>VALE</ccts:CodeName>
    <ccts:CodeDescription>Vale</ccts:CodeDescription>
  </xsd:documentation>
</xsd:annotation>
</xsd:enumeration>
<xsd:enumeration value="SWY">
  <xsd:documentation xml:lang="en">
    <ccts:CodeName>SWY</ccts:CodeName>
    <ccts:CodeDescription>Service Way</ccts:CodeDescription>
  </xsd:documentation>
</xsd:annotation>
</xsd:enumeration>
<xsd:enumeration value="UPAS">
  <xsd:documentation xml:lang="en">
    <ccts:CodeName>UPAS</ccts:CodeName>
    <ccts:CodeDescription>Underpass</ccts:CodeDescription>
  </xsd:documentation>
</xsd:annotation>
</xsd:enumeration>
</xsd:restriction>
</xsd:simpleType>
<xsd:simpleType name="StreetSuffixType">
  <xsd:restriction base="xsd:token">
    <xsd:enumeration value="CN">
      <xsd:documentation xml:lang="en">
        <ccts:CodeName>CN</ccts:CodeName>
        <ccts:CodeDescription>Central</ccts:CodeDescription>
      </xsd:documentation>
    </xsd:annotation>
  </xsd:enumeration>
  <xsd:enumeration value="E">
    <xsd:documentation xml:lang="en">
      <ccts:CodeName>E</ccts:CodeName>
      <ccts:CodeDescription>East</ccts:CodeDescription>
    </xsd:documentation>
  </xsd:annotation>
</xsd:enumeration>
  <xsd:enumeration value="EX">
    <xsd:documentation xml:lang="en">
      <ccts:CodeName>EX</ccts:CodeName>
      <ccts:CodeDescription>Extension</ccts:CodeDescription>
    </xsd:documentation>
  </xsd:annotation>
</xsd:enumeration>
  <xsd:enumeration value="S">
    <xsd:documentation xml:lang="en">
      <ccts:CodeName>S</ccts:CodeName>
    </xsd:documentation>
  </xsd:annotation>
</xsd:enumeration>

```

```

        <ccts:CodeDescription>South</ccts:CodeDescription>
      </xsd:documentation>
    </xsd:annotation>
  </xsd:enumeration>
  <xsd:enumeration value="NE">
    <xsd:annotation>
      <xsd:documentation xml:lang="en">
        <ccts:CodeName>NE</ccts:CodeName>
        <ccts:CodeDescription>North East</ccts:CodeDescription>
      </xsd:documentation>
    </xsd:annotation>
  </xsd:enumeration>
  <xsd:enumeration value="NW">
    <xsd:annotation>
      <xsd:documentation xml:lang="en">
        <ccts:CodeName>NW</ccts:CodeName>
        <ccts:CodeDescription>North West</ccts:CodeDescription>
      </xsd:documentation>
    </xsd:annotation>
  </xsd:enumeration>
  <xsd:enumeration value="SW">
    <xsd:annotation>
      <xsd:documentation xml:lang="en">
        <ccts:CodeName>SW</ccts:CodeName>
        <ccts:CodeDescription>South West</ccts:CodeDescription>
      </xsd:documentation>
    </xsd:annotation>
  </xsd:enumeration>
  <xsd:enumeration value="SE">
    <xsd:annotation>
      <xsd:documentation xml:lang="en">
        <ccts:CodeName>SE</ccts:CodeName>
        <ccts:CodeDescription>South East</ccts:CodeDescription>
      </xsd:documentation>
    </xsd:annotation>
  </xsd:enumeration>
  <xsd:enumeration value="LR">
    <xsd:annotation>
      <xsd:documentation xml:lang="en">
        <ccts:CodeName>LR</ccts:CodeName>
        <ccts:CodeDescription>Lower</ccts:CodeDescription>
      </xsd:documentation>
    </xsd:annotation>
  </xsd:enumeration>
  <xsd:enumeration value="UP">
    <xsd:annotation>
      <xsd:documentation xml:lang="en">
        <ccts:CodeName>UP</ccts:CodeName>
        <ccts:CodeDescription>Upper</ccts:CodeDescription>
      </xsd:documentation>
    </xsd:annotation>
  </xsd:enumeration>
  <xsd:enumeration value="N">
    <xsd:annotation>
      <xsd:documentation xml:lang="en">
        <ccts:CodeName>N</ccts:CodeName>
        <ccts:CodeDescription>North</ccts:CodeDescription>
      </xsd:documentation>
    </xsd:annotation>
  </xsd:enumeration>
  <xsd:enumeration value="W">
    <xsd:annotation>
      <xsd:documentation xml:lang="en">
        <ccts:CodeName>W</ccts:CodeName>
        <ccts:CodeDescription>West</ccts:CodeDescription>
      </xsd:documentation>
    </xsd:annotation>
  </xsd:enumeration>
</xsd:restriction>
</xsd:simpleType>
<xsd:simpleType name="UnitTypeType">
  <xsd:restriction base="xsd:token">
    <xsd:enumeration value="APT">
      <xsd:annotation>
        <xsd:documentation xml:lang="en">
          <ccts:CodeName>APT</ccts:CodeName>
          <ccts:CodeDescription>Apartment</ccts:CodeDescription>
        </xsd:documentation>
      </xsd:annotation>
    </xsd:enumeration>
  </xsd:restriction>
</xsd:simpleType>

```

```

</xsd:enumeration>
<xsd:enumeration value="CTGE">
  <xsd:annotation>
    <xsd:documentation xml:lang="en">
      <ccts:CodeName>CTGE</ccts:CodeName>
      <ccts:CodeDescription>Cottage</ccts:CodeDescription>
    </xsd:documentation>
  </xsd:annotation>
</xsd:enumeration>
<xsd:enumeration value="DUP">
  <xsd:annotation>
    <xsd:documentation xml:lang="en">
      <ccts:CodeName>DUP</ccts:CodeName>
      <ccts:CodeDescription>Duplex</ccts:CodeDescription>
    </xsd:documentation>
  </xsd:annotation>
</xsd:enumeration>
<xsd:enumeration value="F">
  <xsd:annotation>
    <xsd:documentation xml:lang="en">
      <ccts:CodeName>F</ccts:CodeName>
      <ccts:CodeDescription>Flat</ccts:CodeDescription>
    </xsd:documentation>
  </xsd:annotation>
</xsd:enumeration>
<xsd:enumeration value="FY">
  <xsd:annotation>
    <xsd:documentation xml:lang="en">
      <ccts:CodeName>FY</ccts:CodeName>
      <ccts:CodeDescription>Factory</ccts:CodeDescription>
    </xsd:documentation>
  </xsd:annotation>
</xsd:enumeration>
<xsd:enumeration value="HSE">
  <xsd:annotation>
    <xsd:documentation xml:lang="en">
      <ccts:CodeName>HSE</ccts:CodeName>
      <ccts:CodeDescription>House</ccts:CodeDescription>
    </xsd:documentation>
  </xsd:annotation>
</xsd:enumeration>
<xsd:enumeration value="KSK">
  <xsd:annotation>
    <xsd:documentation xml:lang="en">
      <ccts:CodeName>KSK</ccts:CodeName>
      <ccts:CodeDescription>Kiosk</ccts:CodeDescription>
    </xsd:documentation>
  </xsd:annotation>
</xsd:enumeration>
<xsd:enumeration value="MB">
  <xsd:annotation>
    <xsd:documentation xml:lang="en">
      <ccts:CodeName>MB</ccts:CodeName>
      <ccts:CodeDescription>Marine Berth</ccts:CodeDescription>
    </xsd:documentation>
  </xsd:annotation>
</xsd:enumeration>
<xsd:enumeration value="MSNT">
  <xsd:annotation>
    <xsd:documentation xml:lang="en">
      <ccts:CodeName>MSNT</ccts:CodeName>
      <ccts:CodeDescription>Maisonette</ccts:CodeDescription>
    </xsd:documentation>
  </xsd:annotation>
</xsd:enumeration>
<xsd:enumeration value="OFF">
  <xsd:annotation>
    <xsd:documentation xml:lang="en">
      <ccts:CodeName>OFF</ccts:CodeName>
      <ccts:CodeDescription>Office</ccts:CodeDescription>
    </xsd:documentation>
  </xsd:annotation>
</xsd:enumeration>
<xsd:enumeration value="PTHS">
  <xsd:annotation>
    <xsd:documentation xml:lang="en">
      <ccts:CodeName>PTHS</ccts:CodeName>
      <ccts:CodeDescription>Penthouse</ccts:CodeDescription>
    </xsd:documentation>
  </xsd:annotation>
</xsd:enumeration>

```

```

        </xsd:annotation>
</xsd:enumeration>
<xsd:enumeration value="RM">
  <xsd:annotation>
    <xsd:documentation xml:lang="en">
      <ccts:CodeName>RM</ccts:CodeName>
      <ccts:CodeDescription>Room</ccts:CodeDescription>
    </xsd:documentation>
  </xsd:annotation>
</xsd:enumeration>
<xsd:enumeration value="SE">
  <xsd:annotation>
    <xsd:documentation xml:lang="en">
      <ccts:CodeName>SE</ccts:CodeName>
      <ccts:CodeDescription>Suite</ccts:CodeDescription>
    </xsd:documentation>
  </xsd:annotation>
</xsd:enumeration>
<xsd:enumeration value="SHED">
  <xsd:annotation>
    <xsd:documentation xml:lang="en">
      <ccts:CodeName>SHED</ccts:CodeName>
      <ccts:CodeDescription>Shed</ccts:CodeDescription>
    </xsd:documentation>
  </xsd:annotation>
</xsd:enumeration>
<xsd:enumeration value="SHOP">
  <xsd:annotation>
    <xsd:documentation xml:lang="en">
      <ccts:CodeName>SHOP</ccts:CodeName>
      <ccts:CodeDescription>Shop</ccts:CodeDescription>
    </xsd:documentation>
  </xsd:annotation>
</xsd:enumeration>
<xsd:enumeration value="SITE">
  <xsd:annotation>
    <xsd:documentation xml:lang="en">
      <ccts:CodeName>SITE</ccts:CodeName>
      <ccts:CodeDescription>Site</ccts:CodeDescription>
    </xsd:documentation>
  </xsd:annotation>
</xsd:enumeration>
<xsd:enumeration value="SL">
  <xsd:annotation>
    <xsd:documentation xml:lang="en">
      <ccts:CodeName>SL</ccts:CodeName>
      <ccts:CodeDescription>Stall</ccts:CodeDescription>
    </xsd:documentation>
  </xsd:annotation>
</xsd:enumeration>
<xsd:enumeration value="STU">
  <xsd:annotation>
    <xsd:documentation xml:lang="en">
      <ccts:CodeName>STU</ccts:CodeName>
      <ccts:CodeDescription>Studio</ccts:CodeDescription>
    </xsd:documentation>
  </xsd:annotation>
</xsd:enumeration>
<xsd:enumeration value="TNHS">
  <xsd:annotation>
    <xsd:documentation xml:lang="en">
      <ccts:CodeName>TNHS</ccts:CodeName>
      <ccts:CodeDescription>Townhouse</ccts:CodeDescription>
    </xsd:documentation>
  </xsd:annotation>
</xsd:enumeration>
<xsd:enumeration value="U">
  <xsd:annotation>
    <xsd:documentation xml:lang="en">
      <ccts:CodeName>U</ccts:CodeName>
      <ccts:CodeDescription>Unit</ccts:CodeDescription>
    </xsd:documentation>
  </xsd:annotation>
</xsd:enumeration>
<xsd:enumeration value="VLLA">
  <xsd:annotation>
    <xsd:documentation xml:lang="en">
      <ccts:CodeName>VLLA</ccts:CodeName>
      <ccts:CodeDescription>Villa</ccts:CodeDescription>
    </xsd:documentation>
  </xsd:annotation>
</xsd:enumeration>

```

```

        </xsd:documentation>
      </xsd:annotation>
    </xsd:enumeration>
  <xsd:enumeration value="WARD">
    <xsd:annotation>
      <xsd:documentation xml:lang="en">
        <ccts:CodeName>WARD</ccts:CodeName>
        <ccts:CodeDescription>Ward</ccts:CodeDescription>
      </xsd:documentation>
    </xsd:annotation>
  </xsd:enumeration>
</xsd:restriction>
</xsd:simpleType>
<xsd:simpleType name="StateTerritoryType">
  <xsd:restriction base="xsd:token">
    <xsd:enumeration value="AAT">
      <xsd:annotation>
        <xsd:documentation xml:lang="en">
          <ccts:CodeName>AAT</ccts:CodeName>
          <ccts:CodeDescription>Australian Antarctic
Territory</ccts:CodeDescription>
        </xsd:documentation>
      </xsd:annotation>
    </xsd:enumeration>
    <xsd:enumeration value="ACT">
      <xsd:annotation>
        <xsd:documentation xml:lang="en">
          <ccts:CodeName>ACT</ccts:CodeName>
          <ccts:CodeDescription>Australian Capital
Territory</ccts:CodeDescription>
        </xsd:documentation>
      </xsd:annotation>
    </xsd:enumeration>
    <xsd:enumeration value="NSW">
      <xsd:annotation>
        <xsd:documentation xml:lang="en">
          <ccts:CodeName>NSW</ccts:CodeName>
          <ccts:CodeDescription>New South Wales</ccts:CodeDescription>
        </xsd:documentation>
      </xsd:annotation>
    </xsd:enumeration>
    <xsd:enumeration value="NT">
      <xsd:annotation>
        <xsd:documentation xml:lang="en">
          <ccts:CodeName>NT</ccts:CodeName>
          <ccts:CodeDescription>Northern Territory</ccts:CodeDescription>
        </xsd:documentation>
      </xsd:annotation>
    </xsd:enumeration>
    <xsd:enumeration value="QLD">
      <xsd:annotation>
        <xsd:documentation xml:lang="en">
          <ccts:CodeName>QLD</ccts:CodeName>
          <ccts:CodeDescription>Queensland</ccts:CodeDescription>
        </xsd:documentation>
      </xsd:annotation>
    </xsd:enumeration>
    <xsd:enumeration value="SA">
      <xsd:annotation>
        <xsd:documentation xml:lang="en">
          <ccts:CodeName>SA</ccts:CodeName>
          <ccts:CodeDescription>South Australia</ccts:CodeDescription>
        </xsd:documentation>
      </xsd:annotation>
    </xsd:enumeration>
    <xsd:enumeration value="TAS">
      <xsd:annotation>
        <xsd:documentation xml:lang="en">
          <ccts:CodeName>TAS</ccts:CodeName>
          <ccts:CodeDescription>Tasmania</ccts:CodeDescription>
        </xsd:documentation>
      </xsd:annotation>
    </xsd:enumeration>
    <xsd:enumeration value="VIC">
      <xsd:annotation>
        <xsd:documentation xml:lang="en">
          <ccts:CodeName>VIC</ccts:CodeName>
          <ccts:CodeDescription>Victoria</ccts:CodeDescription>
        </xsd:documentation>
      </xsd:annotation>
    </xsd:enumeration>
  </xsd:restriction>
</xsd:simpleType>

```

```
        </xsd:annotation>
    </xsd:enumeration>
    <xsd:enumeration value="WA">
        <xsd:annotation>
            <xsd:documentation xml:lang="en">
                <ccts:CodeName>WA</ccts:CodeName>
                <ccts:CodeDescription>Western Australia</ccts:CodeDescription>
            </xsd:documentation>
        </xsd:annotation>
    </xsd:enumeration>
</xsd:restriction>
</xsd:simpleType>
</xsd:schema>
```


Cross Agency Core Data Type Schema Module

In this section the Core Data Type schema module is provided. The Core Data Type Module is used by all Doc and Information Aggregate Schemas.

```
<?xml version="1.0"?>
<xsd:schema xmlns:udt="urn:xml-gov-au:draft:types:coredatatypes:1.0"
xmlns:ccts="urn:un:unece:uncefact:documentation:standard:CoreComponentsTechnicalSpecification:2"
xmlns:xsd="http://www.w3.org/2001/XMLSchema" targetNamespace="urn:xml-gov-au:draft:types:coredatatypes:1.0"
elementFormDefault="qualified" attributeFormDefault="unqualified" version="1.0">
  <xsd:complexType name="AmountType">
    <xsd:annotation>
      <xsd:documentation xml:lang="en">
        <ccts:Acronym>CCT</ccts:Acronym>
        <ccts:PrimaryRepresentationTerm>Decimal</ccts:PrimaryRepresentationTerm>
      </xsd:documentation>
    </xsd:annotation>
    <xsd:simpleContent>
      <xsd:extension base="xsd:decimal">
        <xsd:attribute name="CurrencyCodeListVersionIdentifier" type="xsd:string" use="optional">
          <xsd:annotation>
            <xsd:documentation xml:lang="en">
              <ccts:Acronym>SC</ccts:Acronym>
              <ccts:Cardinality>0..1</ccts:Cardinality>
            </xsd:documentation>
          </xsd:annotation>
        </xsd:attribute>
        <xsd:attribute name="CurrencyIdentifier" type="xsd:string" use="optional">
          <xsd:annotation>
            <xsd:documentation xml:lang="en">
              <ccts:Acronym>SC</ccts:Acronym>
              <ccts:Cardinality>0..1</ccts:Cardinality>
            </xsd:documentation>
          </xsd:annotation>
        </xsd:attribute>
      </xsd:extension>
    </xsd:simpleContent>
  </xsd:complexType>
  <xsd:complexType name="BinaryObjectType">
    <xsd:annotation>
      <xsd:documentation xml:lang="en">
        <ccts:Acronym>CCT</ccts:Acronym>
        <ccts:PrimaryRepresentationTerm>Binary</ccts:PrimaryRepresentationTerm>
      </xsd:documentation>
    </xsd:annotation>
    <xsd:simpleContent>
      <xsd:extension base="xsd:base64Binary">
        <xsd:attribute name="CharacterSetCode" type="xsd:string" use="optional">
          <xsd:annotation>
            <xsd:documentation xml:lang="en">
              <ccts:Acronym>SC</ccts:Acronym>
              <ccts:Cardinality>0..1</ccts:Cardinality>
            </xsd:documentation>
          </xsd:annotation>
        </xsd:attribute>
        <xsd:attribute name="EncodingCode" type="xsd:string" use="optional">
          <xsd:annotation>
            <xsd:documentation xml:lang="en">
              <ccts:Acronym>SC</ccts:Acronym>
              <ccts:Cardinality>0..1</ccts:Cardinality>
            </xsd:documentation>
          </xsd:annotation>
        </xsd:attribute>
        <xsd:attribute name="Filename" type="xsd:string" use="optional">
          <xsd:annotation>
            <xsd:documentation xml:lang="en">
              <ccts:Acronym>SC</ccts:Acronym>
              <ccts:Cardinality>0..1</ccts:Cardinality>
            </xsd:documentation>
          </xsd:annotation>
        </xsd:attribute>
        <xsd:attribute name="Format" type="xsd:string" use="optional">
          <xsd:annotation>
            <xsd:documentation xml:lang="en">

```

```

                <ccts:Acronym>SC</ccts:Acronym>
                <ccts:Cardinality>0..1</ccts:Cardinality>
            </xsd:documentation>
        </xsd:annotation>
    </xsd:attribute>
    <xsd:attribute name="MimeCode" type="xsd:string" use="optional">
        <xsd:annotation>
            <xsd:documentation xml:lang="en">
                <ccts:Acronym>SC</ccts:Acronym>
                <ccts:Cardinality>0..1</ccts:Cardinality>
            </xsd:documentation>
        </xsd:annotation>
    </xsd:attribute>
    <xsd:attribute name="UniformResourceIdentifier" type="xsd:string" use="optional">
        <xsd:annotation>
            <xsd:documentation xml:lang="en">
                <ccts:Acronym>SC</ccts:Acronym>
                <ccts:Cardinality>0..1</ccts:Cardinality>
            </xsd:documentation>
        </xsd:annotation>
    </xsd:attribute>
</xsd:extension>
</xsd:simpleContent>
</xsd:complexType>
<xsd:complexType name="CodeType">
    <xsd:annotation>
        <xsd:documentation xml:lang="en">
            <ccts:Acronym>CCT</ccts:Acronym>
            <ccts:PrimaryRepresentationTerm>String</ccts:PrimaryRepresentationTerm>
            <ccts:BusinessTerm>code</ccts:BusinessTerm>
        </xsd:documentation>
    </xsd:annotation>
    <xsd:simpleContent>
        <xsd:extension base="xsd:string">
            <xsd:attribute name="CodeListAgencyIdentifier" type="xsd:string" use="optional">
                <xsd:annotation>
                    <xsd:documentation xml:lang="en">
                        <ccts:Acronym>SC</ccts:Acronym>
                        <ccts:Cardinality>0..1</ccts:Cardinality>
                    </xsd:documentation>
                </xsd:annotation>
            </xsd:attribute>
            <xsd:attribute name="CodeListAgencyName" type="xsd:string" use="optional">
                <xsd:annotation>
                    <xsd:documentation xml:lang="en">
                        <ccts:Acronym>SC</ccts:Acronym>
                        <ccts:Cardinality>0..1</ccts:Cardinality>
                    </xsd:documentation>
                </xsd:annotation>
            </xsd:attribute>
            <xsd:attribute name="CodeListIdentifier" type="xsd:string" use="optional">
                <xsd:annotation>
                    <xsd:documentation xml:lang="en">
                        <ccts:Acronym>SC</ccts:Acronym>
                        <ccts:Cardinality>0..1</ccts:Cardinality>
                    </xsd:documentation>
                </xsd:annotation>
            </xsd:attribute>
            <xsd:attribute name="CodeListName" type="xsd:string" use="optional">
                <xsd:annotation>
                    <xsd:documentation xml:lang="en">
                        <ccts:Acronym>SC</ccts:Acronym>
                        <ccts:Cardinality>0..1</ccts:Cardinality>
                    </xsd:documentation>
                </xsd:annotation>
            </xsd:attribute>
            <xsd:attribute name="CodeListSchemeURI" type="xsd:string" use="optional">
                <xsd:annotation>
                    <xsd:documentation xml:lang="en">
                        <ccts:Acronym>SC</ccts:Acronym>
                        <ccts:Cardinality>0..1</ccts:Cardinality>
                    </xsd:documentation>
                </xsd:annotation>
            </xsd:attribute>
            <xsd:attribute name="CodeListURI" type="xsd:string" use="optional">
                <xsd:annotation>
                    <xsd:documentation xml:lang="en">
                        <ccts:Acronym>SC</ccts:Acronym>
                        <ccts:Cardinality>0..1</ccts:Cardinality>
                    </xsd:documentation>
                </xsd:annotation>
            </xsd:attribute>
        </xsd:extension>
    </xsd:simpleContent>
</xsd:complexType>

```

```

        </xsd:documentation>
      </xsd:annotation>
    </xsd:attribute>
    <xsd:attribute name="CodeListVersionIdentifier" type="xsd:string" use="optional">
      <xsd:annotation>
        <xsd:documentation xml:lang="en">
          <ccts:Acronym>SC</ccts:Acronym>
          <ccts:Cardinality>0..1</ccts:Cardinality>
        </xsd:documentation>
      </xsd:annotation>
    </xsd:attribute>
    <xsd:attribute name="CodeName" type="xsd:string" use="optional">
      <xsd:annotation>
        <xsd:documentation xml:lang="en">
          <ccts:Acronym>SC</ccts:Acronym>
          <ccts:Cardinality>0..1</ccts:Cardinality>
        </xsd:documentation>
      </xsd:annotation>
    </xsd:attribute>
    <xsd:attribute name="LanguageIdentifier" type="xsd:string" use="optional">
      <xsd:annotation>
        <xsd:documentation xml:lang="en">
          <ccts:Acronym>SC</ccts:Acronym>
          <ccts:Cardinality>0..1</ccts:Cardinality>
        </xsd:documentation>
      </xsd:annotation>
    </xsd:attribute>
  </xsd:extension>
</xsd:simpleContent>
</xsd:complexType>
<xsd:complexType name="DateTimeType">
  <xsd:annotation>
    <xsd:documentation xml:lang="en">
      <ccts:Acronym>CCT</ccts:Acronym>
      <ccts:PrimaryRepresentationTerm>dateTime</ccts:PrimaryRepresentationTerm>
    </xsd:documentation>
  </xsd:annotation>
  <xsd:simpleContent>
    <xsd:extension base="xsd:dateTime">
      <xsd:attribute name="Format" type="xsd:string" use="optional">
        <xsd:annotation>
          <xsd:documentation xml:lang="en">
            <ccts:Acronym>SC</ccts:Acronym>
            <ccts:Cardinality>0..1</ccts:Cardinality>
          </xsd:documentation>
        </xsd:annotation>
      </xsd:attribute>
    </xsd:extension>
  </xsd:simpleContent>
</xsd:complexType>
<xsd:complexType name="DateType">
  <xsd:annotation>
    <xsd:documentation xml:lang="en">
      <ccts:Acronym>CCT</ccts:Acronym>
      <ccts:PrimaryRepresentationTerm>date</ccts:PrimaryRepresentationTerm>
    </xsd:documentation>
  </xsd:annotation>
  <xsd:simpleContent>
    <xsd:extension base="xsd:date">
      <xsd:attribute name="Format" type="xsd:string" use="optional">
        <xsd:annotation>
          <xsd:documentation xml:lang="en">
            <ccts:Acronym>SC</ccts:Acronym>
            <ccts:Cardinality>0..1</ccts:Cardinality>
          </xsd:documentation>
        </xsd:annotation>
      </xsd:attribute>
    </xsd:extension>
  </xsd:simpleContent>
</xsd:complexType>
<xsd:complexType name="TimeType">
  <xsd:annotation>
    <xsd:documentation xml:lang="en">
      <ccts:Acronym>CCT</ccts:Acronym>
      <ccts:PrimaryRepresentationTerm>time</ccts:PrimaryRepresentationTerm>
    </xsd:documentation>
  </xsd:annotation>
  <xsd:simpleContent>
    <xsd:extension base="xsd:time">

```

```

        <xsd:attribute name="Format" type="xsd:string" use="optional">
          <xsd:annotation>
            <xsd:documentation xml:lang="en">
              <ccts:Acronym>SC</ccts:Acronym>
              <ccts:Cardinality>0..1</ccts:Cardinality>
            </xsd:documentation>
          </xsd:annotation>
        </xsd:attribute>
      </xsd:extension>
    </xsd:simpleContent>
  </xsd:complexType>
</xsd:complexType name="IdentifierType">
  <xsd:annotation>
    <xsd:documentation xml:lang="en">
      <ccts:Acronym>CCT</ccts:Acronym>
      <ccts:PrimaryRepresentationTerm>String</ccts:PrimaryRepresentationTerm>
    </xsd:documentation>
  </xsd:annotation>
  <xsd:simpleContent>
    <xsd:extension base="xsd:string">
      <xsd:attribute name="IdentificationSchemeAgencyIdentifier" type="xsd:string" use="optional">
        <xsd:annotation>
          <xsd:documentation xml:lang="en">
            <ccts:Acronym>SC</ccts:Acronym>
            <ccts:Cardinality>0..1</ccts:Cardinality>
          </xsd:documentation>
        </xsd:annotation>
      </xsd:attribute>
      <xsd:attribute name="IdentificationSchemeAgencyName" type="xsd:string" use="optional">
        <xsd:annotation>
          <xsd:documentation xml:lang="en">
            <ccts:Acronym>SC</ccts:Acronym>
            <ccts:Cardinality>0..1</ccts:Cardinality>
          </xsd:documentation>
        </xsd:annotation>
      </xsd:attribute>
      <xsd:attribute name="IdentificationSchemeDataURI" type="xsd:string" use="optional">
        <xsd:annotation>
          <xsd:documentation xml:lang="en">
            <ccts:Acronym>SC</ccts:Acronym>
            <ccts:Cardinality>0..1</ccts:Cardinality>
          </xsd:documentation>
        </xsd:annotation>
      </xsd:attribute>
      <xsd:attribute name="IdentificationSchemeIdentifier" type="xsd:string" use="optional">
        <xsd:annotation>
          <xsd:documentation xml:lang="en">
            <ccts:Acronym>SC</ccts:Acronym>
            <ccts:Cardinality>0..1</ccts:Cardinality>
          </xsd:documentation>
        </xsd:annotation>
      </xsd:attribute>
      <xsd:attribute name="IdentificationSchemeName" type="xsd:string" use="optional">
        <xsd:annotation>
          <xsd:documentation xml:lang="en">
            <ccts:Acronym>SC</ccts:Acronym>
            <ccts:Cardinality>0..1</ccts:Cardinality>
          </xsd:documentation>
        </xsd:annotation>
      </xsd:attribute>
      <xsd:attribute name="IdentificationSchemeURI" type="xsd:string" use="optional">
        <xsd:annotation>
          <xsd:documentation xml:lang="en">
            <ccts:Acronym>SC</ccts:Acronym>
            <ccts:Cardinality>0..1</ccts:Cardinality>
          </xsd:documentation>
        </xsd:annotation>
      </xsd:attribute>
      <xsd:attribute name="IdentificationSchemeVersionIdentifier" type="xsd:string" use="optional">
        <xsd:annotation>
          <xsd:documentation xml:lang="en">
            <ccts:Acronym>SC</ccts:Acronym>
            <ccts:Cardinality>0..1</ccts:Cardinality>
          </xsd:documentation>
        </xsd:annotation>
      </xsd:attribute>
    </xsd:extension>
  </xsd:simpleContent>
</xsd:complexType>

```

```

<xsd:complexType name="IndicatorType">
  <xsd:annotation>
    <xsd:documentation xml:lang="en">
      <ccts:Acronym>CCT</ccts:Acronym>
      <ccts:PrimaryRepresentationTerm>boolean</ccts:PrimaryRepresentationTerm>
    </xsd:documentation>
  </xsd:annotation>
  <xsd:simpleContent>
    <xsd:extension base="xsd:boolean">
      <xsd:attribute name="Format" type="xsd:string" use="optional">
        <xsd:annotation>
          <xsd:documentation xml:lang="en">
            <ccts:Acronym>SC</ccts:Acronym>
            <ccts:Cardinality>0..1</ccts:Cardinality>
          </xsd:documentation>
        </xsd:annotation>
      </xsd:attribute>
    </xsd:extension>
  </xsd:simpleContent>
</xsd:complexType>
<xsd:complexType name="MeasureType">
  <xsd:annotation>
    <xsd:documentation xml:lang="en">
      <ccts:Acronym>CCT</ccts:Acronym>
      <ccts:PrimaryRepresentationTerm>Decimal</ccts:PrimaryRepresentationTerm>
    </xsd:documentation>
  </xsd:annotation>
  <xsd:simpleContent>
    <xsd:extension base="xsd:decimal">
      <xsd:attribute name="MeasureUnitCode" type="xsd:string" use="optional">
        <xsd:annotation>
          <xsd:documentation xml:lang="en">
            <ccts:Acronym>SC</ccts:Acronym>
            <ccts:Cardinality>0..1</ccts:Cardinality>
          </xsd:documentation>
        </xsd:annotation>
      </xsd:attribute>
      <xsd:attribute name="MeasureUnitCodeListVersionIdentifier" type="xsd:string" use="optional">
        <xsd:annotation>
          <xsd:documentation xml:lang="en">
            <ccts:Acronym>SC</ccts:Acronym>
            <ccts:Cardinality>0..1</ccts:Cardinality>
          </xsd:documentation>
        </xsd:annotation>
      </xsd:attribute>
    </xsd:extension>
  </xsd:simpleContent>
</xsd:complexType>
<xsd:complexType name="NumericType">
  <xsd:annotation>
    <xsd:documentation xml:lang="en">
      <ccts:Acronym>CCT</ccts:Acronym>
      <ccts:PrimaryRepresentationTerm>Decimal</ccts:PrimaryRepresentationTerm>
    </xsd:documentation>
  </xsd:annotation>
  <xsd:simpleContent>
    <xsd:extension base="xsd:decimal">
      <xsd:attribute name="Format" type="xsd:string" use="optional">
        <xsd:annotation>
          <xsd:documentation xml:lang="en">
            <ccts:Acronym>SC</ccts:Acronym>
            <ccts:Cardinality>0..1</ccts:Cardinality>
          </xsd:documentation>
        </xsd:annotation>
      </xsd:attribute>
    </xsd:extension>
  </xsd:simpleContent>
</xsd:complexType>
<xsd:complexType name="ValueType">
  <xsd:annotation>
    <xsd:documentation xml:lang="en">
      <ccts:Acronym>CCT</ccts:Acronym>
      <ccts:PrimaryRepresentationTerm>Decimal</ccts:PrimaryRepresentationTerm>
    </xsd:documentation>
  </xsd:annotation>
  <xsd:simpleContent>
    <xsd:extension base="xsd:decimal">
      <xsd:attribute name="Format" type="xsd:string" use="optional">
        <xsd:annotation>

```

```

        <xsd:documentation xml:lang="en">
            <ccts:Acronym>SC</ccts:Acronym>
            <ccts:Cardinality>0..1</ccts:Cardinality>
        </xsd:documentation>
    </xsd:annotation>
</xsd:attribute>
</xsd:extension>
</xsd:simpleContent>
</xsd:complexType>
<xsd:complexType name="PercentType">
    <xsd:annotation>
        <xsd:documentation xml:lang="en">
            <ccts:Acronym>CCT</ccts:Acronym>
            <ccts:PrimaryRepresentationTerm>Decimal</ccts:PrimaryRepresentationTerm>
        </xsd:documentation>
    </xsd:annotation>
    <xsd:simpleContent>
        <xsd:extension base="xsd:decimal">
            <xsd:attribute name="Format" type="xsd:string" use="optional">
                <xsd:annotation>
                    <xsd:documentation xml:lang="en">
                        <ccts:Acronym>SC</ccts:Acronym>
                        <ccts:Cardinality>0..1</ccts:Cardinality>
                    </xsd:documentation>
                </xsd:annotation>
            </xsd:attribute>
        </xsd:extension>
    </xsd:simpleContent>
</xsd:complexType>
<xsd:complexType name="RateType">
    <xsd:annotation>
        <xsd:documentation xml:lang="en">
            <ccts:Acronym>CCT</ccts:Acronym>
            <ccts:PrimaryRepresentationTerm>Decimal</ccts:PrimaryRepresentationTerm>
        </xsd:documentation>
    </xsd:annotation>
    <xsd:simpleContent>
        <xsd:extension base="xsd:decimal">
            <xsd:attribute name="Format" type="xsd:string" use="optional">
                <xsd:annotation>
                    <xsd:documentation xml:lang="en">
                        <ccts:Acronym>SC</ccts:Acronym>
                        <ccts:Cardinality>0..1</ccts:Cardinality>
                    </xsd:documentation>
                </xsd:annotation>
            </xsd:attribute>
        </xsd:extension>
    </xsd:simpleContent>
</xsd:complexType>
<xsd:complexType name="QuantityType">
    <xsd:annotation>
        <xsd:documentation xml:lang="en">
            <ccts:Acronym>CCT</ccts:Acronym>
            <ccts:PrimaryRepresentationTerm>Decimal</ccts:PrimaryRepresentationTerm>
        </xsd:documentation>
    </xsd:annotation>
    <xsd:simpleContent>
        <xsd:extension base="xsd:decimal">
            <xsd:attribute name="QuantityUnitCode" type="xsd:string" use="optional">
                <xsd:annotation>
                    <xsd:documentation xml:lang="en">
                        <ccts:Acronym>SC</ccts:Acronym>
                        <ccts:Cardinality>0..1</ccts:Cardinality>
                    </xsd:documentation>
                </xsd:annotation>
            </xsd:attribute>
            <xsd:attribute name="QuantityUnitCodeListAgencyIdentifier" type="xsd:string" use="optional">
                <xsd:annotation>
                    <xsd:documentation xml:lang="en">
                        <ccts:Acronym>SC</ccts:Acronym>
                        <ccts:Cardinality>0..1</ccts:Cardinality>
                    </xsd:documentation>
                </xsd:annotation>
            </xsd:attribute>
            <xsd:attribute name="QuantityUnitCodeListAgencyName" type="xsd:string" use="optional">
                <xsd:annotation>
                    <xsd:documentation xml:lang="en">
                        <ccts:Acronym>SC</ccts:Acronym>
                        <ccts:Cardinality>0..1</ccts:Cardinality>
                    </xsd:documentation>
                </xsd:annotation>
            </xsd:attribute>
        </xsd:extension>
    </xsd:simpleContent>
</xsd:complexType>

```

```

        </xsd:documentation>
      </xsd:annotation>
    </xsd:attribute>
    <xsd:attribute name="QuantityUnitCodeListIdentifier" type="xsd:string" use="optional">
      <xsd:annotation>
        <xsd:documentation xml:lang="en">
          <ccts:Acronym>SC</ccts:Acronym>
          <ccts:Cardinality>0..1</ccts:Cardinality>
        </xsd:documentation>
      </xsd:annotation>
    </xsd:attribute>
  </xsd:extension>
</xsd:simpleContent>
</xsd:complexType>
<xsd:complexType name="TextType">
  <xsd:annotation>
    <xsd:documentation xml:lang="en">
      <ccts:Acronym>CCT</ccts:Acronym>
      <ccts:PrimaryRepresentationTerm>String</ccts:PrimaryRepresentationTerm>
    </xsd:documentation>
  </xsd:annotation>
  <xsd:simpleContent>
    <xsd:extension base="xsd:string">
      <xsd:attribute name="LanguageIdentifier" type="xsd:string" use="optional">
        <xsd:annotation>
          <xsd:documentation xml:lang="en">
            <ccts:Acronym>SC</ccts:Acronym>
            <ccts:Cardinality>0..1</ccts:Cardinality>
          </xsd:documentation>
        </xsd:annotation>
      </xsd:attribute>
      <xsd:attribute name="LanguageLocaleIdentifier" type="xsd:string" use="optional">
        <xsd:annotation>
          <xsd:documentation xml:lang="en">
            <ccts:Acronym>SC</ccts:Acronym>
            <ccts:Cardinality>0..1</ccts:Cardinality>
          </xsd:documentation>
        </xsd:annotation>
      </xsd:attribute>
    </xsd:extension>
  </xsd:simpleContent>
</xsd:complexType>
<xsd:complexType name="NameType">
  <xsd:annotation>
    <xsd:documentation xml:lang="en">
      <ccts:Acronym>CCT</ccts:Acronym>
      <ccts:PrimaryRepresentationTerm>String</ccts:PrimaryRepresentationTerm>
    </xsd:documentation>
  </xsd:annotation>
  <xsd:simpleContent>
    <xsd:extension base="xsd:string">
      <xsd:attribute name="LanguageIdentifier" type="xsd:string" use="optional">
        <xsd:annotation>
          <xsd:documentation xml:lang="en">
            <ccts:Acronym>SC</ccts:Acronym>
            <ccts:Cardinality>0..1</ccts:Cardinality>
          </xsd:documentation>
        </xsd:annotation>
      </xsd:attribute>
      <xsd:attribute name="LanguageLocaleIdentifier" type="xsd:string" use="optional">
        <xsd:annotation>
          <xsd:documentation xml:lang="en">
            <ccts:Acronym>SC</ccts:Acronym>
            <ccts:Cardinality>0..1</ccts:Cardinality>
          </xsd:documentation>
        </xsd:annotation>
      </xsd:attribute>
    </xsd:extension>
  </xsd:simpleContent>
</xsd:complexType>
</xsd:schema>

```

Examples: Food Performance Data XML Instance

The following instances represent typical sets of information that will be sent via the EPG to the repository. When the first sets of data are sent due on 1 January 2011, all actively registered premises will need to be submitted. For that reason, an example of a transaction for a premises on its own will illustrate this simplest case for a transaction.

Example 1 : Instance of a single premises active with no other history.

Note, that for a premises open on 1 July 2010 that gets reported on or before 1 January 2011, here are typical details for the relevant data elements, followed by the XML instance that would be submitted with this information.

AgencyIdentifier = 2120
DataCollectionCode = FOODPR
DataTransmissionID = 10.15am 31 December 2010
RecordCount = 1
PortionNumber = 1
ReportingPeriodCalenderYearQuarter = 2010Q3
TransmissionFileNumber = 1
VersionIdentifier = 0.97
CouncilIdentification = 2120
CouncilRegistrationNumber = 215
FoodSafetyProgram = 10
RegistrationDate = 1 July 2010
FoodBusinessClassification = 201
Type = 103
CurrentRegistration_Status:Registration_Condition = 11
CurrentRegistration_Status:RegistrationPeriod:Start = 1 July 2010

Note that the RegistrationPeriod:End can be empty as are the Historical Registration fields in this instance.

The XML Coded Instance for submission corresponding to this will be as shown here. For the first time data sent covering 1 July 2010 to 31 December 2010, this is the simplest possible valid transaction; namely for an existing registered premises with no other actions for the quarter.

```
<?xml version="1.0" encoding="UTF-8"?>
<!--Sample XML file generated by XMLSpy v2010 (http://www.altova.com)-->
<doc:PerformanceReport xsi:schemaLocation="urn:dhs:doc:PerformanceReporting.0.97
PerformanceReport.doc.0.97.xsd" xmlns:xsi="http://www.w3.org/2001/XMLSchema-instance"
xmlns:bie9="urn:dhs:data:CommonAggregates:0.97" xmlns:bie1="urn:dhs:data:FoodHealthAggregates:0.97"
xmlns:doc="urn:dhs:doc:PerformanceReporting.0.97">
  <doc:FPFileHeader>
    <doc:AgencyIdentifier>2120</doc:AgencyIdentifier>
    <doc>DataCollectionCode>FOODPR</doc>DataCollectionCode>
    <doc>DataTransmissionID>201012311015</doc>DataTransmissionID>
    <doc:RecordCount>1</doc:RecordCount>
    <doc:PortionNumber>1</doc:PortionNumber>
    <doc:ReportingPeriodCalenderYearQuarter>2010Q3</doc:ReportingPeriodCalenderYearQuarter>
    <doc:TransmissionFileNumber>0.0</doc:TransmissionFileNumber>
    <doc:VersionIdentifier>0.97</doc:VersionIdentifier>
    <doc:Food_Premises>
      <bie1:CouncilRegistrationNumber>215</bie1:CouncilRegistrationNumber>
      <bie1:FoodSafetyProgram>10</bie1:FoodSafetyProgram>
      <bie1:RegistrationDate>01072010</bie1:RegistrationDate>
      <bie1:FoodBusinessClassification>201</bie1:FoodBusinessClassification>
      <bie1:Type>103</bie1:Type>
      <bie1:Current_Registration_Status>
```



```

        <bie9:Current_Registration_Condition>11</bie9:Current_Registration_Condition>
        <bie9:RegistrationCurrent_Period>
            <bie9:Current_Start>01072010</bie9:Current_Start>
        </bie9:RegistrationCurrent_Period>
    </bie1:Current_Registration_Status>
</doc:Food_Premises>
</doc:FPFileHeader>
</doc:PerformanceReport>

```

Generic Instance XML Document

The following example represents a generic instance sent via the EPG to the repository. It caters for the unlikely event where we are reporting a premises that has a single entry against each of: Current Registration, Historical Registration, Audit Assessment, Inspection, Enforcement, Prosecution, Verdict, Complaint and Food Recall.

```

<?xml version="1.0" encoding="UTF-8"?>
<!--Sample XML file generated by XMLSpy v2010 (http://www.altova.com)-->
<doc:PerformanceReport xsi:schemaLocation="urn:dhs:doc:PerformanceReporting.0.97 PerformanceReport.doc.0.97.xsd"
xmlns:xsi="http://www.w3.org/2001/XMLSchema-instance" xmlns:bie9="urn:dhs:data:CommonAggregates.0.97"
xmlns:bie1="urn:dhs:data:FoodHealthAggregates.0.97" xmlns:doc="urn:dhs:doc:PerformanceReporting.0.97">
    <doc:FPFileHeader>
        <doc:AgencyIdentifier>2120</doc:AgencyIdentifier>
        <doc:DataCollectionCode>FOODFP</doc:DataCollectionCode>
        <doc:DataTransmissionID>String</doc:DataTransmissionID>
        <doc:RecordCount>1</doc:RecordCount>
        <doc:PortionNumber>1</doc:PortionNumber>
        <doc:ReportingPeriodCalendarYearQuarter>2010Q3</doc:ReportingPeriodCalendarYearQuarter>
        <doc:TransmissionFileNumber>0.0</doc:TransmissionFileNumber>
        <doc:VersionIdentifier>0.97</doc:VersionIdentifier>
        <doc:Food_Premises>
            <bie1:CouncilRegistrationNumber>String</bie1:CouncilRegistrationNumber>
            <bie1:FoodSafetyProgram>10</bie1:FoodSafetyProgram>
            <bie1:RegistrationDate>String</bie1:RegistrationDate>
            <bie1:FoodBusinessClassification>200</bie1:FoodBusinessClassification>
            <bie1:Type>100</bie1:Type>
            <bie1:WaterSupply>10</bie1:WaterSupply>
            <bie1:Current_Registration_Status>
                <bie9:Current_Description>String</bie9:Current_Description>
                <bie9:Current_Registration_Condition>10</bie9:Current_Registration_Condition>
                <bie9:RegistrationCurrent_Period>
                    <bie9:Current_Start>String</bie9:Current_Start>
                    <bie9:Current_End>String</bie9:Current_End>
                </bie9:RegistrationCurrent_Period>
            </bie1:Current_Registration_Status>
            <bie1:Historical_Registration_Status>
                <bie9:Historical_Description>String</bie9:Historical_Description>
                <bie9:Historical_Registration_Condition>10</bie9:Historical_Registration_Condition>
                <bie9:RegistrationHistorical_Period>
                    <bie9:Historical_Start>String</bie9:Historical_Start>
                    <bie9:Historical_End>String</bie9:Historical_End>
                </bie9:RegistrationHistorical_Period>
            </bie1:Historical_Registration_Status>
            <bie1:AuditAssessment>
                <bie1:ID>String</bie1:ID>
                <bie1:ConductedDate>String</bie1:ConductedDate>
                <bie1:PerformedBy>10</bie1:PerformedBy>
                <bie1:AuditorID>String</bie1:AuditorID>
                <bie1:Result>10</bie1:Result>
                <bie1:Type>10</bie1:Type>
            </bie1:AuditAssessment>
            <bie1:Inspection>
                <bie1:ID>String</bie1:ID>
                <bie1:AuditAssessmentID>String</bie1:AuditAssessmentID>
                <bie1:EnforcementID>String</bie1:EnforcementID>
                <bie1:InspectionDate>String</bie1:InspectionDate>
                <bie1:Result>13</bie1:Result>
                <bie1:Type>1210</bie1:Type>
            </bie1:Inspection>
            <bie1:Enforcement>
                <bie1:ID>String</bie1:ID>

```

```
<bie1:AuditAssessmentID>String</bie1:AuditAssessmentID>
<bie1:InspectionID>String</bie1:InspectionID>
<bie1:ActionDate>String</bie1:ActionDate>
<bie1:Action>10</bie1:Action>
<bie1:Type>10</bie1:Type>
</bie1:Enforcement>
<bie1:Prosecution>
  <bie1:ID>String</bie1:ID>
  <bie1:EnforcementID>String</bie1:EnforcementID>
  <bie1:InspectionID>String</bie1:InspectionID>
  <bie1:InitialCourtAppearanceDate>String</bie1:InitialCourtAppearanceDate>
  <bie1:Type>71</bie1:Type>
</bie1:Prosecution>
<bie1:Verdict>
  <bie1:ID>String</bie1:ID>
  <bie1:ProsecutionID>String</bie1:ProsecutionID>
  <bie1:VerdictDate>String</bie1:VerdictDate>
  <bie1:NatureOfSentence>String</bie1:NatureOfSentence>
  <bie1:Type>12</bie1:Type>
</bie1:Verdict>
<bie1:Complaint>
  <bie1:ID>String</bie1:ID>
  <bie1:ComplaintReceivedDate>String</bie1:ComplaintReceivedDate>
  <bie1:Category>10</bie1:Category>
</bie1:Complaint>
<bie1:FoodRecall>
  <bie1:ID>String</bie1:ID>
  <bie1:RecallDate>String</bie1:RecallDate>
  <bie1:Type>10</bie1:Type>
</bie1:FoodRecall>
</doc:Food_Premises>
</doc:FPFileHeader>
</doc:PerformanceReport>
```

Transmission File Name Format

Purpose: To uniquely identify each transmission file received by the RRHACS Data Repository.

Format: CCCCCCAAAAAYYYMMDDHHMMTTXXXXX.FFF

The Submission File Name is always 27 characters long (31 characters when including separator `.` and file extension).

where:

Data	Item Name	Example	Description
CCCCCC	COLLECTION IDENTIFER	FOODPR	This identifier is used by the Repository to determine which database the data is to be written to. <u>Note:</u> Where the Collection Identifier is less than 6 characters long it is right-filled with the underscore (_) character.
AAAAA	AGENCY IDENTIFIER	00627	Agency Identifier and Council – ID are synonym in the context of this data dictionary. This item is used to update the compliance statistics for the agency submitting the data. <u>Note:</u> Where the Agency Identifier is less than 5 characters long, it is left-filled with zeros (0).
YYYYMMDDHHMM	Data Transmission Identifier	20080701230	This item is used to update the compliance statistics for the submission date and time. <u>Construction:</u> data submitted at 10:30PM on 1 July 2008 is 200807012230
TT	TRANSMISSION NUMBER	01	This item is used by the Repository to determine whether the file is a <i>replacement</i> to previously received for the collection period. Previously loaded files for the same collection period will be overwritten by a file with a higher transmission number. <u>Construction:</u> The first transmission of a quarter's data is submitted as `01`. If there are errors and a resubmission of that quarter's data is required, the second transmission file highlights this with an incremented transmission number, eg `02`.
XXX	TRANSMISSION RECORD COUNT	500	This item is a number between 1 and 500 and is a count of the number of premises in the file portion. As an XML transaction this is a maximum of 500 premises.

XX	EXPORT FILE PORTION	01	<p>This item is used by the Repository to determine whether the file is <i>additional</i> to previously received data for the current collection period. Increments in the file portion number cause files to be appended to, rather than written over, previously loaded files.</p> <p><u>Construction:</u> If a month's data is submitted in four weekly portions, the Export File Portion is used to highlight this. The first week's data would have a file portion '01', the next week's data '02', and so on to '04'.</p>
FFF	FILE EXTENSION i.e. XML	XML	XML identifies the file format as an XML instance file

Example: Agency (ID = 627) submits the second file portion for a file first transmitted at 10:30PM on 1 July 2006, for a third time in XML format. That is: Data Transmission Identifier= 200807012230; Transmission No = 03; containing 366 records, and Export File Portion = 02. The resulting Submission File Name would be FOODPR006272008070122300336602.xml.

Comment [R1]: This example has been updated to match the order in the table above.